

User's and Programmer's Reference Volume 1 Core Spectrum Analyzer Functions

PSA Series Spectrum Analyzers

Refer to Volume 2 for one-button power measurements information.

This manual provides documentation for the following instruments:

Agilent Technologies PSA Series

E4440A (3 Hz - 26.5 GHz)

E4443A (3 Hz - 6.7 GHz)

E4445A (3 Hz - 13.2 GHz)

E4446A (3 Hz - 44.5 GHz)

E4447A (3 Hz - 42.98 GHz)

E4448A (3 Hz - 51.0 GHz)



Manufacturing Part Number: E4440-90275

Supersedes: E4440-90243

Printed in USA

May 2005

© Copyright 2001-2005 Agilent Technologies, Inc.

Legal Information

The information contained in this document is subject to change without notice.

Agilent Technologies makes no warranty of any kind with regard to this material, including but not limited to, the implied warranties of merchantability and fitness for a particular purpose. Agilent Technologies shall not be liable for errors contained herein or for incidental or consequential damages in connection with the furnishing, performance, or use of this material.

Where to Find the Latest Information

Documentation is updated periodically.

- For the latest information about Agilent Technologies PSA Spectrum Analyzers, including firmware upgrades and application information, please visit the following Internet URL:
<http://www.agilent.com/find/psa>

1. Using This Document

About the User's and Programmer's Information	30
What is in This Book	30
Terms Used in This Book	31

2. Instrument Functions: A – L

AMPLITUDE / Y Scale	35
Ref Level	35
Attenuation	36
Scale/Div	37
Scale Type	38
Presel Center	38
Presel Adjust	40
Y Axis Units	43
Ref Lvl Offset	49
Int Preamp	50
Corrections	51
Ext Amp Gain	56
Atten Step	57
Max Mixer Lvl	58
Auto Couple	59
Auto All	59
FFT & Sweep	60
PhNoise Opt	65
Detector	67
Avg/VBW Type	67
ADC Dither	67
ADC Ranging	70
BW/Avg	73
Res BW	73
Video BW	75
VBW/RBW	76
Average	78
Avg/VBW Type	79
Span/RBW	82
Det/Demod	85
Detector	85
Display	97
Full Screen	97
Display Line	98
Active Fctn Position	98
Limits	102
Title	116
Preferences	117
Display Enable (Remote Command Only)	118
File	119
Catalog	122
Save	126
Load	133

Contents

Delete	138
Copy	139
Rename	141
Create Dir	143
Delete All	145
Query Trace Data (Remote Command Only)	145
Move Data to a File (Remote Command Only)	146
Set Data Byte Order (Remote Command Only)	147
Format Numeric Data (Remote Command Only)	147
FREQUENCY / Channel	149
Center Freq	150
Start Freq	151
Stop Freq	152
CF Step	153
Freq Offset	154
Signal Track	155
Input/Output	157
Input Port	157
RF Coupling	158
Input Mixer (Option AYZ only)	158
321.4 MHz IF Out Opt	159
Microwave Preselector	160
Ext Mix Band (Option AYZ only)	161
Signal ID (Option AYZ only)	166
Signal ID Mode	167
Mixer Config	168

3. Instrument Functions: M – O

Marker	173
Select Marker	175
Normal	175
Delta	176
Delta Pair	177
Span Pair	178
Off	181
Marker Trace	182
Readout	183
Marker Table	185
Marker All Off	185
Marker Fctn	187
Select Marker	187
Marker Noise	187
Band/Intvl Power	189
Function Off	190
Marker Count	190
Marker ->	193
Mkr->CF	193
Mkr->CF Step	193
Mkr->Start	194

Mkr->Stop	194
MkrΔ->Span	195
MkrΔ->CF	195
Mkr->Ref Lvl	196
MEASURE (Spectrum Analysis Mode)	197
Measurement Setup	198
Meas Control	199
Restart	199
Measure	200
Pause or Resume	200
Trigger a Sweep or Measurement (Remote Command Only)	201
Abort the Sweep or Measurement (Remote Command Only)	202
MODE and Mode Setup	203
Spectrum Analysis	204
Application Mode Number Selection (Remote command only)	205
Application Mode Catalog Query (Remote command only)	206
Mode Setup (Spectrum Analysis Mode)	207

4. Instrument Functions: P – Z

Peak Search	211
Next Peak	212
Next Pk Right	212
Next Pk Left	213
Min Search	213
Pk-Pk Search	213
Mkr->CF	214
Continuous Pk	214
Search Param	214
Preset	219
User Preset	220
Mode Preset	221
Factory Preset	221
Save User Preset	222
Print	223
Abort the Printout (Remote Command Only)	223
Print Setup	224
Restart	229
Save	231
Single	233
SPAN / X Scale	235
Span	235
Span Zoom	236
Full Span	236
Zero Span	236
Last Span	237
SWEEP	239
Sweep Time	239
Sweep	240
Auto Sweep Time	241

Contents

Gate	242
Gate Setup	244
Points	248
System	251
Show Errors	251
Power On/Preset	253
Time/Date	258
Alignments	260
Config I/O	268
Reference	274
Show System	275
Show Hdwr	276
Color Palette	277
Diagnostics	279
Restore Sys Defaults	279
Licensing	281
Personality	284
Service	285
Keyboard Lock (Remote Command Only)	285
Remote Message	285
Remote Message Turned Off	286
Power On Elapsed Time (Remote Command Only)	286
SCPI Version Query (Remote Command Only)	286
Trace/View	287
Send/Query Trace Data (Remote Command Only)	288
Trace	289
Clear Write	290
Max Hold	290
Min Hold	290
View	291
Blank	291
Operations	291
Trig	299
Free Run	300
Video	300
Line	301
Ext Front (Ext Trig In)	301
Ext Rear (Trigger In)	302
RF Burst (Wideband)	302
Trig Slope	302
Trig Delay	303
Trig Offset (Remote Command Only)	304
5. Programming Fundamentals	
SCPI Language Basics	309
Command Keywords and Syntax	309
Creating Valid Commands	309
Special Characters in Commands	310
Parameters in Commands	312

Putting Multiple Commands on the Same Line	314
Improving Measurement Speed.	317
Turn off the display updates.	317
Use binary data format instead of ASCII	317
Minimize the number of GPIB transactions.	318
Avoid unnecessary use of *RST.	318
Put ADC Ranging in Bypass for FFT Measurements	319
Minimize DUT/instrument setup changes.	319
Consider using LAN instead of GPIB.	319
Using an Option Mode: Minimize the number of GPIB transactions.	319
Using an Option Mode: Avoid automatic attenuator setting.	320
Using an Option Mode: Optimize your GSM output RF spectrum switching measurement.	321
Using an Option Mode: Avoid using RFBurst trigger for single burst signals.	321
Using an Option Mode: When making power measurements on multiple bursts or slots, use CALCulate:DATA<n>:COMPRESS?	322
Programming Command Compatibility	
Across Model Numbers and Across Modes	324
Across PSA Modes: Command Subsystem Similarities	324
Across PSA Modes: Specific Command Differences	326
Using Applications in PSA Series vs. VSA E4406A	327
Using the LAN to Control the Instrument	329
Using ftp for File Transfers	329
Using Telnet to Send Commands	332
Using Socket LAN to Send Commands	336
Using SICL LAN to Control the Instrument.	337
Using HP/Agilent VEE Over Socket LAN	342
Using a Java™ Applet Over Socket LAN	344
Using a C Program Over Socket LAN	344
General LAN Troubleshooting	344
Programming in C Using the VTL	352
Typical Example Program Contents	352
Linking to VTL Libraries	353
Compiling and Linking a VTL Program	353
Example Program	355
Including the VISA Declarations File	355
Opening a Session.	355
Device Sessions	356
Addressing a Session	357
Closing a Session.	359
Overview of the GPIB Bus	360
GPIB Command Statements	360
6. Using the STATUS System	
Status System Commands	364
Using the Status Registers	367
What Status Registers Are	367
Why to Use the Status Registers	369
Using a Status Register	370

Contents

Using the Service Request (SRQ) Method	371
Status Byte Register	375
Standard Event Status Register	378
Operation and Questionable Status Registers	380
CommonUsing the STATus System IEEE Commands	383
Calibration Query	383
Clear Status	383
Standard Event Status Enable	383
Standard Event Status Register Query	384
Identification Query	384
Instrument State Query	385
Operation Complete	385
Query Instrument Options	385
Power-On Status Clear	387
Recall	387
Reset	388
Save	388
Service Request Enable	388
Read Status Byte Query	389
Trigger	389
Self Test Query	389
Wait-to-Continue	390
STATus Subsystem	391
Operation Register	391
Preset the Status Byte	393
Questionable Register	393
Questionable Calibration Register	395
Questionable Frequency Register	396
Questionable Integrity Register	398
Questionable Integrity Signal Register	400
Questionable Integrity Uncalibrated Register	401
Questionable Power Register	403
Questionable Temperature Register	405

7. Menu Maps: Spectrum Analysis

Directions for Use	408
Alpha Editor Keys, 1 of 2	409
AMPLITUDE Y Scale Key, 1 of 2 (See page 35)	411
Auto Couple Key, 1 of 3 (See page 59)	413
BW/Avg Key (See page 73)	416
Det/Demod Key (See page 85)	417
Display Key, 1 of 2 (See page 97)	418
File Key, 1 of 6 (See page 119)	420
FREQUENCY Channel Key (See page 149)	426
Input/Output Key (See page 157)	427
Marker Key (See page 173)	429
Marker --> Key (See page 193)	430
Marker Fctn Key (See page 187)	431
MODE Key (See page 197)	432

Peak Search Key (See page 211)	433
Preset Key (See page 219)	434
Print Setup Key (See page 215)	435
SPAN X Scale Key (See page 235)	436
Sweep Key (See page 239)	437
System Key, 1 of 4 (See page 251)	438
Trace/View Key (See page 287)	442
Trig Key (See page 299)	443

Contents

List of Commands

:TRACe3:DISPlay:	297
*CAL?	383
*CLS	252
*CLS	383
*ESE <number>	383
*ESE?	383
*ESR?	384
*IDN?	384
*OPC	385
*OPC?	385
*PSC	387
*PSC?	387
*RCL <register>	387
*RST	388
*SAV <register>	388
*SRE <integer>	388
*SRE?	388
*STB?	389
*TRG	389
*TST?	263
*TST?	389
*WAI	390
:ABORT	202
:CALCulate:LLINe:ALL:DELeTe	116
:CALCulate:LLINe:CMODe FIXed RELative	115
:CALCulate:LLINe:CMODe?	115
:CALCulate:LLINe:CONTRol:DOMain FREQuency TIME	114
:CALCulate:LLINe:CONTRol:DOMain?	114
:CALCulate:LLINe[1] 2:AMPLitude:INTerpolate:TYPE LOGarithmic LINear	113
:CALCulate:LLINe[1] 2:AMPLitude:INTerpolate:TYPE?	113

List of Commands

:CALCulate:LLINe[1] 2:CONTRol:INTerpolate:TYPE LOGarithmic LINear.	112
:CALCulate:LLINe[1] 2:CONTRol:INTerpolate:TYPE?.	112
:CALCulate:LLINe[1] 2:DATA <x-axis>, <ampl>, <connected>{,<x-axis>,<ampl>,<connected>}	102
:CALCulate:LLINe[1] 2:DATA:MERGe <x-axis>, <ampl>, <connected>{,<x-axis>,<ampl>,<connected>}	103
:CALCulate:LLINe[1] 2:DATA?	102
:CALCulate:LLINe[1] 2:DELeTe.	111
:CALCulate:LLINe[1] 2:DISPlay	104
:CALCulate:LLINe[1] 2:DISPlay?	104
:CALCulate:LLINe[1] 2:FAIL?.	105
:CALCulate:LLINe[1] 2:MARGin <ampl_rel>	107
:CALCulate:LLINe[1] 2:MARGin:STATe OFF ON 0 1	107
:CALCulate:LLINe[1] 2:MARGin:STATe?.	107
:CALCulate:LLINe[1] 2:MARGin?.	107
:CALCulate:LLINe[1] 2:STATe OFF ON 0 1	105
:CALCulate:LLINe[1] 2:STATe?.	105
:CALCulate:LLINe[1] 2:TYPE UPPer LOWer.	104
:CALCulate:LLINe[1] 2:TYPE?	104
:CALCulate:MARKer:AOFF	185
:CALCulate:MARKer:FCOunt:GATetime <time>	192
:CALCulate:MARKer:FCOunt:GATetime:AUTO OFF ON 0 1	192
:CALCulate:MARKer:FCOunt:GATetime:AUTO?	192
:CALCulate:MARKer:FCOunt:GATetime?.	192
:CALCulate:MARKer:PEAK[1] 2 3 4:SEARch:MODE PARAmeter MAXimum.	217
:CALCulate:MARKer:PEAK[1] 2 3 4:SEARch:MODE?	217
:CALCulate:MARKer:TABLE:STATe OFF ON 0 1	185
:CALCulate:MARKer:TABLE:STATe?.	185
:CALCulate:MARKer[1] 2 3 4:CPEak[:STATe] OFF ON 0 1	214
:CALCulate:MARKer[1] 2 3 4:CPEak[:STATe]?	214
:CALCulate:MARKer[1] 2 3 4:FCOunt:X?	191
:CALCulate:MARKer[1] 2 3 4:FCOunt[:STATe] OFF ON 0 1.	191

List of Commands

:CALCulate:MARKer[1] 2 3 4:FCOunt[:STATe]?	191
:CALCulate:MARKer[1] 2 3 4:FUNcTION BPOWer NOISe OFF	187
:CALCulate:MARKer[1] 2 3 4:FUNcTION?	187
:CALCulate:MARKer[1] 2 3 4:MAXimum	211
:CALCulate:MARKer[1] 2 3 4:MAXimum:LEFT	213
:CALCulate:MARKer[1] 2 3 4:MAXimum:NEXT	212
:CALCulate:MARKer[1] 2 3 4:MAXimum:RIGHt	212
:CALCulate:MARKer[1] 2 3 4:MINimum	213
:CALCulate:MARKer[1] 2 3 4:MODE POSition DELTA BAND SPAN OFF	174
:CALCulate:MARKer[1] 2 3 4:MODE?	174
:CALCulate:MARKer[1] 2 3 4:PEAK:EXcursion <rel_amplitude>	215
:CALCulate:MARKer[1] 2 3 4:PEAK:EXcursion?	215
:CALCulate:MARKer[1] 2 3 4:PEAK:THReshold <ampl>	216
:CALCulate:MARKer[1] 2 3 4:PEAK:THReshold?	216
:CALCulate:MARKer[1] 2 3 4:PTPeak	213
:CALCulate:MARKer[1] 2 3 4:STATe OFF ON 0 1	175
:CALCulate:MARKer[1] 2 3 4:STATe?	175
:CALCulate:MARKer[1] 2 3 4:TRACe 1 2 3	182
:CALCulate:MARKer[1] 2 3 4:TRACe:AUTO OFF ON 0 1	182
:CALCulate:MARKer[1] 2 3 4:TRACe:AUTO?	182
:CALCulate:MARKer[1] 2 3 4:TRACe?	182
:CALCulate:MARKer[1] 2 3 4:TRCKing[:STATe] OFF ON 0 1	156
:CALCulate:MARKer[1] 2 3 4:TRCKing[:STATe]?	156
:CALCulate:MARKer[1] 2 3 4:X <param>	174
:CALCulate:MARKer[1] 2 3 4:X:CENTer <param>	180
:CALCulate:MARKer[1] 2 3 4:X:CENTer?	180
:CALCulate:MARKer[1] 2 3 4:X:POSition:CENTer <param>	180
:CALCulate:MARKer[1] 2 3 4:X:POSition:CENTer?	180
:CALCulate:MARKer[1] 2 3 4:X:POSition:SPAN <param>	180
:CALCulate:MARKer[1] 2 3 4:X:POSition:SPAN?	180
:CALCulate:MARKer[1] 2 3 4:X:POSition:STARt <integer>	178

List of Commands

:CALCulate:MARKer[1] 2 3 4:X:POSition:START?	178
:CALCulate:MARKer[1] 2 3 4:X:POSition:STOP <integer>	178
:CALCulate:MARKer[1] 2 3 4:X:POSition:STOP?	178
:CALCulate:MARKer[1] 2 3 4:X:READout FREQuency TIME ITIME PERiod	183
:CALCulate:MARKer[1] 2 3 4:X:READout?	183
:CALCulate:MARKer[1] 2 3 4:X:SPAN <param>	180
:CALCulate:MARKer[1] 2 3 4:X:SPAN?	181
:CALCulate:MARKer[1] 2 3 4:X:STARt <param>	178
:CALCulate:MARKer[1] 2 3 4:X:STARt?	178
:CALCulate:MARKer[1] 2 3 4:X:STOP <param>	178
:CALCulate:MARKer[1] 2 3 4:X:STOP?	178
:CALCulate:MARKer[1] 2 3 4:X?	174
:CALCulate:MARKer[1] 2 3 4:Y?	174
:CALCulate:MARKer[1] 2 3 4[:SET]:CENTer	193
:CALCulate:MARKer[1] 2 3 4[:SET]:DELTA:CENTer	195
:CALCulate:MARKer[1] 2 3 4[:SET]:DELTA:SPAN	195
:CALCulate:MARKer[1] 2 3 4[:SET]:RLEVel	196
:CALCulate:MARKer[1] 2 3 4[:SET]:STARt	194
:CALCulate:MARKer[1] 2 3 4[:SET]:STEP	193
:CALCulate:MARKer[1] 2 3 4[:SET]:STOP	194
:CALCulate:NTData[:STATe] OFF ON 0 1	296
:CALCulate:NTData[:STATe]?	296
:CALibration:ADC	266
:CALibration:ADC?	266
:CALibration:AUTO OFF ON ALERt	262
:CALibration:AUTO?	262
:CALibration:DATA:DEFault	267
:CALibration:FLATness:IF	266
:CALibration:FLATness:IF?	266
:CALibration:FREQuency[:STATe] OFF ON 0 1	263
:CALibration:FREQuency[:STATe]?	263

List of Commands

:CALibration:GAIN:CSYSstem	267
:CALibration:GAIN:CSYSstem?	267
:CALibration:IF	265
:CALibration:IF?	265
:CALibration:RF	265
:CALibration:RF?	265
:CALibration:TCORrections AUTO ON OFF	268
:CALibration[:ALL]	262
:CALibration[:ALL]?	262
:COUPle ALL NONE	60
:COUPle?	60
:DISPlay:AFUNction:POSition BOTtom	101
:DISPlay:AFUNction:POSition BOTTom CENTer TOP	99
:DISPlay:AFUNction:POSition CENTer	100
:DISPlay:AFUNction:POSition TOP	99
:DISPlay:AFUNction:POSition?	99
:DISPlay:ANNotation:CLOCK:DATE:FORMat MDY DMY	259
:DISPlay:ANNotation:CLOCK:DATE:FORMat?	259
:DISPlay:ANNotation:CLOCK[:STATe] ON OFF	258
:DISPlay:ANNotation:CLOCK[:STATe]?	258
:DISPlay:ANNotation:TITLe:DATA <string>	116
:DISPlay:ANNotation:TITLe:DATA?	116
:DISPlay:ENABle OFF ON 0 1	118
:DISPlay:ENABle?	118
:DISPlay:FSCReen[:STATe] OFF ON 0 1	97
:DISPlay:FSCReen[:STATe]?	97
:DISPlay:WINDow:ANNotation[:ALL] OFF ON 0 1	118
:DISPlay:WINDow:ANNotation[:ALL]?	118
:DISPlay:WINDow:TRACe:Y:DLINe <ampl>	98
:DISPlay:WINDow:TRACe:Y:DLINe:STATe OFF ON 0 1	98
:DISPlay:WINDow:TRACe:Y:DLINe:STATe?	98

List of Commands

:DISPlay:WINDow:TRACe:Y:DLINe?98
:DISPlay:WINDow:TRACe:Y[:SCALe]:NRPosition <integer>297
:DISPlay:WINDow:TRACe:Y[:SCALe]:NRPosition?297
:DISPlay:WINDow[1]:TRACe:Y[:SCALe]:PDIVision <power>37
:DISPlay:WINDow[1]:TRACe:Y[:SCALe]:PDIVision?37
:DISPlay:WINDow[1]:TRACe:Y[:SCALe]:RLEVel <ampl>36
:DISPlay:WINDow[1]:TRACe:Y[:SCALe]:RLEVel:OFFSet <rel_power>50
:DISPlay:WINDow[1]:TRACe:Y[:SCALe]:RLEVel:OFFSet?50
:DISPlay:WINDow[1]:TRACe:Y[:SCALe]:RLEVel?36
:DISPlay:WINDow[1]:TRACe:Y[:SCALe]:SPACing LINear LOGarithmic38
:DISPlay:WINDow[1]:TRACe:Y[:SCALe]:SPACing?38
:FORMat:BORDER NORMAl SWAPped147
:FORMat:BORDER?147
:FORMat[:TRACe][:DATA] ASCii INTeger,32 REAL,32 REAL,64148
:FORMat[:TRACe][:DATA]?148
:HCOPy:ABORt223
:HCOPy:DEVice:COLor NO YES225
:HCOPy:DEVice:COLor?225
:HCOPy:DEVice:LANGUage PCL3 PCL5225
:HCOPy:DEVice:LANGUage?225
:HCOPy:IMAGe:COLor[:STATe] OFF ON 0 1228
:HCOPy:IMAGe:COLor[:STATe]?228
:HCOPy:ITEM:FFEed[:IMMediate]227
:HCOPy:PAGE:ORientation LANDscape PORTRait226
:HCOPy:PAGE:ORientation?226
:HCOPy:PAGE:PRINts <integer>227
:HCOPy:PAGE:PRINts?227
:HCOPy:PAGE:SIZE A B A3 A4 LETTer LEGal EXECutive LEDGer228
:HCOPy:PAGE:SIZE?228
:HCOPy[:IMMediate]223
:INITiate:CONTInuous OFF ON 0 1240

List of Commands

:INITiate:CONTinuous?	240
:INITiate:PAUSe	200
:INITiate:REStart	199
:INITiate:REStart	229
:INITiate:RESume	200
:INITiate[:IMMediate]	201
:INITiate[:IMMediate]	233
:INPut:COUPling AC DC	158
:INPut:COUPling?	158
:INPut:MIXer INT EXT	159
:INPut:MIXer:TYPE PRESelected UNPReselect	169
:INPut:MIXer:TYPE?	169
:INSTrument:CATalog?	206
:INSTrument:NSElect <integer>	205
:INSTrument:NSElect?	205
:INSTrument[:SElect] BASIC CDMA CDMA1XEV CDMA2K EDGE GSM LINK NADC NFIGURE PDC PNOISE SA WCDMA WLAN	203
:INSTrument[:SElect]?	203
:MMEMory:CATalog? <dir_name>	122
:MMEMory:COpy <'file_name1'>,<'file_name2'>	140
:MMEMory:DATA <'file_name'>,<definite_length_block>	146
:MMEMory:DATA? <'file_name'>	146
:MMEMory:DELeTe <'file_name'>	138
:MMEMory:LOAD:CORRection ANTenna CABLe OTHer USER,<'file_name'>	134
:MMEMory:LOAD:LIMit LLINE1 LLINE2,<'file_name'>	134
:MMEMory:LOAD:STATe 1,<'file_name'>	134
:MMEMory:LOAD:TRACe <label>,<'file_name'>	134
:MMEMory:MDIRectory <'dir_name'>	144
:MMEMory:MOVE <'file_name1'>,<'file_name2'>	142
:MMEMory:RDIRectory <'directory_name'>	138
:MMEMory:STORe:CORRection ANTenna CABLe OTHer USER,<'file_name'>	128

List of Commands

:MMEMory:STORe:LIMit LLINE1 LLINE2,<'file_name'>	.128
:MMEMory:STORe:RESults <'file_name'>	.128
:MMEMory:STORe:SCReen <'file_name'>	.128
:MMEMory:STORe:STATe 1,<'file_name'>	.128
:MMEMory:STORe:TRACe <label>,<'file_name'>	.128
:OUTPut:ANALog SANalyzer DNWB	.159
:OUTPut:ANALog?	.159
:STATus:OPERation:CONDition?	.391
:STATus:OPERation:ENABle <integer>	.391
:STATus:OPERation:ENABle?	.391
:STATus:OPERation:NTRansition <integer>	.392
:STATus:OPERation:NTRansition?	.392
:STATus:OPERation:PTRansition <integer>	.392
:STATus:OPERation:PTRansition?	.392
:STATus:OPERation[:EVENT]?	.392
:STATus:PRESet.	.393
:STATus:QUEStionable:CALibration:CONDition?	.395
:STATus:QUEStionable:CALibration:ENABle <number>	.395
:STATus:QUEStionable:CALibration:ENABle?	.395
:STATus:QUEStionable:CALibration:NTRansition <number>	.396
:STATus:QUEStionable:CALibration:NTRansition?	.396
:STATus:QUEStionable:CALibration:PTRansition <number>	.396
:STATus:QUEStionable:CALibration:PTRansition?	.396
:STATus:QUEStionable:CALibration[:EVENT]?	.395
:STATus:QUEStionable:CONDition?	.393
:STATus:QUEStionable:ENABle <number>	.393
:STATus:QUEStionable:ENABle?	.393
:STATus:QUEStionable:FREQuency:CONDition?	.396
:STATus:QUEStionable:FREQuency:ENABle <number>	.397
:STATus:QUEStionable:FREQuency:ENABle?	.397
:STATus:QUEStionable:FREQuency:NTRansition <number>	.397

List of Commands

:STATUS:QUESTIONABLE:FREQUENCY:NTRANSITION?	397
:STATUS:QUESTIONABLE:FREQUENCY:PTRANSITION <number>	398
:STATUS:QUESTIONABLE:FREQUENCY:PTRANSITION?	398
:STATUS:QUESTIONABLE:FREQUENCY[:EVENT]?	397
:STATUS:QUESTIONABLE:INTEGRITY:CONDITION?	398
:STATUS:QUESTIONABLE:INTEGRITY:ENABLE <number>	398
:STATUS:QUESTIONABLE:INTEGRITY:ENABLE?	398
:STATUS:QUESTIONABLE:INTEGRITY:NTRANSITION <number>	399
:STATUS:QUESTIONABLE:INTEGRITY:NTRANSITION?	399
:STATUS:QUESTIONABLE:INTEGRITY:PTRANSITION <number>	399
:STATUS:QUESTIONABLE:INTEGRITY:PTRANSITION?	399
:STATUS:QUESTIONABLE:INTEGRITY:SIGNAL:CONDITION?	400
:STATUS:QUESTIONABLE:INTEGRITY:SIGNAL:ENABLE <number>	400
:STATUS:QUESTIONABLE:INTEGRITY:SIGNAL:ENABLE?	400
:STATUS:QUESTIONABLE:INTEGRITY:SIGNAL:NTRANSITION <number>	401
:STATUS:QUESTIONABLE:INTEGRITY:SIGNAL:NTRANSITION?	401
:STATUS:QUESTIONABLE:INTEGRITY:SIGNAL:PTRANSITION <number>	401
:STATUS:QUESTIONABLE:INTEGRITY:SIGNAL:PTRANSITION?	401
:STATUS:QUESTIONABLE:INTEGRITY:SIGNAL[:EVENT]?	400
:STATUS:QUESTIONABLE:INTEGRITY:UNCALIBRATED:CONDITION?	401
:STATUS:QUESTIONABLE:INTEGRITY:UNCALIBRATED:ENABLE	402
:STATUS:QUESTIONABLE:INTEGRITY:UNCALIBRATED:ENABLE?	402
:STATUS:QUESTIONABLE:INTEGRITY:UNCALIBRATED:NTRANSITION <number>	402
:STATUS:QUESTIONABLE:INTEGRITY:UNCALIBRATED:NTRANSITION?	402
:STATUS:QUESTIONABLE:INTEGRITY:UNCALIBRATED:PTRANSITION <number>	403
:STATUS:QUESTIONABLE:INTEGRITY:UNCALIBRATED:PTRANSITION?	403
:STATUS:QUESTIONABLE:INTEGRITY:UNCALIBRATED[:EVENT]?	402
:STATUS:QUESTIONABLE:INTEGRITY[:EVENT]?	399
:STATUS:QUESTIONABLE:NTRANSITION <number>	394
:STATUS:QUESTIONABLE:NTRANSITION?	394
:STATUS:QUESTIONABLE:POWER:CONDITION?	403

List of Commands

:STATus:QUEStionable:POWer:ENABle <number>	403
:STATus:QUEStionable:POWer:ENABle?	403
:STATus:QUEStionable:POWer:NTRansition <number>	404
:STATus:QUEStionable:POWer:NTRansition?	404
:STATus:QUEStionable:POWer:PTRansition <number>	404
:STATus:QUEStionable:POWer:PTRansition?>	404
:STATus:QUEStionable:POWer[:EVENT]?	404
:STATus:QUEStionable:PTRansition <number>	394
:STATus:QUEStionable:PTRansition?	394
:STATus:QUEStionable:TEMPerature:CONDition?	405
:STATus:QUEStionable:TEMPerature:ENABle <number>	405
:STATus:QUEStionable:TEMPerature:ENABle?	405
:STATus:QUEStionable:TEMPerature:NTRansition <number>	406
:STATus:QUEStionable:TEMPerature:NTRansition?	406
:STATus:QUEStionable:TEMPerature:PTRansition <number>	406
:STATus:QUEStionable:TEMPerature:PTRansition?	406
:STATus:QUEStionable:TEMPerature[:EVENT]?	405
:STATus:QUEStionable[:EVENT]?	394
:SYSTem:COMMunicate:GPIB[:SELF]:ADDRes <integer>	269
:SYSTem:COMMunicate:GPIB[:SELF]:ADDRes?	269
:SYSTem:COMMunicate:LAN:SCPI:SICL:ENABle OFF ON 0 1	273
:SYSTem:COMMunicate:LAN:SCPI:SICL:ENABle?	273
:SYSTem:COMMunicate:LAN:SCPI:SOCKet:ENABle OFF ON 0 1	273
:SYSTem:COMMunicate:LAN:SCPI:SOCKet:ENABle?	273
:SYSTem:COMMunicate:LAN:SCPI:TELNet:ENABle OFF ON 0 1	272
:SYSTem:COMMunicate:LAN:SCPI:TELNet:ENABle?	272
:SYSTem:COMMunicate:LAN[:SELF]:IP <string>	270
:SYSTem:COMMunicate:LAN[:SELF]:IP?	270
:SYSTem:CONFigure:HARDware OFF ON 0 1	276
:SYSTem:DATE <year>,<month>,<day>	260
:SYSTem:DATE?	260

List of Commands

:SYSTem:ERRor:VERBoSe OFF ON 0 1	253
:SYSTem:ERRor:VERBoSe?	253
:SYSTem:ERRor[:NEXT]?	252
:SYSTem:HID?	271
:SYSTem:KLOCK?	285
:SYSTem:LKEY <"option">, <"license key">	282
:SYSTem:LKEY:DELeTe <'application option'>,<'license key'>	283
:SYSTem:LKEY? <"option">	282
:SYSTem:MESSAge <string>	285
:SYSTem:MESSAge:OFF	286
:SYSTem:OPTions?	276
:SYSTem:PON:ETIME?	286
:SYSTem:PON:TYPE PRESet LAST	254
:SYSTem:PON:TYPE?	254
:SYSTem:PRESet	220
:SYSTem:PRESet:PERSiStent	280
:SYSTem:PRESet:TYPE FACToRy USER MODE	255
:SYSTem:PRESet:TYPE?	255
:SYSTem:PRESet[:USER]:SAVE	257
:SYSTem:TIME <hour>,<minute>,<second>	259
:SYSTem:TIME:ADJust <seconds>	260
:SYSTem:TIME?	259
:SYSTem:VERSiOn?	286
:TRACe:COpy <src_trace>,<dest_trace>	293
:TRACe:COpy <src_trace>,<dest_trace>	293
:TRACe:EXCHAnge: <trace_name>, <trace_name>	292
:TRACe:EXCHAnge: <trace_name>, <trace_name>	292
:TRACe:MATH:ADD <dest_trace>,<src_trace>,<src_trace>	294
:TRACe:MATH:MEAN? <src_trace>	294
:TRACe:MATH:SUBTrAct <dest_trace>,<src_trace>,<src_trace>	294
:TRACe:MATH:SUBTrAct:DLIN <trace_name>	292

List of Commands

:TRACe[:DATA] TRACE1 TRACE2 TRACE3 TRACE4 TRACE5 TRACE6, <definite_length_block> <comma_separated_ASCII_data>.....	288
:TRACe[:DATA]? TRACE1 TRACE2 TRACE3 TRACE4 TRACE5 TRACE6	288
:TRACe[:DATA]? TRACE1 TRACE2 TRACE3 LLINE1 LLINE2.....	146
:TRACe[1] 2 3:MODE WRITe MAXHold MINHold VIEW BLANk	287
:TRACe[1] 2 3:MODE?.....	287
:TRIGger[:SEQuence]:DELay <time>.....	304
:TRIGger[:SEQuence]:DELay:STATe OFF ON 0 1.....	304
:TRIGger[:SEQuence]:DELay:STATe?	304
:TRIGger[:SEQuence]:DELay?	304
:TRIGger[:SEQuence]:OFFSet <time>	305
:TRIGger[:SEQuence]:OFFSet:STATe OFF ON 0 1	305
:TRIGger[:SEQuence]:OFFSet:STATe?.....	305
:TRIGger[:SEQuence]:OFFSet?.....	305
:TRIGger[:SEQuence]:SLOPe POSitive NEGative	302
:TRIGger[:SEQuence]:SLOPe?	302
:TRIGger[:SEQuence]:SOURce IMMEDIATE VIDeo LINE EXTernal[1] EXTernal2 RFBurst ..	299
:TRIGger[:SEQuence]:SOURce?	299
:TRIGger[:SEQuence]:VIDeo:LEVel <ampl>	301
:TRIGger[:SEQuence]:VIDeo:LEVel:FREQuency <freq>.....	301
:TRIGger[:SEQuence]:VIDeo:LEVel:FREQuency?.....	301
:TRIGger[:SEQuence]:VIDeo:LEVel?	301
:UNIT:POWer DBM DBMV DBMA V W A DBUV DBUA DBUVM DBUAM DBPT DBG. .	43
:UNIT:POWer?	43
[:SENSe]:ADC:DITHer[:STATe] OFF ON AUTO.....	67
[:SENSe]:ADC:DITHer[:STATe]?.....	67
[:SENSe]:ADC:RANGe AUTO NONE	70
[:SENSe]:ADC:RANGe?.....	70
[:SENSe]:AVERage:CLEar	78
[:SENSe]:AVERage:COUNt <integer>	78
[:SENSe]:AVERage:COUNt?.....	78

List of Commands

[:SENSe]:AVERAge:TYPE RMS LOG SCALar	79
[:SENSe]:AVERAge:TYPE:AUTO OFF ON 0 1	79
[:SENSe]:AVERAge:TYPE:AUTO?	79
[:SENSe]:AVERAge:TYPE?	79
[:SENSe]:AVERAge[:STATe] OFF ON 0 1	78
[:SENSe]:AVERAge[:STATe]?	78
[:SENSe]:BANDwidth BWIDth:VIDeo <freq>	75
[:SENSe]:BANDwidth BWIDth:VIDeo:AUTO OFF ON 0 1	75
[:SENSe]:BANDwidth BWIDth:VIDeo:AUTO?	75
[:SENSe]:BANDwidth BWIDth:VIDeo:RATio <number>	77
[:SENSe]:BANDwidth BWIDth:VIDeo:RATio:AUTO OFF ON 0 1	77
[:SENSe]:BANDwidth BWIDth:VIDeo:RATio:AUTO?	77
[:SENSe]:BANDwidth BWIDth:VIDeo:RATio?	77
[:SENSe]:BANDwidth BWIDth:VIDeo?	75
[:SENSe]:BANDwidth BWIDth[:RESolution] <freq>	74
[:SENSe]:BANDwidth BWIDth[:RESolution]:AUTO OFF ON 0 1	74
[:SENSe]:BANDwidth BWIDth[:RESolution]:AUTO?	74
[:SENSe]:BANDwidth BWIDth[:RESolution]?	74
[:SENSe]:CORRection:CSET:ALL:DELeTe	56
[:SENSe]:CORRection:CSET:ALL[:STATe] OFF ON 0 1	51
[:SENSe]:CORRection:CSET:ALL[:STATe]?	51
[:SENSe]:CORRection:CSET[1] 2 3 4:DATA <freq>,<rel_ampl>{,<freq>,<rel_ampl>}	53
[:SENSe]:CORRection:CSET[1] 2 3 4:DATA:MERGe <freq>,<rel_ampl>{,<freq>,<rel_ampl>}	53
[:SENSe]:CORRection:CSET[1] 2 3 4:DATA?	53
[:SENSe]:CORRection:CSET[1] 2 3 4:DELeTe	55
[:SENSe]:CORRection:CSET[1] 2 3 4:X:SPACing LINear LOGarithmic	56
[:SENSe]:CORRection:CSET[1] 2 3 4[:STATe] OFF ON 0 1	52
[:SENSe]:CORRection:CSET[1] 2 3 4[:STATe]?	52
[:SENSe]:CORRection:OFFSet[:MAGNitude] <relative_power>	57
[:SENSe]:CORRection:OFFSet[:MAGNitude]?	57
[:SENSe]:DETeCtor:AUTO OFF ON 0 1	89

List of Commands

[[:SENSe]:DETEctor:AUTO?	89
[[:SENSe]:DETEctor[:FUNCTion] NORMAl AVERAge POSitive SAMPlE NEGative QPEak EAverage EPOSitive MPOSitiv RMS	86
[[:SENSe]:DETEctor[:FUNCTion]?	86
[[:SENSe]:FEED RF AREFERENCE	157
[[:SENSe]:FEED?	157
[[:SENSe]:FREQuency:CENTer <frequency> UP DOWN	150
[[:SENSe]:FREQuency:CENTer:STEP:AUTO OFF ON 0 1	154
[[:SENSe]:FREQuency:CENTer:STEP:AUTO?	154
[[:SENSe]:FREQuency:CENTer:STEP[:INCRement] <freq>	154
[[:SENSe]:FREQuency:CENTer:STEP[:INCRement]?	154
[[:SENSe]:FREQuency:CENTer?	150
[[:SENSe]:FREQuency:OFFSet <freq>	154
[[:SENSe]:FREQuency:OFFSet?	154
[[:SENSe]:FREQuency:SPAN <freq>	236
[[:SENSe]:FREQuency:SPAN:BANDwidth[:RESolution]:RATio <value>	83
[[:SENSe]:FREQuency:SPAN:BANDwidth[:RESolution]:RATio:AUTO OFF ON 0 1	83
[[:SENSe]:FREQuency:SPAN:BANDwidth[:RESolution]:RATio:AUTO?	83
[[:SENSe]:FREQuency:SPAN:BANDwidth[:RESolution]:RATio?	83
[[:SENSe]:FREQuency:SPAN:FULL	236
[[:SENSe]:FREQuency:SPAN:PREVious	237
[[:SENSe]:FREQuency:SPAN?	236
[[:SENSe]:FREQuency:STARt <freq>	151
[[:SENSe]:FREQuency:STARt?	151
[[:SENSe]:FREQuency:STOP <frequency>	152
[[:SENSe]:FREQuency:STOP?	152
[[:SENSe]:FREQuency:SYNThesis 1 2 3	65
[[:SENSe]:FREQuency:SYNThesis:AUTO OFF ON 0 1	65
[[:SENSe]:FREQuency:SYNThesis:AUTO?	65
[[:SENSe]:FREQuency:SYNThesis?	65
[[:SENSe]:MARKer[1] 2 3 4:X:POSition <param>	174

List of Commands

[[:SENSE]:MARKer[1] 2 3 4:X:POSition?	174
[[:SENSE]:MIXer:BAND K A Q U V E W F D G Y J USER	161
[[:SENSE]:MIXer:BAND?	161
[[:SENSE]:MIXer:BIAS <number>	170
[[:SENSE]:MIXer:BIAS:STATe OFF ON 0 1	170
[[:SENSE]:MIXer:BIAS:STATe?	170
[[:SENSE]:MIXer:BIAS?	170
[[:SENSE]:MIXer:HARMonic <integer>	168
[[:SENSE]:MIXer:HARMonic:AUTO OFF ON 0 1 or <boolean>	168
[[:SENSE]:MIXer:HARMonic:AUTO?	168
[[:SENSE]:MIXer:HARMonic?	168
[[:SENSE]:POWER[:RF]:ATTenuation <rel_power>	37
[[:SENSE]:POWER[:RF]:ATTenuation:AUTO OFF ON 0 1	37
[[:SENSE]:POWER[:RF]:ATTenuation:AUTO?	37
[[:SENSE]:POWER[:RF]:ATTenuation:STEP[:INCRement] <integer>	57
[[:SENSE]:POWER[:RF]:ATTenuation:STEP[:INCRement]?	57
[[:SENSE]:POWER[:RF]:ATTenuation?	37
[[:SENSE]:POWER[:RF]:GAIN[:STATe] OFF ON 0 1	50
[[:SENSE]:POWER[:RF]:GAIN[:STATe]?	50
[[:SENSE]:POWER[:RF]:MIXer:RANGe[:UPPer] <power>	58
[[:SENSE]:POWER[:RF]:MIXer:RANGe[:UPPer]?	58
[[:SENSE]:POWER[:RF]:MW:PRESelector[:STATe] ON OFF 0 1	161
[[:SENSE]:POWER[:RF]:MW:PRESelector[:STATe]?	161
[[:SENSE]:POWER[:RF]:PADJust <freq>	41
[[:SENSE]:POWER[:RF]:PADJust:PRESelector MWAVE MMWave EXTernal	42
[[:SENSE]:POWER[:RF]:PADJust:PRESelector?	42
[[:SENSE]:POWER[:RF]:PADJust?	41
[[:SENSE]:POWER[:RF]:PCENter	39
[[:SENSE]:ROSCillator:EXTernal:FREQuency <value>	275
[[:SENSE]:ROSCillator:EXTernal:FREQuency?	275
[[:SENSE]:ROSCillator:OUTPut[:STATe] OFF ON 0 1	275

List of Commands

[[:SENSe]:ROSCillator:OUTPut[:STATe]?275
[[:SENSe]:ROSCillator:SOURce INTernal EXTernal.275
[[:SENSe]:ROSCillator:SOURce?275
[[:SENSe]:SIDentify[:STATe]?166
[[:SENSe]:SIDentify:MODE ISUPpress ISHift167
[[:SENSe]:SIDentify:MODE?167
[[:SENSe]:SIDentify[:STATe] OFF ON 0 1166
[[:SENSe]:SWEep:EGATe:DELay <time>245
[[:SENSe]:SWEep:EGATe:DELay?246
[[:SENSe]:SWEep:EGATe:EXTernal[1]:LEVel <voltage>247
[[:SENSe]:SWEep:EGATe:EXTernal[1]:LEVel?247
[[:SENSe]:SWEep:EGATe:EXTernal2:LEVel <voltage>247
[[:SENSe]:SWEep:EGATe:EXTernal2:LEVel?247
[[:SENSe]:SWEep:EGATe:LENGth <time>246
[[:SENSe]:SWEep:EGATe:LENGth?246
[[:SENSe]:SWEep:EGATe:POLarity NEGative POSitive245
[[:SENSe]:SWEep:EGATe:POLarity NEGative POSitive?.245
[[:SENSe]:SWEep:EGATe:SOURce EXTernal[1] EXTernal2.246
[[:SENSe]:SWEep:EGATe:SOURce?.246
[[:SENSe]:SWEep:EGATe:VIEW ON OFF 1 0245
[[:SENSe]:SWEep:EGATe:VIEW?.245
[[:SENSe]:SWEep:EGATe[:STATe] OFF ON 0 1243
[[:SENSe]:SWEep:EGATe[:STATe]?243
[[:SENSe]:SWEep:FFT:SPAN:RATio <integer>.65
[[:SENSe]:SWEep:FFT:SPAN:RATio?.65
[[:SENSe]:SWEep:POINts <number of points>.249
[[:SENSe]:SWEep:POINts?.249
[[:SENSe]:SWEep:TIME <time>240
[[:SENSe]:SWEep:TIME:AUTO OFF ON 0 1.240
[[:SENSe]:SWEep:TIME:AUTO:RULEs NORMal ACCuracy242
[[:SENSe]:SWEep:TIME:AUTO:RULEs?242

List of Commands

[:SENSe]:SWEep:TIME:AUTO?	240
[:SENSe]:SWEep:TIME?	240
[:SENSe]:SWEep:TYPE AUTO FFT SWEep.	60
[:SENSe]:SWEep:TYPE:AUTO:RULes SPEed DRANge.	61
[:SENSe]:SWEep:TYPE:AUTO:RULes?	61
[:SENSe]:SWEep:TYPE?	60
FORMat:DATA	289

1 Using This Document

This book, Volume 1, provides the user and programming information for the core spectrum analyzer functions. For the one-button power measurement functionality refer to Volume 2, *One Button Measurements User's and Programmer's Reference*.

About the User's and Programmer's Information

Your user's and programmer's information is organized in two volumes, Volume 1, *Core Spectrum Analyzer Functions User's and Programmer's Reference* and Volume 2, *One-Button Power Measurements User's and Programmer's Reference*.

This document is Volume 1 and provides user and programmer information for the core spectrum analyzer functions only. Refer to Volume 2, *One-Button Power Measurements User's and Programmer's Reference* for information about the Power Suite One-Button Power Measurements functionality.

NOTE The front- and rear-panel features, along with the numeric keypad and alpha-numeric softkey fundamentals are illustrated and described, in your Getting Started guide.

What is in This Book

- **Using This Document**- describes the organization of this book.
- **Instrument Functions** - provides information about the front-panel and lower-level key functions of your analyzer and their associated programming commands. This information is organized alphabetically by the front-panel key name. For your convenience, the instrument functions information has been divided into three separate chapters; *Instrument Functions: A-L*, *Instrument Functions: M-O*, and *Instrument Functions: P - Z*.

NOTE The one-button power measurement functions and programming information is provided in its own manual; if you are unable to locate the information you need in this book, try Volume 2, *One-Button Power Measurements User's and Programmer's Reference*.

- **Programming Fundamentals** - provides information on SCPI and C programming language basics, and on using GPIB and LAN.
- **Using the STATus System** - provides information about the instruments internal status monitoring system with information on how to monitor the status using a remote program and descriptions of all the available commands.
- **Menu Maps** - illustrates the menu structure of the front-panel and lower-level keys. Refer to this chapter to identify the lower-level softkeys associated with the front-panel keys.

Terms Used in This Book

There are many terms used throughout this book, for example “active function block,” that are explained in detail in the Getting Started guide. It is recommended that you read the Getting Started guide first.

The following terms are used to describe each key. Note that a key description may not use all the terms.

State Saved: Indicates what happens to a particular function when the instrument state is saved (either to floppy disk or the internal c:\ drive). It also indicates whether the current settings of the function are maintained if the instrument is powered on or preset using **Power On Last State** or **User Preset**.

Dependencies/

Couplings: Describes dependencies or interactions to other functions or settings in the analyzer.

Factory Preset: Describes the function settings after a **Factory Preset**.

Default

Terminator: Indicates the units that will be attached to the numerical value that you have entered. This default will be used from the front panel, when you terminate your entry by pressing the **Enter** key, rather than selecting a units key. This default will be used remotely when you send the command without specifying any units after your value(s).

Range: Describes the range of the smallest to largest values to which the function can be set. If you try to set a value below the minimum value, the analyzer defaults to the minimum value. If you try to set a value above the maximum value, the analyzer defaults to the maximum value.

History: Describes the firmware revision history. *Only applies after first firmware release.*

Remote

Command: Shows the syntax requirements for each SCPI command.

Example: Provides command examples using the indicated remote command syntax.

Using This Document
About the User's and Programmer's Information

2 Instrument Functions: A – L

This chapter provides key descriptions and programming information for the front-panel key functions of your analyzer starting with the letters A through L. The front-panel functions are listed alphabetically and are described with their associated menu keys. The lower-level menu keys are arranged and described as they appear in your analyzer.

NOTE The front- and rear-panel features, along with the numeric keypad and alpha-numeric softkey fundamentals are illustrated and described, in your Getting Started guide.

2.1 AMPLITUDE / Y Scale

Activates the Reference Level function and displays the Amplitude menu keys. These functions control how data on the vertical (Y) axis is displayed and corrected, and control instrument settings that affect the vertical axis.

2.1.1 Ref Level

Enables you to adjust the absolute amplitude represented by the top graticule line on the display (the reference level). Ref in the upper left corner of the display, indicates the current value. The **Amplitude, Y Axis Units** setting determines the Reference Level units. To change the reference level, use the front-panel step keys, knob, or numeric keypad.

Key Path: **AMPLITUDE / Y Scale**

Dependencies/

Couplings: If you reduce the Attenuation setting, the analyzer may have to lower the Reference Level to maintain the proper level at the top of the screen. If you then increase Attenuation, the Reference Level does *not* increase to its previous value.

When the input attenuator is auto-coupled, **Attenuation** (Auto), its setting may be affected by changes in the reference level setting. See [“Attenuation” on page 36](#).

Reference level is affected by: Attenuation, Preamp, Ext Amp Gain, Reference level offset, Max Mixer Level, Y-Axis Units.

State Saved: Saved in Instrument State

Factory Preset: 0 dBm

Range: Determined by the settings of the input attenuator, reference level offset, external amplitude gain, and whether the preamp (Option 1DS) is on or off.

Examples:

- 170 dBm to 30 dBm with zero reference level offset
- 180 dBm to 20 dBm with 10 dB ext amp gain
- 160 dBm to 40 dBm with 10 dB reference level offset
- 170 dBm to 0 dBm with preamp on (Option 1DS)

Remote Command:

```
:DISPlay:WINDow[1]:TRACe:Y:[SCALe]:RLEVel <ampl>
```

```
:DISPlay:WINDow[1]:TRACe:Y:[SCALe]:RLEVel?
```

Example: DISP:WIND:TRAC:Y:RLEV 20 dbm

Sets the reference level to 20 dBm, which displays in the current Y-Axis Units. For example, if the Y-Axis Units are dB μ V, then 127 dB μ V will be displayed.

2.1.2 Attenuation

Allows you to adjust the input attenuation. Press **Atten Step** to set the attenuation step so that attenuation will change in 2 dB or 10 dB increments. The analyzer input attenuator reduces the power level of the input signal delivered to the input mixer. If set manually, the attenuator is recoupled when **Attenuation (Auto)** is selected. To enter a value below 6 dB, you must use the front-panel numeric keypad.

Attenuation is coupled to Reference Level, so adjusting the Reference Level may change the Attenuation. The analyzer selects an Attenuation setting that is as small as possible while keeping the Ref Level at or below the Max Mixer Lvl setting. The current value is indicated by Atten at the top of the display. A # appears in front of Atten when **Attenuation (Man)** is selected.

CAUTION To prevent damage to the input mixer, do not exceed a power level of +30 dBm at the input.

To prevent signal compression, keep the power at the input mixer below 0 dBm (10 MHz - 200 MHz), below 3 dBm (200 MHz - 6.6 GHz), and below -2 dBm (6.6 GHz - 50.0 GHz). With the attenuator set to Auto, a signal at or below the reference level results in a mixer level at or below -10 dBm.

Key Path: **AMPLITUDE / Y Scale**

State Saved: Saved in Instrument State

Factory Preset: Auto Coupled, 10 dB (for external amplifier gain of 0 dB)

Resolution/Rounding/

Truncation: The attenuation is resolved to 2 dB increments. If the value is at least 0.5 dB over a value, then the next higher value is selected. Therefore, 10.4 selects 10, while 10.5 selects 12.

Range: 0 dB to 70 dB

Remote Command:

```
[ :SENSe ] :POWER [ :RF ] :ATTenuation <rel_power>
[ :SENSe ] :POWER [ :RF ] :ATTenuation?
[ :SENSe ] :POWER [ :RF ] :ATTenuation:AUTO OFF | ON | 0 | 1
[ :SENSe ] :POWER [ :RF ] :ATTenuation:AUTO?
```

Remote Command Notes: . The Reference Level setting may be affected when the Attenuation is changed. See **Ref Level**.

Example: .

```
POW:ATT 30
POW:ATT?
POW:ATT:AUTO ON
POW:ATT:AUTO?
```

2.1.3 Scale/Div

Sets the units per vertical graticule division on the display. This function is only available when **Scale Type (Log)** is selected and the vertical scale is power, or **Demod View** is on and the vertical scale is hertz. When **Scale Type (Lin)** is selected, **Scale/Div** is grayed out.

Key Path: **AMPLITUDE / Y Scale**

State Saved: Saved in Instrument State

Factory Preset: 10 dB, in logarithmic scale type

Fundamental

Units: dB; kHz

Terminators: dB; Hz, kHz, MHz, GHz

Default

Terminator: dB; kHz

Range: 0.1 dB to 20 dB

1 kHz to 240 kHz (When **Demod View (On)** is selected.)

Remote Command:

```
:DISPlay:WINDow[1]:TRACe:Y:[SCALe]:PDIVision <power>
:DISPlay:WINDow[1]:TRACe:Y:[SCALe]:PDIVision?
```

Example: DISP:WIND:TRAC:Y:PDIV 5 DB

2.1.4 Scale Type

Allows you to choose a linear or logarithmic vertical scale for the display and for remote data readout.

The scale type for display and remote data readout may be different from the scale used for averaging processes. For information on the scale used for averaging process, “Avg/VBW Type” on page 79.

When **Scale Type (Log)** is selected, the vertical graticule divisions are scaled in logarithmic units. The top line of the graticule is the Reference Level and use the scaling per division, **Scale/Div** to assign values to the other locations on the graticule.

When **Scale Type (Lin)** is selected, the vertical graticule divisions are linearly scaled with the reference level value at the top of the display and zero volts at the bottom. Each vertical division of the graticule represents one-tenth of the Reference Level.

The Y Axis Units used for each type of display are set by pressing **Y Axis Units**. The analyzer remembers the settings for both Log and Lin.

Key Path: **AMPLITUDE / Y Scale**

State Saved: Saved in Instrument State

Factory Preset: Log

Remote Command:

```
:DISPlay:WINDow[1]:TRACe:Y:[SCALe]:SPACing LINear|LOGarithmic
```

```
:DISPlay:WINDow[1]:TRACe:Y:[SCALe]:SPACing?
```

Example: DISP:WIND:TRAC:Y:SPAC LOG

DISP:WIND:TRAC:Y:SPAC?

2.1.5 Presel Center

Adjusts the centering of the preselector filter to optimize the amplitude accuracy at the frequency of the active marker. If no marker is on when **Presel Center** is pressed, the analyzer turns on the currently selected marker and does a peak search. If a marker is already on, it should be placed on the peak of interest before pressing **Presel Center**.

Some models of the analyzer contain more than one preselector. The microwave preselector is used for frequencies from 2.85/3.05 GHz (depending on frequency band) to 26.8 GHz. The millimeter preselector is used for frequencies from 26.5 GHz to the maximum frequency of the analyzer (the millimeter preselector is only available in analyzers with a frequency range greater than 26.5 GHz). To center both preselectors, the user must set up and request a **Presel Center** in a microwave band, then set up and request a **Presel Center** in a millimeter band. (See **Presel Adjust** for more details.).

The unpreselected high band Option 123 lets you bypass the microwave preselector. (See **Input/Output, Microwave Preselector**) Option 123 is only available in instruments with a single preselector (≤ 26.5 GHz maximum frequency.) Therefore, when the microwave

preselector is bypassed, there will be no internal preselector available at all. In this case, the **Presel Center** and **Presel Adjust** keys will be grayed out (unless you are using external mixing with preselected external mixers.)

For proper preselector centering, you should make sure that:

- if the marker is off, the highest peak onscreen is valid for centering and is in the range of an active preselector
or
- if the marker is on, that the signal at the marker is a peak which allows centering and is in the range of an active preselector.

Other considerations or cautions include:

- If a marker is already on, the analyzer will attempt the centering at the current marker position and no peak search will be performed. (This allows the user to center the preselector for signals which are not the strongest on-screen signals.)
- The microwave preselector (3 to 26.5 GHz) can be turned off (bypassed.) See **Input/Output, Microwave Preselector**. If it is off, this functionality is not available.
- If the signal at the marker position is unstable the algorithm will not function properly. An example of this would be noise or a noise-like signal like a CDMA digital communications signal.
- There is no preselector for signals below 3.05 GHz (in band 0).
- With **Input Mixer (Ext)** selected and the **Mixer Type** set to Presel (preselected), **Presel Center** adjusts the frequency of the external preselector filter to maximize the amplitude at the active marker frequency.

Key Path: AMPLITUDE / Y Scale

Dependencies/

Couplings: This function is not available (grayed out) if:

- the microwave preselector is off. (See **Input/Output, Microwave Preselector**.)
- external mixing is selected and **Mixer Type** is unpreselected.
- the frequency range is entirely within band 0 (0 Hz to ~3.05 GHz).
- the gated sweep function is on (**Sweep, Gate** on.)

History: Modified in revision A.06.00.

Remote Command:

[:SENSe] :POWer [:RF] :PCENter

Remote Command Notes: This command is sent in a non-preselected band, or the active marker is less than 3 GHz, an error message is sent.

Example: POW:PCEN

2.1.6 Presel Adjust

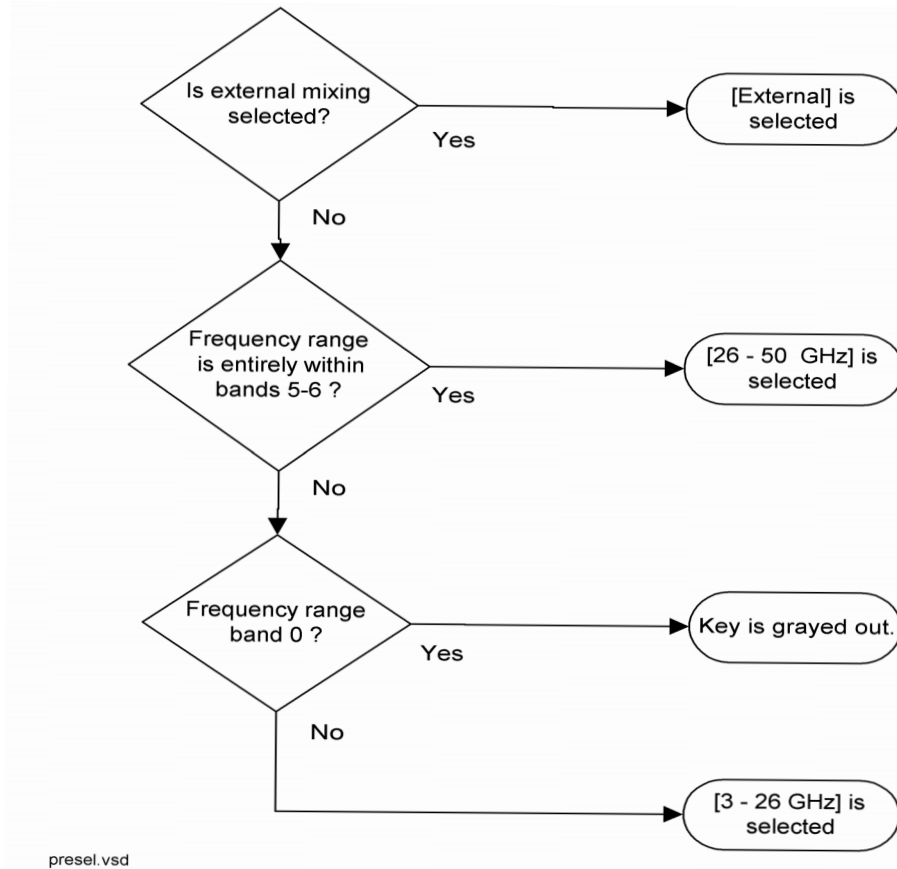
Allows you to manually adjust the preselector filter center frequency to optimize its response on the signal of interest. This function is not available in frequency band 0. It is for signals ≥ 2.85 GHz in band 1 and higher. And it is not available if the preselector is turned off. The key also accesses the menu to choose the desired preselector.

For general purpose signal analysis, using **Presel Center** is recommended. Centering the filter minimizes the impact of long-term preselector drift. **Presel Adjust** can be used instead to manually optimize the preselector. One application of manual optimization would be to peak the preselector response, which both optimizes the signal-to-noise ratio and minimizes amplitude variations due to small (short-term) preselector drifting.

The analyzer can contain more than one preselector. E4446A, E4447A, and E4448A analyzers have 3 GHz to 26.5 GHz preselector bands and >26.5 GHz preselector bands. The adjustment is preselector specific and the analyzer stores a value for each preselector. Therefore, when the desired frequency range includes frequencies both below and above 26.5 GHz, you must center and adjust each preselector.

The key readout shows which preselector will be adjusted when the key is pressed. The choices are [3-26 GHz], [26-50 GHz], and [External]. After performing a **Presel Center**, the value that is shown on the **Presel Adjust** key is the offset from nominal of the affected preselector's frequency.

With **Presel Adjust** selected, press the key again to access the preselector selection menu to select the preselector you wish to adjust. Some instrument settings will force a preselector selection. The following flowchart shows the conditions that cause the preselector selection to change:



Key Path: **AMPLITUDE / Y Scale**

Dependencies/

Couplings: This function is not available (grayed out) if:

- the microwave preselector is off. (See **Input/Output, Microwave Preselector.**)
- external mixing is selected and **Mixer Type** is unpreselected.
- the frequency range is entirely within band 0 (0 Hz to ~3.05 GHz).
- the gated sweep function is on (**Sweep, Gate on.**)

State Saved: Saved in Instrument State

Factory Preset: 3 - 26 GHz, 0.0 Hz

Range: -500 MHz to 500 MHz

History: Updated in revision A.06.00.

Remote Command:

`[:SENSE] :POWER [:RF] :PADJust <freq>`

`[:SENSe] :POWER [:RF] :PADJust?`

[:SENSe] :POWer [:RF] :PADJust :PRESelector MWAVE |MMWave |EXTernal

[:SENSe] :POWer [:RF] :PADJust :PRESelector?

Example: . POW:PADJ:PRES MMW

POW:PADJ 100 KHZ

2.1.7 3 - 26 GHz

Selects the preselector for the analyzers microwave frequency bands.

Key Path: **AMPLITUDE / Y Scale, Presel Adjust**

Dependencies/

Couplings: This function is not available (grayed out) if:

- grayed out if microwave preselector is bypassed (see **Input/Output, Microwave Preselector.**) Error 229 is sent.
- grayed out if in external mixing. Error 231 is sent.
- grayed out if entirely in band 0. Error 208 is sent.
- grayed out if entirely in bands 5-6. Error 208 is sent.

History: Added in revision A.06.00.

Remote Command:

See [“Presel Adjust” on page 40.](#)

2.1.7.1 26 - 50 GHz

Selects the preselector for the analyzers millimeterwave frequency bands.

Key Path: **AMPLITUDE / Y Scale, Presel Adjust**

Dependencies/

Couplings: This function is not available (grayed out) if:

- grayed out if no part of the span is in bands 5 or 6. Error 208 is sent.
- grayed out if using external mixing. Error 231 is sent.

History: Added in revision A.06.00.

Remote Command:

See [“Presel Adjust” on page 40.](#)

2.1.7.2 External

Selects the external mixer preselector.

Key Path: **AMPLITUDE / Y Scale, Presel Adjust**

Dependencies/

Couplings:

- It is only available if Option AYZ is installed.
- It is grayed out if external mixing is off. Error 232 is sent.
- It is grayed out if you are using external mixing and have specified an unpreselected external mixer. Error 230 is sent.

History: Added in revision A.06.00.

Remote Command:

See [“Presel Adjust” on page 40.](#)

2.1.8 Y Axis Units

Displays the menu keys that enable you to change the vertical (Y) axis amplitude units. The analyzer retains the entered **Y Axis Units** separately for both Log and Lin amplitude scale types. For example, if **Scale Type** has been set to **Log**, and you set **Y Axis Units** to **dBm**, pressing **Scale Type (Log)** sets the **Y Axis Units** to **dBm**. If **Scale Type** has been set to Lin and you set **Y Axis Units** to **Volts**, pressing **Scale Type (Lin)** sets the **Y Axis Units** to **Volts**. Pressing **Scale Type (Log)** again sets the Y Axis units back to dBm.

This key is unavailable (grayed out) when the FM Demod View is on.

Y Axis Units, in conjunction with the **Scale Type**, affect how the data is read off the display, markers, and over the remote interface. When using the remote interface no units are returned, so you must know what the Y-Axis units are to interpret the results:

Key Path: **AMPLITUDE / Y Scale**

State Saved: Saved in Instrument State

Factory Preset: For **Scale Type (Log)** = dBm

 For **Scale Type (Lin)** = Volts

Remote Command:

```
:UNIT:POWER DBM|DBMV|DBMA|V|W|A|DBUV|DBUA|DBUVM|DBUAM|DBPT|DBG
```

```
:UNIT:POWER?
```

Remote Command Notes: . The settings of Y Axis Units and Scale Type, affect how the data is read over the remote interface. When using the remote interface no units are returned, so you must know what the Y-Axis units are to

interpret the results:

Example 1, set the following:

Scale Type (Log)
Y Axis Units, dBm
Scale/Div, 1 dB
Ref Level, 10 dBm

This sets the top line to 10 dBm with each vertical division representing 1 dB. Thus, if a point on trace 1 is on the fifth graticule line from the top, it represents 5 dBm and will read out remotely as 5.

Example 2, set the following:

Scale Type (Lin)
Y Axis Units, Volts
Ref Level, 100 mV (10 mV/div)

This sets the top line to 100 mV and the bottom line to 0 V, so each vertical division represents 10 mV. Thus, if a point on trace 1 is on the fifth graticule line from the top, it represents 50 mV and will read out remotely as 50.

Example:.. UNIT:POW dBmV
UNIT:POW?

2.1.8.1 dBm

Sets the amplitude units to dBm.

Key Path: AMPLITUDE / Y Scale, More, Y Axis Units

Remote Command:

See “Y Axis Units” on page 43.

Example: UNIT:POW DBM

2.1.8.2 dBmV

Sets the amplitude units to dBmV.

Key Path: AMPLITUDE / Y Scale, More, Y Axis Units

Remote Command:

See [“Y Axis Units” on page 43](#).

Example: UNIT:POW DBMV

2.1.8.3 dBmA

Sets the amplitude units to dBmA.

Key Path: AMPLITUDE / Y Scale, More, Y Axis Units

Remote Command:

See [“Y Axis Units” on page 43](#).

Example: UNIT:POW DBMA

2.1.8.4 Volts

Sets the amplitude units to volts.

Key Path: AMPLITUDE / Y Scale, More, Y Axis Units

Remote Command:

See [“Y Axis Units” on page 43](#).

Example: UNIT:POW V

2.1.8.5 Watts

Sets the amplitude units to watts.

Key Path: AMPLITUDE / Y Scale, More, Y Axis Units

Remote Command:

See [“Y Axis Units” on page 43](#).

Example: UNIT:POW W

2.1.8.6 Amps

Sets the amplitude units to amps.

Key Path: AMPLITUDE / Y Scale, More, Y Axis Units
History: Added with firmware revision A.06.00

Remote Command:

See “Y Axis Units” on page 43.

Example: UNIT:POW A

2.1.8.7 dB μ V

Sets the amplitude units to dB μ V.

Key Path: AMPLITUDE / Y Scale, More, Y Axis Units

Remote Command:

See “Y Axis Units” on page 43.

Example: UNIT:POW DBUV

2.1.8.8 dB μ A

Sets the amplitude units to dB μ A.

Key Path: AMPLITUDE / Y Scale, More, Y Axis Units

History: Added with firmware revision A.06.00

Remote Command:

See “Y Axis Units” on page 43.

Example: UNIT:POW DBUA

2.1.8.9 dB μ V/m

Sets the amplitude units to dB μ V/m. This is a unit specifically applicable to EMI field strength measurements. In the absence of a correction factor this unit is treated by the instrument exactly as though it were dB μ V. You must load an appropriate correction factor using amplitude corrections for this unit to generate meaningful results. Therefore, this key is grayed out unless one of the corrections are turned on (in **Amplitude, Corrections** menu) and **Apply Corrections** is set to Yes.

Key Path: AMPLITUDE / Y Scale, More, Y Axis Units

Dependencies/

Couplings: If the grayed out key is pressed an error message is generated.

History: Added with firmware revision A.06.00

Remote Command:

See [“Y Axis Units” on page 43](#).

Example: UNIT:POW DBUVM

2.1.8.10 dB μ A/m

Sets the amplitude units to dB μ A/m. This is a unit specifically applicable to EMI field strength measurements. In the absence of a correction factor this unit is treated by the instrument exactly as though it were dB μ V. You must load an appropriate correction factor using amplitude corrections for this unit to generate meaningful results. Therefore, this key is grayed out unless one of the corrections are turned on (in **Amplitude, Corrections** menu) and **Apply Corrections** is set to Yes.

Key Path: AMPLITUDE / Y Scale, More, Y Axis Units

Dependencies/

Couplings: If the grayed out key is pressed an error message is generated.

History: Added with firmware revision A.06.00

Remote Command:

See [“Y Axis Units” on page 43](#).

Example: UNIT:POW DBUAM

2.1.8.11 dBpT

Sets the amplitude units to dBpT. This is a unit specifically applicable to EMI field strength measurements. In the absence of a correction factor this unit is treated by the instrument exactly as though it were dB μ V. You must load an appropriate correction factor using amplitude corrections for this unit to generate meaningful results. Therefore, this key is grayed out unless one of the corrections are turned on (in **Amplitude, Corrections** menu) and **Apply Corrections** is set to Yes.

Key Path: AMPLITUDE / Y Scale, More, Y Axis Units

Dependencies/

Couplings: If the grayed out key is pressed an error message is generated.

History: Added with firmware revision A.06.00

Remote Command:

See [“Y Axis Units” on page 43](#).

Example: UNIT:POW DBPT

2.1.8.12 dBG

Sets the amplitude units to dBG. This is a unit specifically applicable to EMI field strength measurements. In the absence of a correction factor this unit is treated by the instrument exactly as though it were dB μ V. You must load an appropriate correction factor using amplitude corrections for this unit to generate meaningful results. Therefore, this key is grayed out unless one of the corrections are turned on (in **Amplitude, Corrections** menu) and **Apply Corrections** is set to Yes.

Key Path: AMPLITUDE / Y Scale, More, Y Axis Units

Dependencies/

Couplings: If the grayed out key is pressed an error message is generated.

History: Added with firmware revision A.06.00

Remote Command:

See “[Y Axis Units](#)” on page 43.

Example: UNIT:POW DBG

2.1.9 Ref Lvl Offset

Allows you to add an offset value to the displayed reference level. The reference level is the absolute amplitude represented by the top graticule line on the display. Reference-level offsets are entered by using the numeric keypad or programming commands. The knob and step keys are not active.

Offsets are used when gain or loss occurs between a device under test and the analyzer input. Thus, the signal level measured by the analyzer may be thought of as the level at the input of an external amplitude conversion device. Entering an offset does not affect the trace position or attenuation value, just the displayed value readouts such as reference level and marker amplitudes.

The maximum reference level available is dependent on the reference level offset. That is, Ref Level – Ref Level Offset must be in the range –170 to +30 dBm.

For example, the reference level value range can be initially set to values from –170 dBm to 30 dBm with no reference level offset. If the reference level is first set to –20 dBm, then the reference level offset can be set to values of –50 to +150 dB.

If the reference level offset is first set to –30 dB, then the reference level can be set to values of –200 dBm to 0 dBm. In this case, the reference level is “clamped” at 0 dBm because the maximum limit of +30 dBm is reached with a reference level setting of 0 dBm with an offset of –30 dB. If instead, the reference level offset is first set to 30 dB, then the reference level can be set to values of –140 to +60 dBm.

When a reference level offset is entered, the offset value appears on the left side of the display under `Offst` (as opposed to frequency offsets which appear at the bottom of the display.) To eliminate an offset, press **Ref Lvl Offst, 0, and dB**.

Key Path: **AMPLITUDE / Y Scale**

Key Notes: Only numeric entries are valid, the knob and step keys are not applicable to this function.

Annunciation/

Annotation: The offset is displayed to left of Trace window; third from the top, just below the scale type.

State Saved: Saved in Instrument State

Factory Preset: 0.0 dB

Range: –327.6 dB to 327.6 dB

Remote Command:

:DISPlay:WINDow[1]:TRACe:Y:[SCALE]:RLEVel:OFFSet <rel_power> (in dB)

:DISPlay:WINDow[1]:TRACe:Y:[SCALE]:RLEVel:OFFSet?

Example: DISP:WIND:TRAC:Y:RLEV:OFFS 12.7 Sets the Ref Level Offset to 12.7 dB.
 The only valid suffix is dB. If no suffix is sent, dB will be assumed.

2.1.10 Int Preamp

(Option 1DS only.) Turns the internal preamp on and off. The preamp functions over a frequency range of 100 kHz to 3 GHz. When the preamp is on, an automatic adjustment compensates for the gain of the preamp so that displayed amplitude readings still accurately reflect the value at the analyzer input connector. The preamp is switched off for frequencies above 3 GHz, and the correction is not applied, even though the PA annotation remains on screen. For signal frequencies below 100 kHz, the preamp is not automatically switched out, but signal amplitude roll-off occurs even in the “DC” setting of the RF Coupling control.

The gain of the preamp is nominally 30 dB (PSA).

Key Path: **AMPLITUDE / Y Scale**

Dependencies/

Couplings: Reference level, Attenuation

State Saved: Saved in Instrument State

Factory Preset: Off

Remote Command:

[[:SENSe]:POWer[:RF]:GAIN[:STATe] OFF|ON|0|1

[[:SENSe]:POWer[:RF]:GAIN[:STATe]?

Example: POW:GAIN 1

POW:GAIN?

2.1.11 Corrections

Accesses the **Corrections** menu keys that allow you to enable the corrections function and to select which set of correction factors you wish to modify. These frequency/amplitude corrections will be applied to the displayed data to correct for system losses/gains outside the analyzer. Four different sets of correction data can be stored.

Key Path: **AMPLITUDE / Y Scale, More**

Remote Command:

There is no equivalent remote command for this key.

2.1.11.1 Apply Corrections

Pressing **Apply Corrections (Yes)** turns on the amplitude-correction factors. Corrections will only be applied for the sets of correction factors whose correction state is set to On. To turn a set of correction factors on, use the **Correction On Off** key in the Antenna, Cable, Other, or User menus.

Key Path: **AMPLITUDE / Y Scale, More, Corrections**

Annunciation/

Annotation: When **Apply Corrections (Yes)** is selected, an A will appear in the screen annotation on the left edge of the display, whether or not a correction set has been turned on using the **Correction (On)** key in the Antenna, Cable, Other, or User menus.

State Saved: Saved in Instrument State

Factory Preset: No

Remote Command:

```
[ :SENSe ] :CORRection:CSET:ALL [ :STATe ] OFF | ON | 0 | 1
```

```
[ :SENSe ] :CORRection:CSET:ALL [ :STATe ] ?
```

Remote Command Notes: To turn On or Off an individual correction set, use:

```
[ :SENSe ] :CORRection:CSET [ 1 ] | 2 | 3 | 4 [ :STATe ]
```

Example: CORR:CSET:ALL ON

```
CORR:CSET:ALL?
```

2.1.11.2 Antenna, Cable, Other, and User Keys

Pressing **Antenna**, **Cable**, **Other**, or **User** accesses the Correction menu for that type of correction data. These 4 keys display the status of correction sets. If the key indicates **On**, then amplitude corrections for this type have been enabled. To perform the corrections, both this key and **Apply Corrections** must indicate **Yes**. The status is toggled in the correction set menu located under **Correction**.

Key Path: AMPLITUDE / Y Scale, More, Corrections

Remote Command:

There is no remote command for this key.

2.1.11.2.1 Correction

Turns the amplitude correction function on or off for the specific set of correction data. The corrections state must be set to **On** for the correction to be applied.

NOTE **Antenna**, **Cable**, and **Other** correction factors are generally entered as positive values. This indicates a loss in the external device. **User** correction factors are typically entered as negative values which indicate a gain in the external device.

Key Path: **AMPLITUDE / Y Scale, More, Corrections, Antenna (Cable, Other, or User)**

State Saved: Saved in Instrument State

Factory Preset: No

Remote Command:

```
[ :SENSe ] :CORRection:CSET [1] | 2 | 3 | 4 [ :STATe ] OFF | ON | 0 | 1
```

```
[ :SENSe ] :CORRection:CSET [1] | 2 | 3 | 4 [ :STATe ] ?
```

Remote Command Notes: [:SENSe] :CORRection:CSET:ALL [:STATe] must be set to on for this command to function.

CSET number equivalents to front-panel access definitions are as follows:

CSET or CSET1 is Antenna
CSET2 is Cable
CSET3 is Other
CSET4 is User

Example: CORR:CSET2 ON

CORR:CSET2?

2.1.11.2.2 Edit

Accesses menu keys that allow you to create and edit an amplitude-correction factor set. It puts the analyzer into a split-screen mode where the correction data is displayed in a table under the trace data. Pressing **ESC** while in this menu will exit the menu and remove the table from the screen. New points will be applied only after the editor is closed.

Key Path: **AMPLITUDE / Y Scale, More, Corrections, Antenna (Cable, Other, or User)**

Remote Command:

`[:SENSE] :CORRection:CSET [1] | 2 | 3 | 4 :DATA
<freq>, <rel_ampl> { , <freq>, <rel_ampl> }` Creates an amplitude-correction factor set

`[:SENSE] :CORRection:CSET [1] | 2 | 3 | 4 :DATA:MERGe
<freq>, <rel_ampl> { , <freq>, <rel_ampl> }` Adds the points with the specified values to the current amplitude correction data, allowing you to merge correction data. If too much data is merged, as many points as possible are merged into the existing data and then an error is reported.

`[:SENSe] :CORRection:CSET [1] | 2 | 3 | 4 :DATA?`

Remote Command Notes: `[:SENSE] :CORRection:CSET:ALL [:STATe]` must be set to on for this command to function.

CSET number equivalents to front-panel access definitions are as follows:

CSET or CSET1 is Antenna
CSET2 is Cable
CSET3 is Other
CSET4 is User

- **<freq>** is the frequency (in Hz) where the correction should be applied; no unit is allowed in this parameter
- **<rel_ampl>** is the amount of relative amplitude correction (in dB) needed; no unit is allowed in this parameter

Example: `:CORR:CSET2:DATA 900E6,0.3,1.0E9,0.35,1.3E9,0.2`

2.1.11.2.2.1 Point

Allows you to create or edit an amplitude-correction factor data point. Up to 200 points may be defined for each set. Enter the point number to be created or edited by using the numeric keypad, then press **Enter**, or use the knob or step keys to move to an existing point. After selecting a point, **Frequency** becomes active.

Key Path: **AMPLITUDE / Y Scale, More, Corrections, Antenna (Cable, Other, or User), Edit**

State Saved: Not part of instrument state, saved in a corrections file.

Remote Command:

See [“Edit” on page 53](#).

2.1.11.2.2.2 Frequency

Allows you to enter the frequency value for an amplitude-correction point. Enter the frequency value by using the numeric keypad. Change the frequency value by using the step keys or the knob. After entering a frequency, **Amplitude** becomes active.

A frequency coordinate must always be specified for amplitude-correction factors. Amplitude-correction data is sorted in the table by frequency. The sorting occurs immediately after you have entered the frequency value via the front-panel.

NOTE The amplitude correction entered for the lowest frequency will be applied to all frequencies less than the lowest frequency entered. Similarly, the amplitude correction for the highest frequency entered will be applied to all frequencies greater than the highest frequency entered.

Key Path: **AMPLITUDE / Y Scale, More, Corrections, Antenna (Cable, Other, or User), Edit**

State Saved: Not part of instrument state, saved in a corrections file.

Remote Command:

See [“Edit” on page 53](#).

2.1.11.2.2.3 Amplitude

Allows you to enter the amplitude value for the current amplitude-correction point. After entering an amplitude, the point number automatically increments and **Frequency** becomes active to allow entry of the frequency of the next point.

Key Path: **AMPLITUDE / Y Scale, More, Corrections, Antenna (Cable, Other, or User), Edit**

State Saved: Not part of instrument state, saved in a corrections file.

Remote Command:

See [“Edit” on page 53](#).

2.1.11.2.2.4 Delete Point

Allows you to delete the amplitude-correction data for the currently selected point. The prompt “If you are sure, press key again to delete” will appear on the display. Pressing **Delete Point** again will delete the point and adjust all of the point numbers as appropriate.

Key Path: **AMPLITUDE / Y Scale, More, Corrections, Antenna (Cable, Other, or User), Edit**

Remote Command:

See [“Edit” on page 53](#).

2.1.11.2.3 Delete Corrections

Allows you to clear all data from the selected amplitude-correction set. The prompt If you are sure, press key again to delete will appear on the display. Pressing **Delete** again will delete the correction set.

Key Path: **AMPLITUDE / Y Scale, More, Corrections, Antenna (Cable, Other, or User)**

Remote Command:

```
[ :SENSe ] :CORRection:CSET [1] | 2 | 3 | 4 :DELeTe
```

Remote Command Notes: CSET number equivalents to front-panel access definitions are as follows:

- CSET or CSET1 is Antenna
- CSET2 is Cable
- CSET3 is Other
- CSET4 is User

Example: CORR : CSET4 : DEL

2.1.11.3 Freq Interp

Allows you to determine how trace values are computed between points in a correction table. If the linear mode is selected, a straight line is used between points in the correction table (for a linear frequency scale and for a decibel amplitude scale). If the logarithmic mode is selected, frequency values between points are computed by first taking the logarithm of both table values and the intermediate value, while using decibel amplitude values.

Key Path: **AMPLITUDE / Y Scale, More, Corrections**

State Saved: Not saved in instrument state

Factory Preset: Not affected by Factory Preset. Will be set to linear by Restore Factory Defaults.

Remote Command:

```
[ :SENSE ] :CORRection:CSET[1] | 2 | 3 | 4 :X:SPACing LINear | LOGarithmic
```

Example: CORR:CSET4:X:SPAC LOG

2.1.11.4 Delete All Corrections

Allows you to delete all amplitude-correction sets.

Key Path: **AMPLITUDE / Y Scale, More, Corrections**

Dependencies/

Couplings: If corrections are on, corrections are turned off.

Remote Command:

```
[ :SENSE ] :CORRection:CSET:ALL:DELeTe
```

Example: CORR:CSET:ALL:DEL

2.1.12 Ext Amp Gain

Compensates for external gain/loss. The function is similar to the Ref Lvl Offset function, however the value is considered, along with the maximum mixer level setting, to determine the attenuation required (10 dB of Attenuation is added for every 10 dB of External Amp Gain). The gain is subtracted from the amplitude readout so that the displayed signal level represents the signal level at the input of the external device.

Gains may only be entered with the numeric keypad or programming commands, not the knob or step keys.

Key Path: **AMPLITUDE / Y Scale**

State Saved: Saved in Instrument State, and survives Preset and power cycle

Factory
Default: 0 dB

NOTE Ext Amp Gain is not affected by Factory Preset or power cycle. It can be reset to the factory default by pressing **System, Restore Sys Defaults**.

Range: -81.90 dB to 81.90 dB

Remote Command:

`[:SENSe] :CORRection:OFFSet [:MAGNitude] <relative_power> (in dB)`

`[:SENSe] :CORRection:OFFSet [:MAGNitude] ?`

Example: `CORR:OFFS:MAGN 7.3 DB`

Sets the Ext Amp Gain to 7.3 dB. The only valid suffix is dB. If no suffix is sent, dB is assumed.

2.1.13 Atten Step

Permits the selection of 2 dB or 10 dB step resolution for input attenuation.

Key Path: **AMPLITUDE / Y Scale**

Saved State: Saved in instrument state

Factory Preset: 2 dB

Remote Command:

`[:SENSe] :POWer [:RF] :ATTenuation:STEP [:INCRement] <integer> (in dB)`

`[:SENSe] :POWer [:RF] :ATTenuation:STEP [:INCRement] ?`

Example: `POW:ATT:STEP 10`

Sets the Attenuation to 10 dB. The only valid suffix is dB. If no suffix is sent, dB is assumed.

If a value >5 is entered, 10 is used.

If a value ≤5 is entered, 2 is used

2.1.14 Max Mixer Lvl

Enables you to set the relationship between the highest signal that can be displayed (the reference level) and the input attenuation. The relationship applies whenever the **Attenuation** is set to **Auto**. The relationship is that the attenuation is given by reference level minus the max mixer level. For example, as the reference level changes, the input attenuator changes to ensure that a signal at the reference level does not exceed the **Max Mixer Lvl** setting.

Key Path: **AMPLITUDE / Y Scale**

State Saved: Saved in Instrument State

Factory Preset: -10 dBm

Range: -50 dBm to -10 dBm (internal mixing)
 -50 dBm to +10 dBm (external mixing)

Remote Command:

```
[ :SENSe ] :POWer [ :RF ] :MIXer :RANGe [ :UPPer ] <power>
```

```
[ :SENSe ] :POWer [ :RF ] :MIXer :RANGe [ :UPPer ] ?
```

Example: POW:MIX:RANG -15 dBm

2.2 Auto Couple

Coupled functions are functions that are linked/dependent on other functions. Pressing **Auto Couple** displays some of the most important coupled analyzer functions.

An example of a coupled function is Res BW (resolution bandwidth). When Res BW is set to auto, the Res BW is automatically set based on the span setting.

Coupled functions are affected depending on how they are coupled. For example, Video BW is *coupled to* Res BW, so changing Res BW affects Video BW, but changing Video BW does not affect Res BW. Changing Video BW puts it in manual (instead of auto-coupled). When Video BW is set to **Man** it is unaffected by Res BW changes.

When a function is in the **Man** state, a # will appear next to its annotation on the display. If one or more functions are manually set so that the amplitude or frequency measurement becomes uncalibrated, “Meas Uncal” appears on the top right side of the graticule.

2.2.1 Auto All

Auto-couples all coupled functions. If **Auto All** is pressed all coupled functions are set to **Auto**. Setting any auto coupled function to **Man** (manual), uncouples that function without changing the coupling of other functions.

Coupled functions are functions that are linked. When **Auto All** is pressed, the analyzer automatically couples all instrument settings that have auto/man choices. In most cases, these auto settings give the most accurate measurements and optimum dynamic range. When a function is coupled, it is in the **Auto** state. When it is uncoupled it is in the **Man** state.

Key Path: **Auto Couple**

Dependencies/

Couplings: When **Auto All** is selected:

- **Resolution BW** couples to: **Span** and **Span/RBW**
- **Video BW** couples to: **Res BW** and **VBW/RBW**
- **Sweep Time** couples to: **Res BW**; **Video BW**; **Detector**; **Span** and **Center Frequency**
- **CF Step** couples to: **Span** in swept spans, to **Res BW** in zero span
- **Attenuation** couples to: **Ref Level**; **Ext Amp Gain**; **Atten Step**; **Max Mixer Lvl**; and **Int Preamp**
- **FFT & Sweep** couples to: **Res BW** and **Span**
- **PhNoise Opt** (phase noise optimization) couples to: **Res BW**; **Span** and **FFT & Sweep** sweep type
- **Detector** couples to: marker functions; **Avg/VBW Type**; **Average On Off**; **Max Hold** and **Min Hold**
- **Average Type** couples to: the marker functions; **Detector** and **Scale Type**
- **ADC Dither** couples to: **Sweep Type**; **Span**; **Res BW**; **ADC Ranging** and **FFTs/Span**

- **VBW/RBW** ratio is set to 1.0
- **Span/RBW** ratio is set to Auto
- **Auto Sweep Time** is set to Normal
- **FFT & Sweep** is set to Auto:Best Dynamic Range
- **ADC Ranging** is set to Autorange
- **Marker Count, Gate Time** is set to Auto

NOTE **Marker Trace** and **Printer** have an **Auto** setting, but are not affected by **Auto All**.

Remote Command:

:COUPle ALL|NONE

:COUPle?

Remote Command Notes: sets all the functions to the manual (not coupled) mode. There is no front-panel key equivalent to the COUPle NONE command.

ALL puts all the functions into the auto coupled mode.

Example: COUP ALL

2.2.2 FFT & Sweep

Selects the FFT vs. Sweep key functions.

NOTE FFT “sweeps” should not be used when making EMI measurements. When an EMI detector is selected, **Manual:FFT** is grayed out. If **Manual:FFT** is selected first, the EMI detectors are grayed out.

Key Path: Auto Couple

Remote Command:

[:SENSe] :SWEep:TYPE AUTO|FFT|SWEep changes the sweep type to FFT or swept, or it lets the analyzer automatically choose the type of analysis to use based on current instrument settings.

[:SENSe] :SWEep:TYPE?

Example: SWE:TYPE FFT

2.2.2.1 Auto: Best Dynamic Range

This function is automatically activated when **Auto All** is selected. Selecting **Auto: Best Dynamic Range** tells the analyzer to choose between swept and FFT analysis, with a primary goal of optimizing dynamic range. If the dynamic range is very close between swept and FFT, then it chooses the faster one.

While **Zero Span** is selected, this key is grayed out. The status of the FFT & Swept selection is saved when entering zero span and is restored when leaving zero span.

Key Path: **Auto Couple, FFT & Sweep**

Saved State: Saved in instrument state

Remote Command:

[:SENSE] :SWEep:TYPE:AUTO:RULEs SPEed|DRANge selects the rules to use when SWE:TYPE AUTO is selected. This setting, combined with your current analyzer setup, is used to select either FFT or swept mode.

[:SENSe] :SWEep:TYPE:AUTO:RULEs?

Example: SWEep:TYPE AUTO selects the automatic mode.

SWE:TYPE:AUTO:RUL DRAN sets the rules for the auto mode to dynamic range.

2.2.2.2 Auto: Best Speed

Selecting **Auto: Best Speed** tells the analyzer to choose between FFT or swept analysis based on the fastest analyzer speed. While **Zero Span** is selected, this key is grayed out. The auto-couple settings are kept in memory and are restored whenever leaving **Zero Span**.

Key Path: **Auto Couple, FFT & Sweep**

Saved State: Saved in instrument state

Remote Command:

[:SENSE] :SWEep:TYPE:AUTO:RULEs SPEed|DRANge selects the rules to use when SWE:TYPE AUTO is selected. This setting, combined with your current analyzer setup, is used to select either FFT or swept mode.

See “Auto: Best Dynamic Range” on page 60.

Example: SWEep:TYPE AUTO selects the automatic mode.

SWE:TYPE:AUTO:RUL SPE sets the rules for the auto mode to speed

2.2.2.3 Manual: Swept

Manually selects swept analysis, so it cannot change automatically to FFT.

While **Zero Span** is selected, this key is grayed out. The status of the FFT & Swept selection is saved when entering zero span and is restored when leaving zero span.

Key Path: **Auto Couple, FFT & Sweep**

Saved State: Saved in instrument state

Remote Command:

Use [:SENSE] :SWEep:TYPE AUTO|FFT|SWEep

See “FFT & Sweep” on page 60.

Example: SWE:TYPE SWE

2.2.2.4 Manual: FFT

Manually selects FFT analysis, so it cannot change automatically to swept.

While **Zero Span** is selected, this key is grayed out. The status of the FFT & Swept selection is saved when entering zero span and is restored when leaving zero span.

TIP Making Gated FFT Measurements With Your PSA

The process of making a spectrum measurement with FFTs is inherently a “gated” process, in that the spectrum is computed from a time record of short duration, much like a gate signal in swept-gated analysis.

The duration of the time record is 1.83 divided by the RBW, within a tolerance of about 3% for bandwidths up through 1 MHz. Therefore, unlike swept gated analysis, the duration of the analysis is fixed by the RBW, not by the gate signal. Because FFT analysis is inherently faster than swept analysis, the gated FFT measurements can have better frequency resolution (a narrower RBW) than would swept analysis for a given duration of the signal to be analyzed.

FFT analysis in the PSA usually involves making autoranged measurements, and the time required to autorange the FFT can be both long and inconsistent. The PSA hardware automatically sets the **ADC Ranging to Bypass** when any trigger, except **Free Run** is selected.

The width of a single FFT measurement can be up to 10 MHz, so gated FFT measurements can only be made for spans of 10 MHz or less.

To make a gated FFT measurement, set the analyzer as follows.

1. Press **Auto Couple, FFT & Sweep** to select **Manual: FFT**.
2. Set the resolution bandwidth to 1.83 divided by the required analysis time, or higher, by pressing **BW/Avg, Res BW**.
3. Set the trigger source to the desired trigger, by pressing **Trig**.
4. Set the trigger delay to observe the signal starting at the required time relative to the trigger. Negative delays are possible, by pressing **Trig, Trig Delay**.

Key Path: **Auto Couple, FFT & Sweep**

Remote Command:

Use [:SENSe]:SWEep:TYPE AUTO|FFT|SWEep

See “FFT & Sweep” on page 60.

Example: SWE:TYPE FFT

2.2.2.5 FFTs/Span

Displays and controls the number of FFT segments used to measure the entire Span. This key is inactive (grayed out) unless **Sweep Type** has been set to FFT. If **Sweep Type** is set to Auto and FFTs are selected, FFTs/Span is still grayed out, and the number of FFTs automatically selected is shown. If **Sweep Type** is set to **Manual:FFT**, **FFTs/Span** becomes available. Press **FFTs/Span** and an integer can be entered. The analyzer will try to use the number entered, but it may need to use more due to hardware or software limitations.

An FFT can only be performed over a limited span or segment (also known as the FFT width). Several FFT widths may need to be combined to measure the entire span. The “FFT Width” is (Span)/(FFTs/Span), and affects the ADC Dither function. (See **Auto Couple**).

FFT measurements require that the signal level driving the A/D converter in the IF be small enough to avoid overloading, and that the gain that controls that signal level remain fixed during the the measurement of an entire FFT segment. This constraint can allow higher dynamic ranges in swept mode in some cases, but increasing FFTs/Span can restore that dynamic range to FFT measurements, at the expense of losing some of the speed advantages of the FFT.

For example, in pulsed-RF measurements such as radar, it is often possible to make high dynamic range measurements with signal levels approaching the compression threshold of the analyzer in swept spans (well over 0 dBm), while resolving the spectral components to levels below the maximum IF drive level (about -8 dBm at the input mixer). But FFT processing experiences overloads at the maximum IF drive level even if the RBW is small enough that no single spectral component exceeds the maximum IF drive level. If the user reduces the width of an FFT using the FFTs/Span function, an analog filter is placed before the ADC that is about 1.3 times as wide as the FFT segment width. This spreads out the pulsed RF in time and reduces the maximum signal level seen by the ADC. Therefore, the input attenuation can be reduced and the dynamic range increased without overloading the ADC.

Further improvement in dynamic range is possible by changing the ADC gain. In swept analysis in PSA, the gain is normally autoranged such that it can track the signal power as the analyzer sweeps through CW-like signals. Since FFT processing cannot autorange the gain within the measurement of a single FFT segment, the autoranging advantage is lost for single FFT measurements. But if the segments are reduced in width by using more FFTs/Span, then individual FFT segments can use higher gains, improving dynamic range.

Additional information about selecting FFTs/Span can be found in a product note, "PSA Series Swept and FFT Analysis," literature number 5980-3081EN, available on-line through <http://www.agilent.com>.

Key Path: **Auto Couple, FFT & Sweep**
State Saved: Saved in Instrument State
Factory Preset: 1
Range: 1 to 400000

Remote Command:

[:SENSE]:SWEep:FFT:SPAN:RATio <integer>

[:SENSE]:SWEep:FFT:SPAN:RATio?

Example: SWE:FFT:SPAN:RAT 20

2.2.3 PhNoise Opt

Selects the LO (local oscillator) phase noise behavior for various operating conditions. The currently selected value is displayed below the ϵ (ϵ) indicator on the left side of the screen. It is preceded by # if **Auto** has been selected ($\#\epsilon$ (ϵ)). The key labels indicate measurement situations where a specific type of optimization is best.

Key Path: **Auto Couple**

State Saved: Saved in instrument state

Factory Preset: Auto

Remote Command:

[:SENSE]:FREQuency:SYNTHeSis 1|2|3

1, selects optimization of phase noise for measuring signals with frequency offset <50 kHz from the carrier.

2, selects optimization of phase noise for measuring signals with frequency offset >50 kHz from the carrier.

3, selects optimization of LO phase noise for fast tuning (that is, faster measurements)

[:SENSE]:FREQuency:SYNTHeSis?

[:SENSE]:FREQuency:SYNTHeSis:AUTO OFF|ON|0|1

[:SENSE]:FREQuency:SYNTHeSis:AUTO?

Example: FREQ:SYNT:AUTO OFF

FREQ:SYNT 3, selects optimization for fast tuning

2.2.3.1 Auto

Selects the LO phase noise behavior to optimize speed or dynamic range for various instrument operating conditions.

For PSA, the **Auto** rules choose:

- **Fast Tuning**, for span ≥ 10.5 MHz or the Res BW > 200 kHz
- **Optimize $\epsilon(f)$ for $f > 50$ kHz**, for spans > 141.4 kHz, and for Res BWs > 9.1 kHz
- **Optimize $\epsilon(f)$ for $f < 50$ kHz**, for all other spans and Res BWs.

Key Path: **Auto Couple, PhNoise Opt**

Remote Command:

See “PhNoise Opt” on [page 65](#).

Example: `FREQ:SYNT:AUTO ON`

2.2.3.2 Optimize $\mathcal{E}(f)$ for frequencies < 50 kHz

The LO phase noise is optimized for measuring signals with offsets less than 50 kHz from the carrier, at the expense of phase noise beyond 50 kHz offset.

Key Path: **Auto Couple, PhNoise Opt**

Remote Command:

See “PhNoise Opt” on [page 65](#).

Example: `FREQ:SYNT 1`

2.2.3.3 Optimize $\mathcal{E}(f)$ for frequencies > 50 kHz

Optimizes phase noise for measuring offsets more than 50 kHz from the carrier, especially those from 70 kHz to 300 kHz. Closer offsets are compromised and the throughput of measurements (especially remote measurements where the center frequency is changing rapidly), is reduced. There is a graph of typical phase noise performance in the Specifications Guide.

Key Path: **Auto Couple, PhNoise Opt**

Remote Command:

See “PhNoise Opt” on [page 65](#).

Example: `FREQ:SYNT 2`

2.2.3.4 Optimize LO for Fast Tuning

In this mode, the LO behavior compromises phase noise at all offsets from the carrier below approximately 2 MHz. This allows rapid measurement throughput when changing the center frequency or span.

Key Path: **Auto Couple**

Remote Command:

See “PhNoise Opt” on [page 65](#).

Example: `FREQ:SYNT 3`

2.2.4 Detector

See **Detector** in Det/Demod menu.

Key Path: **Auto Couple**

2.2.5 Avg/VBW Type

See **Avg/VBW Type** in the BW/Avg menu.

Key Path: **Auto Couple**

2.2.6 ADC Dither

Access the menu to set **ADC Dither** to **On**, **Off**, or **Auto**.

Key Path: **Auto Couple**

Remote Command:

```
[ :SENSe] :ADC:DITHer [ :STATe] OFF | ON | AUTO
```

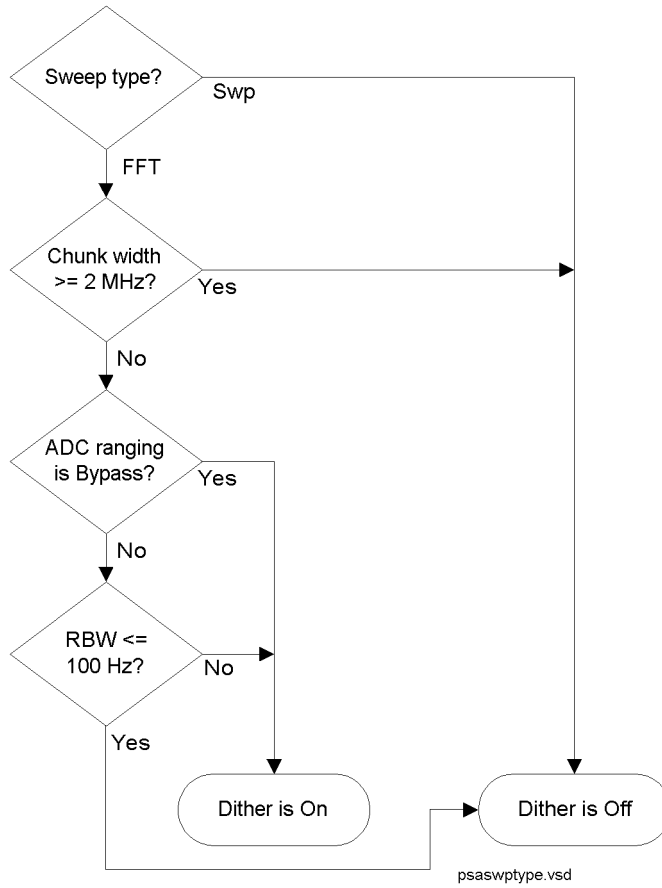
```
[ :SENSe] :ADC:DITHer [ :STATe] ?
```

Example: `:ADC:DITH OFF`

2.2.6.1 Auto

Turns the ADC dither to automatic. It then chooses on or off according to which is most likely to be the best selection, based on the other analyzer settings such as span, resolution

BW and sweep type (FFT or swept).



Key Path: **Auto Couple**
State Saved: Saved in instrument state
Factory Preset: Auto

Remote Command:

Use [:SENSe]:ADC:DITHer[:STATe] AUTO
Example: ADC:DITH AUTO

2.2.6.2 On

When **ADC Dither** is **On**, the linearity of low-level signals is improved. However, the ADC dynamic range is reduced to make room for the dither. As a result, the noise floor of the analyzer is somewhat compromised. So making measurements with ADC dither on gives you better amplitude linearity, but turning ADC dither off gives you a lower noise floor (better sensitivity).

Key Path: **Auto Couple**
State Saved: Saved in instrument state

Remote Command:

[:SENSe]:ADC:DITHer[:STATe] ON
Example: ADC:DITH ON

2.2.6.3 Off

When **ADC Dither** is **Off**, the instrument noise floor is improved. If ADC dither is on the ADC dynamic range is reduced to make room for the dither. As a result, the noise floor of the analyzer is somewhat compromised. So making measurements with ADC dither on gives you improved amplitude linearity. but turning ADC dither off gives you a lower noise floor (better sensitivity).

Key Path: **Auto Couple**
State Saved: Saved in instrument state

Remote Command:

Use [:SENSe]:ADC:DITHer[:STATe] OFF
Example: :ADC:DITH OFF

2.2.7 ADC Ranging

Accesses the keys to set the ADC ranging to provide for the best signal to noise ratio (**Bypass**), or for the best FFT speed (**Autorange**).

Key Path: **Auto Couple**

State Saved: Saved in Instrument State

Factory Preset: Autorange

Remote Command:

```
[ :SENSe ] :ADC:RANGe AUTO|NONE
```

```
[ :SENSe ] :ADC:RANGe?
```

Remote Command Notes:

Example:

```
ADC:RANG NONE
```

2.2.7.1 Autorange

Turns the ADC ranging to automatic which provides the best signal to noise ratio. Auto Couple All sets the ADC ranging to Autorange. Autorange is usually preferred over Bypass.

Key Path: **Auto Couple**

State Saved: Saved in Instrument State

Remote Command:

Example: `ADC:RANG AUTO`

2.2.7.2 Bypass

Turning the ADC ranging to bypass mode allows higher throughput for FFT measurements. (It can improve FFT measurement speed by 10% to 50%.) Bypass also provides better phase noise, though the effect is negligible when using swept analysis or for offsets below 300 kHz. The $\mathcal{L}(f)$ improvement is a few dB in FFT mode at 800 kHz offset.

Bypass allows triggered FFT measurements to occur at the trigger time instead of following an autoranging time. Therefore, whenever the trigger selected is anything other than **Free Run**, and the **Manual:FFT** sweep selection is made, the ADC hardware is set to Bypass regardless of the setting of ADC Ranging. See [“Making Gated FFT Measurements With Your PSA” on page 63](#). Another advantage of Bypass is lower IF harmonic distortion, which may be visible with very high signal levels at the input mixer.

Key Path: **Auto Couple**

State Saved: Saved in Instrument State

Remote Command:

Example: `ADC:RANG NONE`

2.3 BW/Avg

Activates the resolution bandwidth function, and displays the menu keys that control both the bandwidth and averaging functions.

2.3.1 Res BW

Enables you to select the 3.01 dB resolution bandwidth (RBW) of the analyzer in 10% steps from 1 Hz to 3 MHz, plus bandwidths of 4, 5, 6, or 8 MHz.

If an unavailable bandwidth is entered with the numeric keypad, the closest available bandwidth is selected.

Sweep time is coupled to RBW. As the RBW changes, the sweep time (if set to **Auto**) is changed to maintain amplitude calibration.

Video bandwidth (VBW) is coupled to RBW. As the resolution bandwidth changes, the video bandwidth (if set to **Auto**) changes to maintain the ratio set by **VBW/RBW**.

When Res BW is set to **Auto**, resolution bandwidth is autocoupled to span, except when using the CISPR and MIL detectors (Quasi Peak, EMI Average EMI Peak and MIL Peak). For these detectors, Auto RBW coupling is to the center frequency. The ratio of span to RBW is set by **Span/RBW** (described on [page 82](#)). The factory default for this ratio is approximately 106:1 when auto coupled. When Res BW is set to **Man**, bandwidths are entered by the user, and these bandwidths are used regardless of other analyzer settings.

NOTE In zero span, the auto/manual function of this key is not applicable. When **Res BW (Auto)** is selected in non-zero span, any changes to Res BW while in zero span will revert to the Auto value when you return to non-zero span. When **Res BW (Man)** is selected in non-zero span, any changes to Res BW while in zero span will be maintained when you return to non-zero span.

NOTE When the Quasi Peak or one of the EMI detectors are selected, the resolution bandwidths available are restricted to the set defined in Table 2-2, “CISPR Bandwidths with RBW Set to Auto,” on page 91. When the MIL Peak detector is selected, the resolution bandwidths available are restricted to the set defined in Table 2-4, “MIL Specifications for Bandwidth vs. Frequency with RBW Set to Auto,” on page 94.

A # mark appears next to Res BW on the bottom of the analyzer display when it is not coupled. To couple the resolution bandwidth, press **Res BW (Auto)** or **Auto All**.

NOTE For applications that require 6 dB resolution bandwidths, it is possible to use an equivalent 3 dB resolution bandwidth. Because the analyzer has Gaussian RBW, the equivalent 6 dB bandwidth of any RBW filter can be determined using the following formula: $6 \text{ dB RBW} = 3 \text{ dB RBW} \times 1.414$. For example, if a 6 dB RBW of 100 kHz is required, the equivalent 3 dB RBW Filter would be $100 \text{ kHz} / 1.414 = 70.7 \text{ kHz}$. The closest RBW filter for the analyzer that would be used is 68 kHz.

Key Path: **BW/Avg**

Saved State: Saved in Instrument State

Factory Preset: Auto (3 MHz)

Range: 1 Hz to 8 MHz

Remote Command:

```
[ :SENSe ] :BANDwidth | BWIDth [ :RESolution ] <freq>
```

```
[ :SENSe ] :BANDwidth | BWIDth [ :RESolution ] ?
```

```
[ :SENSe ] :BANDwidth | BWIDth [ :RESolution ] :AUTO OFF | ON | 0 | 1
```

```
[ :SENSe ] :BANDwidth | BWIDth [ :RESolution ] :AUTO?
```

Example: BAND 1 kHz

BAND?

BWID:AUTO On

BWID:AUTO?

2.3.2 Video BW

Enables you to change the analyzer post-detection filter from 1 Hz to 8 MHz in approximately 10% steps. In addition, a wide-open video filter bandwidth (VBW) may be chosen by selecting 50 MHz. **Video BW (Auto)** selects automatic coupling of the Video BW filter to the resolution bandwidth filter using the VBW/RBW ratio set by the **VBW/RBW** key.

NOTE Sweep Time is coupled to Video Bandwidth (VBW). As the VBW is changed, the sweep time (when set to **Auto**) is changed to maintain amplitude calibration. This occurs because of common hardware between the two circuits, even though the Video BW filter is not actually “in-circuit” when the detector is set to Average. Because the purpose of the average detector and the VBW filter are the same, either can be used to reduce the variance of the result.

Although the VBW filter is not “in-circuit” when using the average detector, the Video BW key can have an effect on (**Auto**) sweep time, and is not disabled. In this case, reducing the VBW setting increases the sweep time, which increases the averaging time, producing a lower-variance trace.

However, when the EMI Average detector is selected, the Video BW is restricted to 1 Hz while the sweep time is set to **Auto**.

When using the average detector with either **Sweep Time** set to **Man**, or in zero span, the VBW setting has *no* effect and is disabled (grayed out).

A “#” mark appears next to VBW on the bottom of the analyzer display when it is not coupled. To couple the video bandwidth, press **Video BW (Auto)** (or press **Auto All**).

Key Path: **BW/Avg**

Saved State: Saved in Instrument State

Factory Preset: Auto (3 MHz)

Range: 1 Hz to 50 MHz

Remote Command:

```
[ :SENSe ] :BANDwidth|BWIDth:VIDeo <freq>
```

```
[ :SENSe ] :BANDwidth|BWIDth:VIDeo?
```

```
[ :SENSe ] :BANDwidth|BWIDth:VIDeo:AUTO OFF|ON|0|1
```

```
[ :SENSe ] :BANDwidth|BWIDth:VIDeo:AUTO?
```

Example: BAND:VID 1 kHz

```
BAND:VID?
```

```
BWID:VID:AUTO ON
```

```
BWID:VID:AUTO?
```

2.3.3 VBW/RBW

Selects the ratio between the video and resolution bandwidths in a 1, 3, 10 sequence. Video bandwidth wider than resolution bandwidth (VBW/RBW ratio > 1.000), provides the best peak measurements of signals such as wideband radar pulses. VBW narrower than RBW (VBW/RBW ratio < 1.000) reduces the variance of noise-like signals and makes spectral components close to the noise floor easier to view. The knob and step keys change the ratio in a 1, 3, 10 sequence. If the numbered keys are used, the VBW/RBW ratio will be rounded to the nearest 1, 3, or 10 response. Pressing **Preset** or selecting **Auto Couple**, **Auto All** sets the ratio to 1.000 X. When **VBW/RBW (Auto)** is selected, the ratio is determined as indicated below.

NOTE This key is grayed out when the Quasi Peak or EMI Average detector is selected.

Table 2-1 VBW/RBW Ratio Auto Rules

Detector Mode	Noise Marker	Ratio	Notes
Peak	On	10	Noise response is estimated for wide VBW case
Negative Peak	On	10	Don't care
Average	On	0.1	Narrow VBW for low-sigma marker readout
Normal	On	0.1	Don't care (noise marker makes is not valid with normal detection.)
Sample	On	0.1	Narrow VBW for low-sigma marker readout
Peak	Off	10	Wide VBW for good impulse BW (pulsed RF)
Negative peak	Off	10	Don't care
Average	Off	0.1	Narrow VBW for low-sigma trace results
Normal	Off	1.0	Swept analysis CW signal setting
Sample	Off	1.0	Wide VBW for good impulse BW (pulsed RF)

Key Path: **BW/Avg**

Saved State: Saved in Instrument State

Factory Preset: Auto (1.0)

Range: 0.00001 to 3.0e6 (3,000,000), in a 1, 3, 10 sequence

Remote Command:

```
[ :SENSe ] :BANDwidth | BWIDth:VIDeo:RATio <number>
[ :SENSe ] :BANDwidth | BWIDth:VIDeo:RATio?
[ :SENSe ] :BANDwidth | BWIDth:VIDeo:RATio:AUTO OFF | ON | 0 | 1
[ :SENSe ] :BANDwidth | BWIDth:VIDeo:RATio:AUTO?
```

Example: BAND:VID:RAT 2
 BAND:VID:RAT?
 BAND:VID:RAT:AUTO 0
 BAND:VID:RAT:AUTO?

2.3.4 Average

Initiates a digital averaging routine that averages the trace points in a number of successive sweeps, resulting in trace “smoothing.” You can select the number of sweeps (average number) with the numeric keypad (*not* the knob or step keys). Increasing the average number further smooths the trace. To select the type of averaging used, press **BW/Avg, Avg/VBW Type**.

Averaging restarts when any of the following occurs:

- a new average number is entered.
- any measurement related parameter (e.g., center frequency) is changed.
- **Restart** is pressed.
- **Single Sweep** is pressed.

In single sweep, the specified number of averages is taken, then the sweep stops. In continuous sweep, the specified number of averages is taken, then the averaging continues, with each new sweep averaged in with a weight of $\frac{1}{\text{Average Number}}$ and the old average reduced by multiplying it by $\frac{\text{Average Number} - 1}{\text{Average Number}}$.

To turn off averaging, press **Average (Off)**.

Key Path: **BW/Avg**

Saved State: Saved in Instrument State

Factory Preset: Off, 100 averages

Range: Count: 1 to 8192

Remote Commands:

```
[ :SENSE ] :AVERAge [ :STATE ] OFF | ON | 0 | 1
```

```
[ :SENSe ] :AVERAge [ :STATE ] ?
```

```
[ :SENSe ] :AVERAge :COUNT <integer>
```

```
[ :SENSe ] :AVERAge :COUNT ?
```

```
[ :SENSe ] :AVERAge :CLEAr
```

Remote Command Notes: For valid average data, you must re-start the trace at the beginning of a sweep. To do this remotely, first abort (:ABORT) the sweep and then initiate a single sweep (:INIT:CONT OFF).

Example: AVER ON

AVER:COUN 100

AVER:CLE clears the current average and restarts the averaging process.

2.3.5 Avg/VBW Type

Displays the functions that enable you to automatically or manually choose one of the following averaging scales: log-power (video), power (RMS), or voltage averaging.

NOTE When you select log-power averaging, the measurement results are the average of the signal level in logarithmic units (decibels). When you select power average (RMS), all measured results are converted into power units before averaging and filtering operations, and converted back to decibels for displaying. *Remember:* there can be significant differences between the average of the log of power and the log of the average power.

The following are the averaging processes within a spectrum analyzer, all of which are affected by this setting:

- Trace averaging (see **BW/Avg**) averages signal amplitudes on a trace-to-trace basis.
- Average detector (see **Detector, Average**) averages signal amplitudes during the time or frequency interval represented by a particular measurement point.
- Noise Marker (see **Marker Noise**) averages signal amplitudes across measurement points to reduce variations for noisy signals.
- VBW filtering adds video filtering which is a form of averaging of the video signal.

When manual is selected, the type is shown on the left side of the display with a #. When auto is selected, the analyzer chooses the type of averaging. When one of the average types is selected manually, the analyzer uses that type regardless of other analyzer settings, and sets **Avg/VBW Type** to **Man**.

Key Path: **BW/Avg** or **Auto Couple**

Saved State: Saved in Instrument State

Factory Preset: Auto (Log-power)

Remote Command:

```
[ :SENSE ] :AVERAge:TYPE RMS | LOG | SCALar
```

```
[ :SENSe ] :AVERAge:TYPE?
```

```
[ :SENSe ] :AVERAge:TYPE:AUTO OFF | ON | 0 | 1
```

```
[ :SENSe ] :AVERAge:TYPE:AUTO?
```

Example:

<code>AVER:TYPE:RMS</code>	Sets Power (RMS) averaging
<code>AVER:TYPE:SCAL</code>	Sets Voltage averaging
<code>AVER:TYPE:LOG</code>	Sets Log-Power (video) averaging

2.3.5.1 Auto

Chooses the optimum type of averaging for the current instrument measurement settings.

Auto selects Power (RMS) Averaging if **Marker Noise** is on, **Band/Intvl Power** is on, or **Detector** is set to **Man** and **Average**. It selects Voltage Averaging if **Amplitude, Scale Type** is set to **Lin** or **Detector** is set to **Quasi Peak** or **EMI Average**. For other conditions, **Auto** selects **Log-Power Average**.

Key Path: **BW/Avg, Avg/VBW Type**

Remote Command:

See [“Avg/VBW Type” on page 79](#).

Example: `AVER:TYPE:AUTO ON`

2.3.5.2 Log-Pwr Avg (Video)

Selects the logarithmic (decibel) scale for all filtering and averaging processes. This scale is sometimes call “Video” because it is the most common display and analysis scale for the video signal within a spectrum analyzer. This scale is excellent for finding CW signals near noise, but its response to noise-like signals is 2.506 dB lower than the average power of those noise signals. This is compensated for in the Marker Noise function. When this type of averaging is selected, **LgAv** appears on the left side of the display.

The equation for trace averaging on the log-pwr scale is shown below, where N is the number of averages accumulated. (In continuous sweep mode, once N has reached the Average Number, N stays at that value, providing a running average.)

$$\text{New avg} = \frac{(N - 1)\text{Oldavg} + \text{Newdata}}{N}$$

Assumes all values in decibel scale.

Key Path: **BW/Avg, Avg/VBW Type**
or **Auto Couple, Avg/VBW Type**

Remote Command:

See [“Avg/VBW Type” on page 79](#).

Example: `AVER:TYPE LOG`

2.3.5.3 Pwr Avg (RMS)

In this average type, all filtering and averaging processes work on the power (the square of the magnitude) of the signal, instead of its log or envelope voltage. This scale is best for measuring the true time power of complex signals. This scale is sometimes called RMS because the resulting voltage is proportional to the square root of the mean of the square of the voltage. When this type of averaging is selected, PAvg appears on the left side of the display.

In the equation for averaging on this scale (below), N is the number of averages accumulated. (In continuous sweep mode, once N has reached the Average Number, N stays at that value.)

$$\text{New Avg} = 10 \times \log \left(\frac{(N-1) \times 10^{\frac{\text{Old Avg}}{10}} + 10^{\frac{\text{New data}}{10}}}{N} \right)$$

Assumes all values in dB.

Key Path: **BW/Avg, Avg/VBW Type**
or **Auto Couple, Avg/VBW Type**

Remote Command:

See [“Avg/VBW Type” on page 79](#).

Example: `AVER:TYPE RMS`

2.3.5.4 Voltage Avg

In this Average type, all filtering and averaging processes work on the voltage of the envelope of the signal. This scale is good for observing rise and fall behavior of AM or pulse-modulated signals such as radar and TDMA transmitters, but its response to noise-like signals is 1.049 dB lower than the average power of those noise signals. This is compensated for in the Marker Noise function. When this type of averaging is selected, **VAvg** appears on the left side of the display.

In the equation for averaging on this scale (below), **N** is the number of averages accumulated. (In continuous sweep mode, once **N** has reached the Average Number, **N** stays at that value.)

$$\text{New Avg} = 20 \times \log \left(\frac{(N - 1) \times 10^{\frac{\text{Old Avg}}{20}} + 10^{\frac{\text{New data}}{20}}}{N} \right)$$

Assumes all values in dB.

Key Path: **BW/Avg, Avg/VBW Type**
 or **Auto Couple, Avg/VBW Type**

Remote Command:

See “[Avg/VBW Type](#)” on page 79.

Example: `AVER:TYPE SCAL`

2.3.6 Span/RBW

Selects the ratio between span and resolution bandwidth. A factory preset sets the ratio to 106:1. The ratio can be changed using the front-panel step keys, knob, or numeric keypad.

NOTE This key is grayed out when any of the EMI detectors are selected.

Key Path: **BW/Avg**
 Saved State: Saved in Instrument State
 Factory Preset: 106:1
 Range: 2 to 10,000
 History: Added with firmware revision A.02.00

Remote Command:

```
[ :SENSe ] :FREQuency:SPAN:BANDwidth [ :RESolution ] :RATio <value>
```

```
[ :SENSe ] :FREQuency:SPAN:BANDwidth [ :RESolution ] :RATio?
```

```
[ :SENSe ] :FREQuency:SPAN:BANDwidth [ :RESolution ] :RATio:AUTO OFF | ON | 0 | 1
```

```
[ :SENSe ] :FREQuency:SPAN:BANDwidth [ :RESolution ] :RATio:AUTO?
```

Example: `FREQ:SPAN:BAND:RAT 200` sets a ratio of 200:1, and turns off the auto coupling.

```
FREQ:SPAN:BAND:RAT:AUTO ON
```

```
FREQ:SPAN:BAND:RAT?
```

2.4 Det/Demod

Displays the menu keys that select the detector.

2.4.1 Detector

Select a specific type of detector, or choose **Auto** to let the instrument select the appropriate detector for a particular measurement.

When discussing detectors, it is important to understand the concept of a trace “bucket.” For every trace point displayed in swept and zero-span analysis, there is a finite time during which the data for that point is collected. The analyzer has the ability to look at all of the data collected during that time and present a single point of trace data based on the detector mode. We call the interval during which the data for that trace point is being collected, the “bucket.” The data is sampled rapidly enough within a “bucket” that it must be reduced in some fashion to yield a single data point for each bucket. There are a number of ways to do this and which way is used depends on the detector selected. Details on how each detector does this are presented below.

In FFT analysis, the bucket represents just a frequency interval. The detector in an FFT mode determines the relationship between the spectrum computed by the FFT and the single data point displayed for the bucket.

When the **Detector** choice is **Auto**, the detector selected depends on marker functions, trace functions, and the trace averaging function.

See [“Auto Rules For Detector Selection” on page 88](#) for information on the **Auto** detector selection.

When you manually select a detector (instead of selecting **Auto**), that detector is used regardless of other analyzer settings.

The detector choices are:

- **Normal** – displays the peak of CW-like signals and maximums and minimums of noise-like signals.
- **Average** – displays the average of the signal within the bucket. The averaging method depends upon **Avg Type** selection (voltage, power or log scales).
- **Peak** – displays the maximum of the signal within the bucket.
- **Sample** – displays the instantaneous level of the signal at the center of the bucket represented by each display point.
- **Negative Peak** – displays the minimum of the signal within the bucket.
- **Quasi Peak** – a fast-rise, slow-fall detector used in making CISPR compliant EMI measurements.
- **EMI Average** – displays the instantaneous level of the signal at the center of the bucket, just like the sample detector. Also changes the auto coupling of VBW, RBW and

Avg/VBW Type and the set of available RBWs. Used in making CISPR-compliant measurements.

- **EMI Peak** – the same as the Peak detector but uses CISPR related bandwidths.
- **MIL Peak** – the same as the Peak detector but uses MIL related bandwidths.

Because they may not find the true peak of a spectral component, neither average nor sample detectors measure amplitudes of CW signals as accurately as peak or normal, but they do measure noise without the biases of peak detection.

The detector in use is indicated on the left side of the display, just below Reference level. The designators are:

- **Norm** – Normal detector
- **Avg** – Average detector
- **Peak** – Peak detector
- **Samp** – Sample detector
- **NPk** – Negative Peak detector
- **EmiQP** – Quasi Peak detector
- **EmiAv** – EMI Average detector
- **EmiPk** – Peak detector with CISPR bandwidths
- **MILPk** – Peak detector with MIL bandwidths

If the detector has been manually selected, a # appears next to it.

TIP **RMS Detection**

To measure the average power (RMS voltage) in each display point, set **Detector** to **Average**, and verify that **Avg/VBW Type** is set to **Pwr Avg** (RMS).

Key Path: **Det/Demod**

State Saved: Saved in Instrument State

Factory Preset: Normal, Auto Coupled

Remote Command:

```
[ :SENSe ] :DETEctor [ :FUNction ] NORMal | AVERage | POSitive | SAMPlE | NEGative | QPEak  
| EAVERage | EPOSitive | MPOSitiv | RMS
```

```
[ :SENSe ] :DETEctor [ :FUNction ] ?
```

The query returns a name that corresponds to the detector mode as shown by the following terms:

NORMal Normal

AVERage	Average
POSitive	Peak
SAMPle	Sample
NEGative	Negative peak
QPEak	Quasi Peak
EAVerage	EMI Average
EPOSitive	EMI Peak
MPOSitive	MIL Peak
RMS	RMS (alias)

Remote Command Notes:

The query returns a name that corresponds to the detector mode. The RMS selection is an alias which selects the Average detector and Power Averaging. Therefore, if RMS has been selected, the query will return the AVER string.

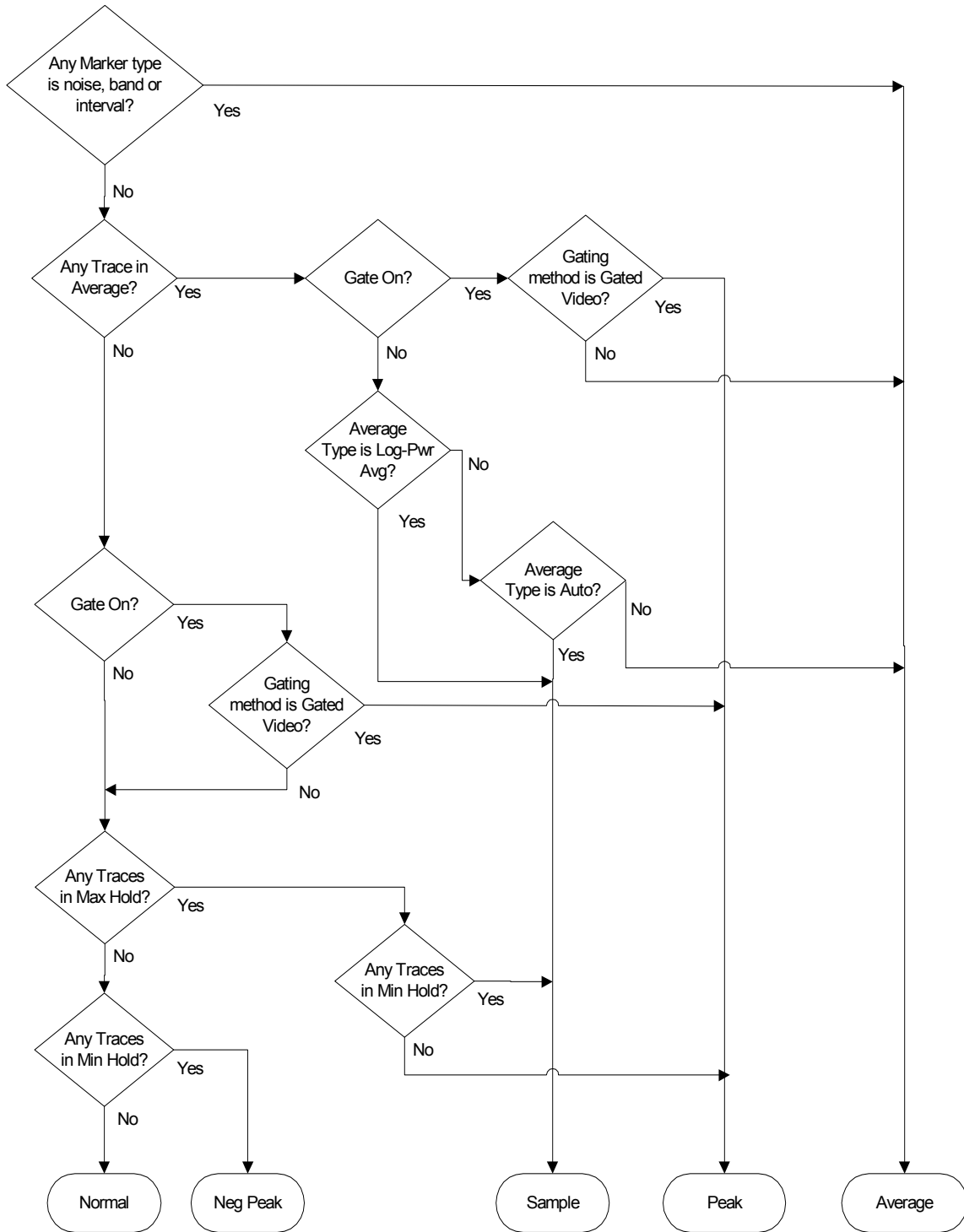
Example: DET POS

2.4.1.1 Auto

The system selects normal detection as the default, but if a condition arises where a different type of detection scheme would be better utilized, the system uses the alternate scheme. For example, when in Auto mode, the Marker Noise function uses Average detection because the system determines that the average detector has better speed/variance tradeoffs for noise-type signals.

Refer to [Figure 2-1](#), which shows a decision tree of how detection type is determined.

Figure 2-1 Auto Rules For Detector Selection



detectset.vsd

Key Path: **Det/Demod**

Factory Preset: On, Normal

Remote Command:

```
[ :SENSe] :DETEctor:AUTO OFF|ON|0|1
```

```
[ :SENSe] :DETEctor:AUTO?
```

Example: DET:AUTO ON

2.4.1.2 Normal

Displays the peak-detected level in the interval (bucket) being displayed when the signal is CW-like. If the signal is noise-like (within a bucket the signal both rose and fell), the even bucket shows the peak (maximum) within a two-bucket interval, and the odd bucket shows the negative peak (minimum). Gain is increased to compensate for the effects of faster sweep rates, to keep the displayed value of CW signals accurate.

When **Normal** is selected, Norm appears on the left side of the display.

Key Path: **Det/Demod**

Remote Command:

See “[Detector](#)” on page 85.

Example: DET NORM

2.4.1.3 Average

For each interval (bucket) in the trace, Average detection displays the average of all samples within the interval using one of the following averaging methods:

- log (also known as video)
- power (also known as RMS)
- voltage envelope

To explicitly set the averaging method, use the **BW/Avg, Avg/VBW Type** key. The combination of the average detector and the power method is equivalent to what is sometimes referred to as “RMS detection.” When the method (**Avg/VBW Type**) is set to **Pwr Avg**, and **Detector** is set to **Average**, the RMS method is selected.

When **Average** is selected, Avg appears on the left side of the display.

Key Path: **Det/Demod**

Dependencies/

Couplings: Use of Average affects the VBW setting. See **BW/Avg, VBW**.
When in Average detection, video trigger is not available.

Remote Command:

See “[Detector](#)” on page 85.

Example: DET AVER

2.4.1.4 Peak

For each interval (bucket) in the trace, Peak detection displays the highest amplitude within the interval. Peak detection is used for CW measurements and some pulsed-RF measurements. For swept analysis, peak detection basically obtains the maximum video signal between the end of the previous bucket and the end of the current one. Gain is increased to compensate for the effects of faster sweep rates, to keep the displayed value accurate. For FFT analysis, the highest spectral amplitude is displayed, even if that peak amplitude falls between samples of the spectrum computed in the FFT process.

When **Peak** is selected, Peak appears on the left side of the display.

Key Path: **Det/Demod**

Remote Command:

See “[Detector](#)” on page 85.

Example: DET POS

2.4.1.5 Sample

The sample detector displays the instantaneous level of the signal at the center of the interval (bucket) represented by each trace point.

Sample detection is primarily used to display noise or noise-like signals.

Sample detection is not best for amplitude measurements of CW-like signals for two reasons. First, the peak response to a signal can occur between samples, so unless the Span to RBW ratio is lower than usual, the highest sample can be well below the peak signal amplitude. Second, for the high sweep rates normally used, the peak response of the RBW filters is up to -0.5 dB. This sweeping error is compensated when using the peak and normal detectors by changing the overall gain. But the gain is not changed when in the sample detector, because to do so would cause errors in the response to noise.

When **Sample** is selected, Samp appears on the left side of the display.

Key Path: **Det/Demod**

Remote Command:

See “[Detector](#)” on page 85.

Example: DET SAMP

2.4.1.6 Negative Peak

For each interval (bucket) in the trace, **Negative Peak** detection displays the lowest sample within the interval.

When **Negative Peak** is selected, NPk appears on the left side of the display.

Key Path: **Det/Demod**

Remote Command:

See “[Detector](#)” on page 85.

Example: DET NEG

2.4.1.7 Quasi Peak

Selects quasi peak detection. This is a fast-rise, slow-fall detector used in making CISPR compliant EMI measurements. Quasi peak detection displays a weighted amplitude using specific charge, discharge, and meter-movement time constants as described in CISPR Publication 16.

Key Path: **Det/Demod**

Dependencies/

Couplings: Whenever the quasi peak detector is selected, the resolution bandwidths available will be the CISPR set described in the tables below. If the FFT and Sweep setting is Manual:FFT **Quasi Peak** is grayed out.

Table 2-2 CISPR Bandwidths with RBW Set to Auto

Band	Start Frequency	Stop Frequency	Bandwidth
A	10 kHz	150 kHz	200 Hz
B	150 kHz	30 MHz	9 kHz
C & D	30 MHz	1 GHz	120 kHz

Table 2-3 CISPR Bandwidths with RBW Set to Manual

RBW, Hz	Type	Equivalent -3 dB BW Filter
10	-6 dB	6.8 Hz
30	-6 dB	20 Hz
100	-6 dB	68 Hz
200	CISPR	150 Hz
300	-6 dB	200Hz
1 k	-6 dB	680 Hz

Table 2-3 CISPR Bandwidths with RBW Set to Manual

RBW, Hz	Type	Equivalent -3 dB BW Filter
3 k	-6 dB	20 kHz
9 k	CISPR	6.2 kHz
30 k	-6 dB	20 kHz
120 k	CISPR	75 kHz
300 k	-6 dB	200 kHz
1 M	CISPR	680 kHz
3 M	-6 dB	2 MHz
10 M	-6 dB	8 MHz

History: A.6.00

Remote Command:

See [:SENSE]:DETECTOR[:FUNCTION] QPEAK in “Detector” on page 85.

Example: DET QPE

2.4.1.8 EMI Average

Selects EMI averaging detection. EMI Average detection displays the average value of amplitude envelope. It is defined for EMI measurements by the CISPR standard and uses the VBW filter as a low pass filter, the output of which is sampled during the bucket interval. This functionality is quite different from the Average detector.

Key Path: **Det/Demod**

Dependencies/

Couplings: Whenever the EMI Average detector is selected, the resolution bandwidths available will be the CISPR set listed in [Table 2-2, “CISPR Bandwidths with RBW Set to Auto,”](#) and [Table 2-3, “CISPR Bandwidths with RBW Set to Manual,”](#) on page 91.

The Video BW is restricted to 1 Hz while VBW is is set to Auto.

History: Firmware revisions A.06.00

Remote Command:

See “Detector” on page 85.

Example: DET EAV

2.4.1.9 EMI Peak

Selects peak detection. This is the same detection as the regular Peak detector. The difference is the Auto resolution bandwidths that are available as described in [Table 2-2, “CISPR Bandwidths with RBW Set to Auto,”](#) and [Table 2-3, “CISPR Bandwidths with RBW Set to Manual,”](#) on page 91.

Key Path: **Det/Demod**

Dependencies/

Couplings: Whenever the EMI Average detector is selected, the resolution bandwidths available will be the CISPR set listed in [Table 2-2, “CISPR Bandwidths with RBW Set to Auto,”](#) and [Table 2-3, “CISPR Bandwidths with RBW Set to Manual,”](#) and [Table 2-4, “MIL Specifications for Bandwidth vs. Frequency with RBW Set to Auto,”](#) on page 94. **EMI Peak** is grayed out if the analyzer is in **Manual:FFT** mode.

History: Added with firmware revision A.6.0

Remote Command:

See [“Detector” on page 85.](#)

Example: DET EPOS

2.4.1.10 MIL Peak

Selects peak detection. This is the same detection as the regular Peak detector. The difference is the resolution bandwidths that are available, as shown in [Table 2-4, “MIL Specifications for Bandwidth vs. Frequency with RBW Set to Auto,”](#) and [Table 2-5, “MIL Bandwidths with RBW Set to Manual,”](#).

Table 2-4 MIL Specifications for Bandwidth vs. Frequency with RBW Set to Auto

Start Frequency	Stop Frequency	Bandwidth
30 Hz	1 kHz	10 Hz
1 kHz	10 kHz	100 Hz
10 kHz	150 kHz	1 kHz
150 kHz	30 MHz	10 kHz
30 MHz	1 GHz	100 kHz
1 GHz	Unlimited	1 MHz

Table 2-5 MIL Bandwidths with RBW Set to Manual

RBW, Hz	Type	Equivalent -3 dB BW Filter
10	MIL	6.8 Hz
30	-6 dB	20 Hz
100	MIL	68 Hz
300	-6 dB	200 Hz
1 k	MIL	680 Hz
3 k	-6 dB	2 kHz
10 k	MIL	6.8 kHz
30 k	-6 dB	20 kHz
100 k	MIL	68 kHz
300 k	-6 dB	200 kHz
1 M	MIL	680 kHz
3 M	-6 dB	2 MHz
10 M	-6 dB	8 MHz

Key Path: **Det/Demod**

History: Added with firmware revision A.6.0

Remote Command:

See “[Detector](#)” on page 85.

Example: DET MPOS

2.4.1.11 RMS (Remote Command Only)

Selects the Average Detector. If **BW/Avg, Avg/VBW Type** is set to **Auto** (or **Pwr Avg**) this will yield the RMS voltage (average power) for each trace point. (See 3.4.1.3, Average)

Key Path: There is no key selection for this setting, but you can access it by using **Average Detector** (see “[Average](#)” on page 89).

Remote Command:

See “[Detector](#)” on page 85.

Example: DET RMS

2.5 Display

Displays menu keys that enable you to control certain items on the display of the analyzer.

NOTE CCDF and SEM measurements have measurement specific **Display** menus. For the Display description for a CCDF or SEM measurement, see the One-Button Measurements User's and Programmer's guide.

Key Path: Front-panel key

2.5.1 Full Screen

When **Full Screen** is pressed the measurement window expands horizontally over the entire instrument display. It turns on/off the display of the softkey labels. Pressing any other key that results in a new menu will cancel the full screen function.

Key Path: **Display**

State Saved: Not saved in state.

Factory Preset: Off

Factory
Default: Off

History: Added with firmware revision A.02.00

Remote Command:

```
:DISPlay:FSCreen[:STATe] OFF|ON|0|1
```

```
:DISPlay:FSCreen[:STATe]?
```

Example: DISP:FSCR ON

2.5.2 Display Line

Activates an adjustable horizontal line that is used as a visual reference line. The line has an amplitude value that corresponds to its vertical position relative to the reference level. The value of the display line appears on the left side of the display below the label **D1**. The display line can be adjusted using the step keys, knob, or numeric keypad. The units of Display Line are determined by the **Y-Axis Units** setting under **Amplitude**.

Key Path: **Display**

State Saved: Saved in instrument state.

Factory Preset: -25 dBm, Off

Factory

Default: -25 dBm, Off

Terminators: dBm, mV, uV

Range: -370 dBm to 30 dBm

Remote Command:

```
:DISPlay:WINDow:TRACe:Y:DLINe <ampl>
```

```
:DISPlay:WINDow:TRACe:Y:DLINe?
```

```
:DISPlay:WINDow:TRACe:Y:DLINe:STATe OFF|ON|0|1
```

```
:DISPlay:WINDow:TRACe:Y:DLINe:STATe?
```

Example: :DISP:WIND:TRAC:Y:DLIN -32 dBm

:DISP:WIND:TRAC:Y:DLIN:STAT OFF

2.5.3 Active Fctn Position

Selects the screen position for the Active Function Display. Depending on the type of trace data being viewed, you can move the Active Function Display position for less visual interference with your screen data.

Key Path: **Display**

Readback: The selection of the position to display the active function (Top, Center, Bottom) reads back to line 3 of this key.

State Saved: Not saved in instrument state, survives power cycle and preset.

Factory Preset: No effect, persistent variable, survives power cycle and preset.

Factory Default: Center. Pressing **System, Restore Sys Defaults** will reset to factory defaults.

History: Added with firmware revision A.04.00

Remote Command:

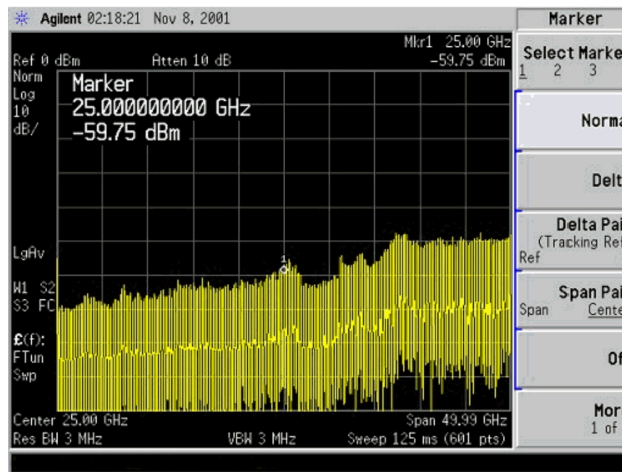
:DISPlay:AFUNction:POSition BOTTom|CENTer|TOP

:DISPlay:AFUNction:POSition?

Example: :DISP:AFUN:POS BOT

2.5.3.1 Top

Displays the active function in the top-left corner of the display.



Key Path: **Display, Active Fctn Position**

Readback: Top reads back to line 3 of this key.

State Saved: Not saved in instrument state, survives power cycle and preset.

Factory Preset: No effect, persistent variable, survives power cycle and preset.

Factory

Default: Center

History: Added with firmware revision A.04.00

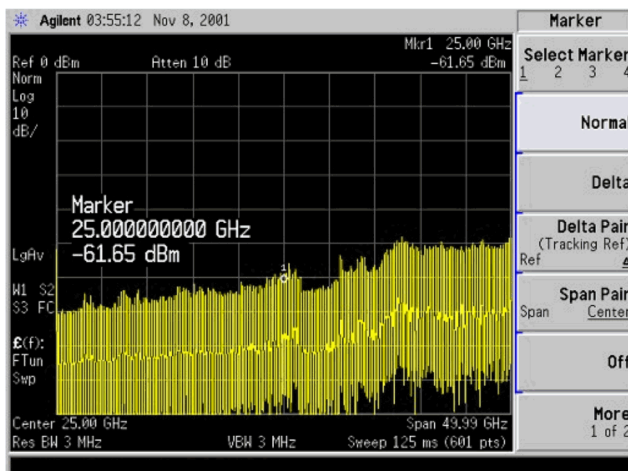
Remote Command:

:DISPlay:AFUNction:POSition TOP

Example: :DISP:AFUN:POS TOP

2.5.3.2 Center

Displays the active function in the center-left side of the display.



Key Path: **Display, Active Fctn Position**

Readback: Center reads back to line 3 of this key.

State Saved: Not saved in instrument state, survives power cycle and preset.

Factory Preset: No effect, persistent variable, survives power cycle and preset.

Factory

Default: Center

History: Added with firmware revision A.04.00

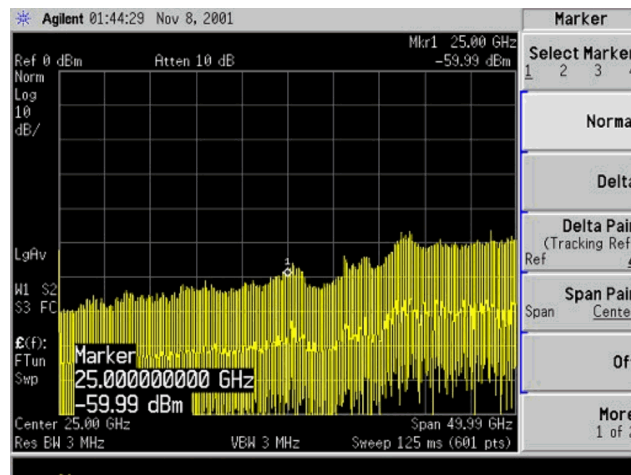
Remote Command:

:DISPlay:AFUNction:POSITION CENTER

Example: :DISP:AFUN:POS CENT

2.5.3.3 Bottom

Displays the active function in the bottom-left corner of the display.



Key Path: **Display, Active Fctn Position**

Readback: Bottom reads back to line 3 of this key.

State Saved: Not saved in instrument state, survives power cycle and preset.

Factory Preset: No effect, persistent variable, survives power cycle and preset.

Factory

Default: Center

History: Added with firmware revision A.04.00

Remote Command:

:DISPlay:AFUNction:POSition BOTtom

Example: :DISP:AFUN:POS BOT

2.5.4 Limits

Limit lines can be defined to compare the data to your defined limits and indicate a pass or fail condition. **Limits** accesses menus that allow you to create, modify, and change the properties of limit lines. There are two limit lines in the instrument.

Key Path: **Display**

State Saved: Not saved in instrument state.

SCPI Status Bits/

OPC Dependencies: No OPC dependencies.

Factory

Default: Unaffected by system defaults.

History: Added with firmware revision A.03.00

Remote Command:

```
:CALCulate:LLINE[1]|2:DATA  
<x-axis>, <ampl>, <connected>{,<x-axis>,<ampl>,<connected>}  
:CALCulate:LLINE[1]|2:DATA?
```

Defines the limit line values, and destroys all existing data. Up to 200 points may be defined for each limit using the following parameters.

- <x-axis> can be frequency or time values as specified by the following command:
:Calculate:LLINE:CONTROL:DOMain.
Frequencies are always in Hz. Time is always in seconds. No unit is allowed in this parameter.
Range: -30 Gs to +30 Gs for time limits, -3 kHz to +350 GHz for frequency limits.
- <ampl> amplitude values are always in units of dBm. Up to two amplitude values can be provided for each x-axis value, by repeating <x-axis> in the data list. No unit is allowed in this parameter.
Range: -140 dBm to +100 dBm
- <connected> connected values are either "0" or "1." A "1" means this point should be connected to the previously defined point to define the limit line. A "0" means that it is a point of discontinuity and is not connected to the preceding point. The *connected* value is ignored for the first point.

```
:CALCulate:LLINe [1] | 2:DATA:MERGe
<x-axis>, <ampl>, <connected>{, <x-axis>, <ampl>, <connected>}
```

Adds the points with the specified values to the current limit line, allowing you to merge limit line data. Up to two amplitude values are allowed for each x value. If more than 200 points are entered to be merged, the first 200 points are merged into the existing limit, then an error 'too many DATA entries' is reported.

Remote Command Notes: Up to 200 points total may be defined for each limit.

Example: CALC:LLIN1:DATA 1000000000, -20, 0, 2000000000, -30, 1

2.5.4.1 Limit 1 or Limit 2

Selects Limit 1 or Limit 2 for modification.

Key Path: **Display, Limits**

State Saved: Not saved in instrument state.

History: Added with firmware revision A.03.00

2.5.4.1.1 Type (Upper Lower)

Allows you to define the limit you are editing as either an upper or lower limit. An **Upper** limit fails if the trace exceeds the limit. A **Lower** limit fails if the trace falls below the limit.

Key Path: **Display, Limits, Limit 1**

Display, Limits, Limit 2

Dependencies/

Couplings: If a margin has already been set for this limit line, and this key is used to change the limit type, then the margin value is reset to 0 dB.

State Saved: Not saved in instrument state. Survives power cycle and preset. The limit-line data is saved in files.

Factory Preset
and *RST: Not affected by preset.

Factory
Default: Limits are off by default. Upper for **Limit 1**, then a limit line is created.
 Lower for **Limit 2**, then a limit line is created.

History: Added with firmware revision A.03.00

Remote Command:

:CALCulate:LLINe[1] | 2:TYPE UPPER|LOWer

:CALCulate:LLINe[1] | 2:TYPE?

Example: :CALC:LLIN2:TYPE LOW sets limit line 2 as a lower limit.
 :CALC:LLIN1:TYPE? responds with the limit line 1 limit type.

2.5.4.1.2 Limit Display

Turns limit-line display **On** or **Off**. Either **Limit** or **Margin**, as well as **Test**, must be turned on to turn on a limit test.

Key Path: **Display, Limits, Limit 1**
 Display, Limits, Limit 2

State Saved: Not saved in instrument state.

SCPI Status Bits/

OPC Dependencies: No OPC dependencies.

Factory Preset
and *RST: Off

Factory
Default: Off (when a limit line is created)

History: Added with firmware revision A.03.00

Remote Command:

:CALCulate:LLINe[1] | 2:DISPlay OFF|ON|0|1

:CALCulate:LLINe[1] | 2:DISPlay? queries the current limit line.

Example: :CALC:LLIN2:DISP OFF turns off the display of the limit lines.
 :CALC:LLIN1:DISP? tells you whether the limit lines are being displayed.

2.5.4.1.3 Limit Test

Turns the testing of the limit line **On** or **Off**. If the trace is at or within the bounds of the set limit or margin, `PASS LIMIT#` or `PASS MARGIN#` is displayed in green in the upper-left corner of the measurement area where # is the number of the selected limit line.

Only positive margins are allowed for lower limits and only negative margins are allowed for upper limits. If the trace is out of the limit or margin boundaries, `FAIL LIMIT#` or `FAIL MARGIN#` is displayed in red. The results for Limit 2 are displayed below those for Limit 1. Either **Limit** or **Margin** must be turned on for **Test** to be turned on.

NOTE The color of your screen annotation is dependent on your analyzer settings and may not correspond to the colors described above.

Key Path: **Display, Limits, Limit 1**

Display, Limits, Limit 2

Dependencies/

Couplings: If either of the limits or margins are turned off, the test cannot be turned on. That is, if both **Limit** and **Margin** are set to **Off**, then the test is turned off automatically.

State Saved: Not saved in instrument state.

Factory Preset
and *RST: Off

Factory
Default: Off (when a limit line is created)

History: Added with firmware revision A.03.00

Remote Command:

`:CALCulate:LLINe [1] | 2:STATE OFF|ON|0|1` to turn limit lines on or off.

`:CALCulate:LLINe [1] | 2:STATE?`

`:CALCulate:LLINe [1] | 2:FAIL?`

Example: `:CALC:LLIN:STATE 1` sets limit line 1 test on.

`:CALC:LLIN:STATE?` responds with the limit line test status.

`:CALC:LLIN:FAIL?` Queries the status of the limit-line testing. Returns a "0" if the data passes, and returns a "1" if there is a failure. This query value is valid only if **Margin** or **Test** is **On**.

2.5.4.1.4 Margin (On Off)

Turns margin **On** or **Off**. Selecting **On** allows you to set a limit-line offset for the selected limit line. Only positive margins are allowed for lower limits and only negative margins are allowed for upper limits. The margin lines are displayed in a light gray color. If the limit lines are off and margin is on, the trace is checked against the margin, then a pass or fail margin is displayed. Either **Limit** or **Margin**, as well as **Test**, must be turned on to turn on a limit test.

Key Path: **Display, Limits, Limit 1**

Display, Limits, Limit 2

Dependencies/

Couplings: If neither of the limits or margins are turned on, the test cannot be turned on. That is, if both **Limit** and **Margin** are set to **Off**, then the test is turned off automatically. If a margin has been set for this limit line, and this key is used to change the limit type, then the margin values is reset to 0 dB.

State Saved: Not saved in instrument state. Survives preset and power cycle.

Factory Preset
and *RST: Off

Factory
Default: Off (when a limit line is created). Default value is not affected by a preset.

Fundamental
Units: dB

Terminators: dB, -dB

Default Terminator: dB

Resolution: 0.1 dB

Knob Increment: -0.1 dB (Upper); 0.1 dB (Lower)

Step Key
Increment: -1 dB (Upper); 1 dB (Lower)

Range: 0 to -40 dB (Upper); 0 to 40 dB (Lower)

History: Added with firmware revision A.03.00

Remote Command:

`:CALCulate:LLINE [1] | 2:MARGIN:STATE OFF|ON|0|1` turns on margins on or off. If the margin and limit display are both turned off, limit test is automatically turned off.

`:CALCulate:LLINE [1] | 2:MARGIN:STATE?`

Responds with the margin state; 0 = off 1 = on.

`:CALCulate:LLINE [1] | 2:MARGIN <ampl_rel>`

Defines the amount of measurement margin that is added to the designated limit line.

`:CALCulate:LLINE [1] | 2:MARGIN?`

Responds with the margin offset value.

2.5.4.1.5 Edit

Pressing **Edit** accesses menus for editing limit lines and for accessing the limit-line table editor. Navigation through the limit-line table is achieved by using the front-panel arrow and tab keys. Entering data in each field navigates to the next field. New limit segments will only be applied after the editor is closed.

Pressing **Return**, or any key that is not associated with the editor, will close the limit-line table editor.

NOTE Refer to your Getting Started guide for more information about navigation within tables using your front-panel arrow and tab keys.

Key Path: **Display, Limits, Limit 1**

Display, Limits, Limit 2

Factory Preset
and *RST: Exits the edit mode.

History: Added with firmware revision A.03.00

2.5.4.1.5.1 Point

Up to 200 points may be defined for each limit line using **Point**. A maximum of two different points may be entered that have the same frequency. Enter the point number to be created or edited using the numeric keypad, then press **Enter**, or use the front-panel knob, or step keys to move to an existing point. The step-up key takes you to the next point, while the step-down key takes you to the previous point. After selecting a point, **Frequency** (or **Time**, depending on x-axis selection) becomes active.

Key Path: **Display, Limits, Limit 1, Edit**
 Display, Limits, Limit 2, Edit

State Saved: Not affected by state.

Factory Preset
 and *RST: 1

Factory
 Default: 1

Terminators: Enter

Default Terminator: Enter

Resolution: 1

Knob Increment: 1

Step Key
 Increment: 1

History: Added with firmware revision A.03.00

Range: 1 to 200

2.5.4.1.5.2 Frequency (or Time)

Pressing this key allows you to enter a value for a limit point in frequency (or time). Note that this key label changes to **Time** if **X Axis Units** has been selected. After entering a value, the limit table is sorted to place the value in the correct order. A maximum of two different points may be entered that have the same frequency. For a new point, **Amplitude** defaults to 0 dBm and **Connected** defaults to **Yes**. **Amplitude** then becomes active.

Key Path: **Display, Limits, Limit 1, Edit**
 Display, Limits, Limit 2, Edit

Dependencies/
 Couplings: Limit-line points are selected according to the X-axis units selected, for example if frequency is selected as your X-axis units, then the limit points are frequency values. Also, if both upper and lower limit lines are selected for the trace then both need to be defined using the same X-axis units.

Fundamental
 Units: Hz, s

Factory Preset
 and *RST: 300 MHz; 120 Ms

Terminators: Hz, s

Default Terminator: Hz (frequency), s (time)

Knob Increment: 0.2 MHz, 30 Ms

Step Key

Increment: 20 MHz, 12 Ms

Range: -3 kHz to 350 GHz; -30 Gsec to 30 Gsec

History: Added with firmware revision A.03.00

2.5.4.1.5.3 Amplitude

Pressing **Amplitude** allows you to enter the amplitude value for the current limit point. After entering a value, **Connected** becomes active. If a front-panel arrow key is pressed without entering a value, the current **Amplitude** and **Connected** values of the point are selected. If the up arrow is pressed, the point number automatically increments to allow entry of the amplitude of the next point. If it is a new point, the **Frequency** may also be entered for the new point.

Key Path: **Display, Limits, Limit 1, Edit**

Display, Limits, Limit 2, Edit

Factory Preset
and *RST: 0 dBm

Fundamental
Units: dBm

Terminators: dBm

Default Terminator: dBm

Resolution: 0.1 dBm

Knob Increment: 0.1 dBm

Step Key

Increment: 10 dBm

Range: -140 dBm to 100 dBm

History: Added with firmware revision A.03.00

2.5.4.1.5.4 Connected To Previous Pt

A current point may be connectd to the previous point by pressing **Yes**. No limit testing is performed between disconnected points. Pressing this key when the Connected field is selected toggles the connected value of the current point and increments the Point number to allow entry or editing of the Frequency of the next point. If an arrow key is pressed without entering a value, the current Connected value of the point is selected. If an arrow key is pressed, the Point number automatically increments to allow entry of the Connected value of the next point. If it is a new point, the **Frequency** may be entered for the new point

Key Path: **Display, Limits, Limit 1, Edit**

Display, Limits, Limit 2, Edit

Factory Preset
and *RST: Yes

Instrument Functions: A - L
Display

Knob Increment: Toggles to other selection.

Step Key

Increment: Toggles to other selection

History: Added with firmware revision A.03.00

2.5.4.1.5.5 Delete Point

Deleting the current limit point can be achieved by pressing **Delete Point**. You will be prompted with the message *If you are sure, press key again to delete*. Pressing **Delete Point** again will delete the limit point.

Key Path: **Display, Limits, Limit 1, Edit**
 Display, Limits, Limit 2, Edit

History: Added with firmware revision A.03.00

2.5.4.1.6 Delete Limit

Deleting the current limit set can be achieved by pressing **Delete**. You will be prompted with the message *If you are sure, press key again to delete*. Pressing **Delete** again will delete the limit set.

Key Path: **Display, Limits, Limit 1**
 Display, Limits, Limit 2

Factory Preset
and *RST: Off

History: Added with firmware revision A.03.00

Remote Command:

:CALCulate:LLINe [1] | 2:DELeTe

Example: :CALC:LLIN:DEL deletes limit line/margin 1 (LLIN defaults to Limit Line 1)

2.5.4.1.7 Freq Interp

This key is grayed out if **Time** is the selected **X Axis Units**. Sets the interpolation to linear or logarithmic for the specified limiting points set, allowing you to determine how limit trace values are computed between points in a limit table. The available interpolation modes are linear and logarithmic. If the linear (**Lin**) mode is used for both frequency and amplitude, a straight line is used when interpolating between points in a limit table. If frequency interpolation is logarithmic (**Log**), frequency values between limit points are computed by first taking the logarithm of both the table values and the intermediate value. A linear interpolation is then performed in this logarithmic frequency space. An exactly analogous manipulation is done for logarithmic amplitude interpolation.

NOTE If two amplitude values are entered for the same frequency, a single vertical line is the result. In this case, if an upper line is chosen, the amplitude of lesser frequency (amplitude 1) is tested. If a lower line is chosen, the amplitude of greater frequency (amplitude 2) is tested.

For linear amplitude interpolation and linear frequency interpolation, the interpolation is computed as:

$$y = \frac{y_{i+1} - y_i}{f_{i+1} - f_i}(f - f_i) + y_i$$

For linear amplitude interpolation and log frequency interpolation, the interpolation is computed as:

$$y = \frac{y_{i+1} - y_i}{\log f_{i+1} - \log f_i}(\log f - \log f_i) + y_i$$

For log amplitude interpolation and linear frequency interpolation, the interpolation is computed as:

$$\log y = \frac{\log y_{i+1} - \log y_i}{f_{i+1} - f_i}(f - f_i) + \log y_i$$

For log amplitude interpolation and log frequency interpolation, the interpolation is computed as:

$$\log y = \frac{\log y_{i+1} - \log y_i}{\log f_{i+1} - \log f_i}(\log f - \log f_i) + \log y_i$$

Key Path: **Display, Limits, Limit 1**

Display, Limits, Limit 2

State Saved: Persistent; retains settings, even through a power cycle.

Factory Preset
 and *RST: Log

History: Added with firmware revision A.03.00

Remote Command:

:CALCulate:LLINE [1] | 2:CONTrol:INTerpolate:TYPE LOGarithmic | LINear

:CALCulate:LLINE [1] | 2:CONTrol:INTerpolate:TYPE?

Example: :CALC:LLIN2:CONT:INT:TYPE LIN sets limit line 2 frequency interpolation to linear.

2.5.4.1.8 Amptd Interp

Allows you to determine how limit trace values are computed between points in a limit table. The available interpolation modes are linear (**Lin**) and logarithmic (**Log**). If the linear mode is used for both frequency and amplitude, a straight line is used when interpolating between points in a limit table. This function does not work in zero span (when the analyzer is in time domain). Refer to the "Note" in "[Freq Interp](#)" on page 111 for more information.

NOTE Interpolation modes determine how limit values are computed between points in the limit table. The appearance of a limit trace is also affected by the amplitude scale, which may be linear or logarithmic.

Key Path: **Display, Limits, Limit 1**

Display, Limits, Limit 2

State Saved: Persistent; retains settings, even through a power cycle.

Factory Preset
and *RST: Not affected by preset

Factory
Default: Log for a new limit.

History: Added with firmware revision A.03.00

Remote Command:

```
:CALCulate:LLINe [1] | 2:AMPLitude:INTerpolate:TYPE LOGarithmic|LINear
```

```
:CALCulate:LLINe [1] | 2:AMPLitude:INTerpolate:TYPE?
```

Example: :CALC:LLIN:AMPLLINT:TYPE LOG sets limit lines 1 amplitude interpolation to LOG.

:CALC:LLIN:AMPLLINT:TYPE? responds with the limit line interpolation type.

2.5.4.2 X Axis Units

Selects how the limit-line segments are defined. Pressing **X Axis Units** selects whether the limit lines will be entered using frequency (**Freq**) or sweep time (**Time**) to define the segments. They can be specified as a table of limit-line segments of amplitude versus frequency, or of amplitude versus time. A time value of zero corresponds to the start of the sweep, which is at the left edge of the graticule. Switching the limit-line definition between **Freq** and **Time** will erase both of the current limit lines. The following message will appear on screen.

Changing X axis units will delete all limits. If you are sure, press key again to change units.

CAUTION Changing this setting deletes all existing limit data from the analyzer. In other words, if a limit line has already been defined, changing the units clears the existing limit line.

Press **X Axis Units** again to purge both limit lines and to switch between frequency and time.

Key Path: **Display, Limits**

Factory

Default: Frequency for a new limit.

History: Added with firmware revision A.03.00

Remote Command:

```
:CALCulate:LLIN:CONTrol:DOMain FREQ|TIME
```

```
:CALCulate:LLIN:CONTrol:DOMain?
```

Remote Command Notes: For **TIME**, the limit line segments are placed on the spectrum analyze display with respect to the sweep time setting of the analyzer, with 0 at the left edge of the display.

For **FREQ**, segments are placed according to the frequency that is specified for each segment.

Example: `:CALC:LLIN:CONT:DOM FREQ` sets limit lines 1 and 2 x-axis units to frequency.

```
:CALC:LLIN:CONT:DOM TIME sets limit lines 1 and 2 x-axis units to time.
```

```
:CALC:LLIN:CONT:DOM? responds with limit lines 1 and 2 x-axis unit type.
```

2.5.4.3 Limits (Fixed Rel)

Specifies whether the current limit lines are fixed or relative.

Pressing **Limits** to choose fixed (**Fixed**) or relative (**Rel**) limit lines. The fixed (**Fixed**) type uses the current limit lines as a reference with fixed frequency and amplitude values. The relative (**Rel**) setting results in the current limit-line value to be relative to the displayed center frequency and reference level amplitude values. When limit lines are specified with time, rather than frequency, the **Rel** setting only affects the amplitude values. The current amplitude values will be relative to the displayed reference level amplitude, but the time values will always start at the left edge of the graticule.

For example, assume you have a frequency limit line. If the limit line is specified as fixed (**Fixed**) entering a limit line segment with a frequency coordinate of 300 MHz displays the limit line segment at 300 MHz. If the same limit line table is specified as relative (**Rel**), it is displayed relative to the analyzer center frequency and reference level. If the center frequency is at 1.0 GHz, a relative limit line segment with a frequency coordinate of 300 MHz will display the limit line segment at 1.3 GHz. If the amplitude component of the relative limit line segment is -10 dB, the - 10 dB is added to the reference level value to obtain the amplitude of the given segment (reference level offset included).

A limit line entered as **Fixed** may be changed to **Rel**, and one entered as **Rel** may be changed to **Fixed**. When changing between fixed and relative limit lines, the frequency and amplitude values in the limit line table change so that the limit line remains in the same position for the current frequency and amplitude settings of the analyzer. If a time and amplitude limit line is used, the amplitude values change but the time values remain the same.

Key Path: **Display, Limits**

Factory

Default: Fixed for a new limit.

History: Added with firmware revision A.03.00

Remote Command:

NOTE If you need to change the domain with :CALCulate:LLINe:CONTRol:DOMain, do it before this command. Changing the domain deletes all the existing limit line values.

```
:CALCulate:LLINe:CMODE FIXed|RELative
```

```
:CALCulate:LLINe:CMODE?
```

Example: :CALC:LLIN:CMOD FIX sets limit lines 1 and 2 limits to fixed.

2.5.4.4 Delete All Limits

Deletes the selected limit line. Pressing **Delete Limits** purges the data from the limit-line tables. Pressing **Delete Limits** after the prompt, If you are sure, press key again to delete, will delete the limits.

Key Path: **Display, Limits**

Factory Preset
and *RST: Not affected by preset.

History: Added with firmware revision A.03.00

Remote Command:

:CALCulate:LLINe:ALL:DELeTe

Example: :CALC:LLIN:ALL:DEL deletes all of the data points for limits lines 1 and 2.

2.5.5 Title

Displays menu keys that enable you to change or clear a title on your display.

Key Path: **Display**

2.5.5.1 Change Title

Allows you to write a title across the top of the display. Press **Change Title** to access the Alpha Editor Menus that contain available characters and symbols. You may also use the numeric keypad to enter numbers. Press **Enter** or **Return** to complete the entry. Press **ESC** to cancel the entry and preserve your existing title.

The display title will remain until you press **Change Title** again, or you recall a trace or state, or a

Factory Preset is performed. A title can also be cleared by pressing **Title, Clear Title**.

Pressing this key cancels any active function.

Key Path: **Display, Title**

State Saved: Saved in instrument state.

Remote Command:

:DISPlay:ANNotation:TITLe:DATA <string>

:DISPlay:ANNotation:TITLe:DATA?

Example: DISP:ANN:TITL:DATA "This Is My Title"

2.5.5.2 Clear Title

Allows you to clear a title from the front-panel display. Once cleared, the title cannot be retrieved.

Key Path: **Display, Title**

Factory Preset: No title

Remote Command:

There is no equivalent command, but the example below shows how to enter an empty title.

Example: `DISP:ANN:TITL:DATA "TEST 3"`

2.5.6 Preferences

Accesses menu keys which allow you to turn the graticule and annotation on or off.

Key Path: **Display**

State Saved: Saved in instrument state.

Factory Preset
and *RST: No title

Factory
Default: n/a

History: Added with firmware revision A.03.00

2.5.6.1 Graticule (On Off)

Pressing Graticule turns the display graticules **On** or **Off**.

Key Path: **Display**

Factory Preset
and *RST: On

Factory
Default: On

Terminators: Enter

History: Added with firmware revision A.03.00

Remote Command:

:DISPlay:WINDow:TRACe:GRATicule:GRID[:STATe] OFF|ON|0|1

:DISPlay:WINDow:TRACe:GRATicule:GRID[:STATe]?

Example: DISP:WIND:TRAC:GRAT:GRID OFF

2.5.6.2 Annotation

Turns the screen annotation on or off for all windows, however, menu key annotation will remain on the display. The screen annotation may not be required for prints or during remote operation.

Key Path: **Display**

Factory Preset
and *RST: On

Remote Command:

:DISPlay:WINDow:ANNotation[:ALL] OFF|ON|0|1

:DISPlay:WINDow:ANNotation[:ALL]?

Example: DISP:WIND:ANN OFF

2.5.7 Display Enable (Remote Command Only)

Turns the display on/off. If enable is set to off, the display will appear to blank. This can make the measurement run faster since the instrument does not have to update the display after every data acquisition. There is often no need to update the display information when using remote operation.

- Sending SYSTem:PRESet or *TST commands will turn it on. *RST will not.

Key Path: None, no front-panel control.

State Saved: Not saved in instrument state.

Factory Preset: On

Factory
Default: On

Remote Command:

:DISPlay:ENABle OFF|ON|0|1

:DISPlay:ENABle?

Example: DISP:ENAB OFF

2.6 File

Displays a menu of functions that enable you to load, save, and manage data on either a floppy disk (A:) or the analyzer's internal drive (C:); you can recall, save, copy, delete, or rename files of instrument states, trace data, and screen captures. The menu keys display dialog boxes appropriate for the selected function.

Agilent analyzers use different types of mass storage devices:

- 3.5 inch disk drive (high density, 1.44 MBytes formatted) designated "A:" (Saving directly to drive A:\ can be slow. Try saving first to internal drive C:\ and then transferring the file.)
- Part of flash memory and treated as a device designated "C:"
- Part of flash memory and treated as a device for internal use only to store personality option firmware, designated "I."

The MMEMory command syntax term <'file_name'> is a specifier having the form: `\DRIVE:\DIRECTORY\NAME.EXT'`, where the following rules apply:

- "DRIVE" is "A:" or "C:"
- "\DIRECTORY\" is the path name.
- "NAME" is a DOS file name of up to eight characters, letters (A-Z, a-z) and numbers (0-9) only.
- "EXT" is an optional file extension using the same rules as "name," but consists of up to three characters total

File Types

You can save the following types of files:

- **State** - A file that contains a copy of the state of the analyzer at the time the file is saved. The settings of most analyzer functions are saved in the state files but not traces, limits, and corrections. When a **State** file is loaded into the analyzer, the analyzer is restored to the same state as when the file was saved. Some settings are not saved in the **State** files, for example the GPIB address; these settings are called “persistent.” In this manual, each function describes whether that function is saved in “Instrument State” or is persistent.
- **Trace** - A file that contains a copy of the trace data for one or more traces. There are two formats for trace files, **Trace + State** and **CSV** files.

Trace + State: A file that contains the trace data and a copy of the current analyzer state. The trace and state are stored in an internal data format (TRC), which cannot be loaded into a PC, but can be loaded back into the analyzer. Traces can be loaded individually or as a group. When a Trace + State file is loaded into the analyzer the trace data that was on the screen, when saved, is loaded into the analyzer. This enables you to view the trace as it looked when it was saved. Because the state data is also saved, the analyzer settings, including all the annotation on the screen, is restored as well. To preserve the trace data, the traces contained in the saved files are placed in View mode (see Trace/View, [page 287](#)) so that they are not immediately overwritten by new trace data. This means that you can save traces while making a measurement, and later load them back into the analyzer, where you can print them or transfer them to a computer, in CSV format, for analysis. If you wish to compare two saved traces, place traces in view mode before saving them. This prevents the trace from being rewritten based on a state change from subsequent loads.

CSV: A file that contains trace data in comma-separated values format (CSV, standard PC spreadsheet format), to be read into a spreadsheet for analysis. Most spreadsheet programs support CSV format. They cannot be loaded back into the analyzer.

- **Limits** - A file that contains a copy of the analyzer limit sets at the time the file is saved. Limits provide data sets to determine whether a trace has exceeded preset specifications. Limit sets can hold up to 200 points and can only be saved individually. Refer to the **File, Save, Source** key description, [page 131](#). When you load a **Limits** file into the analyzer, you restore all of the limit sets that were in the instrument at the time of the save.

NOTE When loading Limits files, be sure you have selected the appropriate X Axis Units: frequency or time (**Display, Limits, Properties, X Axis Units**). If you are in time X-Axis Units, and you load frequency limits, all current limit line data will be erased and the analyzer will switch to frequency units. The reverse of the this situation also holds true.

- **Screen** - A file that contains an exact representation of the analyzer display at the time it was saved. You cannot extract data from **Screen** files as you can with **Trace** files, but you can print them or include them in other documents; **Screen** files look exactly as the display looked when the file was saved. They cannot be loaded into the analyzer. There are four formats for screen files, **Bitmap** and **Reverse Bitmap**.
 - Bitmap:** A file that contains an exact bit representation of the screen. Stored in Graphics Interchange Format (GIF) format.
 - Reverse Bitmap:** Same as **Bitmap**, but the black display backgrounds are changed to white and the yellow traces are turned to green to preserve printer black ink.
- **Corrections** - A file that contains a copy of the analyzer correction tables at the time the file is saved (CBL, ANT, OTH, AMP). Corrections provide a way to adjust the trace display for preset gain factors (such as for cable loss). A correction set can hold up to 200 points. Pressing **Corrections** activates the **Source** key. Refer to the **File, Save, Source** key description, [page 131](#). When you load a **Corrections** file into the analyzer, you restore all of the corrections values that were in the instrument at the time of the save.
- **Measurement Results**- A file that contains a copy of the analyzer measurement data that was current at the time the file is saved. Measurement results files are saved in .CSV format (for importing into spreadsheets). When you load a **Measurement Results** file into the analyzer, you restore all of the measurement data that was in the instrument at the time of the save.

2.6.1 Catalog

Displays directories and files located on the selected drive, depending upon the preferences set under the **Type** (page 123) and **Sort** (page 124) keys. **Catalog** displays menus to navigate the drives and to sort and select the files you wish to view.

NOTE The internal analyzer “drive” (C:\) is not an actual disk drive, but an area of nonvolatile (flash) memory which is presented as though it were a disk drive.

The internal analyzer “drive” (I:\) is used for instrument firmware and optional measurement personalities. It is not available for data/file storage.

Key Path: File

Remote Command:

```
:MMEMory:CATalog? <dir_name>
```

Remote Command Notes: Query returns all files in the specified drive\path name.

The return data will be in the format: <mem_used>, <mem_free>
{, <file_listing>}

Each <file listing> indicates the name and size in bytes of one file in the directory list in the form: “<file_name>, <file_size>” for example, a file called “SCREN000.GIF” which is 21286 bytes in size, would list as “SCREN000.GIF, , 21286.” Directories are indicated by square brackets, for example “[MYDIR] , , .”

All files are listed, without regard to the preferences selected for the file catalog on the analyzer screen.

If you use lowercase characters, they are converted to uppercase in interpreting catalog commands.

Example: :MMEM:CAT? `C:\MYDIR\MYMEAS`

2.6.1.1 Type

Allows you to select the desired type of instrument-data files to be displayed. Common types of instrument data files include trace data, limit line data, and amplitude correction data. See “[File Types](#)” on page 120 for more information. The catalog displays all files (if **Type** is set to **All**) or files of the currently selected file type. All directories are always displayed.

Type	Format	Destination	Extension
State	State		STA
Trace	Trace + state	Trace 1, 2, 3, or all traces	TRC
	Comma separated trace values	Trace 1, 2, 3, or all traces	CSV
Limit	Internal data format		LIM
Screen	Bitmap		GIF
	Reverse bitmap		GIF
Corrections	Internal data format		ANT, CBL, OTH, and AMP
Measurement Results	Comma separated values		CSV

Key Path: **File, Catalog**

State Saved: Type is not saved in the instrument state

Factory Preset: Type survives **Factory Preset** and *RST, but is set to **State** at power on.

Remote Command:

There is no remote command for this key.

2.6.1.1.1 All

Displays all files located in the selected directory. If selected, it applies to **Catalog**, **Delete**, **Copy**, and **Rename**.

Key Path: **File, Catalog, Type**

2.6.1.1.2 State

Displays all state files (STA) in the selected directory. State files contain most instrument settings. If selected, it applies to all **File** functions.

Key Path: **File, Catalog, Type**

2.6.1.1.3 Trace

Displays all trace files (TRC and CSV) in the selected directory. If selected, it applies to all **File** functions.

Key Path: **File, Catalog, Type**

2.6.1.1.4 Limits

Displays all limits files (LIM) in the selected directory.

Key Path: **File, Catalog, Type**

2.6.1.1.5 Screen

Displays all screen files (GIF) in the selected directory.

Key Path: **File, Catalog, Type**

2.6.1.1.6 Corrections

Displays all correction files (ANT, CBL, OTH, and AMP) in the selected directory.

2.6.1.2 Sort

Displays the **Sort** menu keys that enable you to view your saved files according to a selected file attribute. The selections include, **By Date**, **By Name**, **By Extension**, **By Size**, and **Order**. **Order (Up)** sorts files in ascending order (for example, A,B,C). **Order (Down)** sorts files in descending order (for example, C,B,A).

The **Sort** setting applies to all of the **File** functions, except **Save**.

Key Path: **File, Catalog**

State Saved: The Sort order survives Preset, but is not saved in the instrument state.

Remote Command:

There is no remote command for this key.

2.6.1.2.1 By Date

Sorts and displays the current file catalog by the date of the files.

Key Path: File, Catalog, Sort

2.6.1.2.2 By Name

Sorts and displays the current file catalog in alphabetical order of the name of the files.

Key Path: File, Catalog, Sort

2.6.1.2.3 By Extension

Sorts and displays the current file catalog, in alphabetical order, by the file extension of the file names (for example: .TRC, .STA).

Key Path: File, Catalog, Sort

2.6.1.2.4 By Size

Sorts and displays the current file catalog by the size of the files.

Key Path: File, Catalog, Sort

2.6.1.2.5 Order

Changes the order of the display of the current file catalog. **Up** sorts the files in ascending order (A to Z, 1 to 9), while **Down** sorts in descending order (Z to A, 9 to 1).

Key Path: File, Catalog, Sort

2.6.1.3 Dir Up

Moves up one subdirectory level within a directory. If your position is in the top level of the drive already, it moves up to the drive level and the current drive is highlighted (A: or C:).

Key Path: **File, Catalog**

2.6.1.4 Dir Select

Selects the drive or directory that is highlighted on the display. You can use the up and down arrows to select and highlight the desired drive or directory. If the top entry in the catalog has a “.” indication, you are in a subdirectory, and this key acts the same as the **Dir Up** key. When you are at the top directory level, this key moves up to the drive level.

Key Path: **File, Catalog**

2.6.2 Save

Displays menu keys that enable you to save files to the floppy (A:) or internal (C:) drive.

The menus allow you to fill in data-entry fields for file name, type, format, source, and path (directory). Some fields may be blank depending on file type.

The catalog list box is active and can be used for selecting the directory in which to save the file. Saved files that match the current **Type** and **Format** are shown. The **Sort Order** is always **Down, By Date**.

NOTE Never remove the floppy disk during a save operation. To do so could corrupt *all* data on the floppy disk.

Saving directly to floppy drive A:\ can be slow. Try saving first to internal drive C:\ and then transfer the file to the floppydrive.

NOTE Many errors can be generated by a bad **Save** operation. For this reason, if an ‘Unable to Save file’ message is seen, you should check the error queue (**System, Show Errors**) for the source of the error.

NOTE You can press the front-panel **Save** key to immediately save a file using an automatically generated file name. The current **Save** parameters will be used, as though **Save Now** had been pressed.

NOTE If saving a **Screen**, the screen saved is the screen that was displayed before pressing **File**. For this reason, the screens seen while in the **File** menus cannot be saved.

Key Path: **File**

Factory Preset: State is the default file type at power on.

2.6.2.1 Save Now

Executes the save function. While the file is being saved the popup message “Saving file” followed by “Reading directory” is displayed. After a successful save, the text message “xxxxxx file saved” (where xxxxxx is the file name) appears in the status line. Once you have used the **File**, **Save**, **Save Now** keys to setup and save a file, the **Save** hardkey will perform an immediate **Save Now** of your file in the same format and to the same location.

The analyzer will pick a filename for you based on the table below. The ### in the auto-generated file name represents a three-digit number which the analyzer has chosen to be the lowest number in the current sequence that does not conflict with an existing file name. The number starts at 000 with a new analyzer or after the installation of new firmware and counts up with each attempted **Save**. After a **Restore Sys Defaults**, the number will start at a number that may be lower than the lowest number of the file the currently saved files. The number counts up with each attempted **Save**, but will skip the numbers already in use and not over write existing files. If you want to enter your own file name, refer to **Name** (page 132) for additional information.

Type	Auto-Generated File Name	Extension
State	STATE###	.STA
Trace	TRACE###	.TRC or .CSV
Screen	SCREN###	.GIF

NOTE Never remove the floppy disk during a save operation. To do so could corrupt *all* data on the floppy disk.

NOTE Many errors can be generated by a bad **Save** operation. For this reason, if an ‘Unable to Save file’ message is seen, you should check the error queue (**System**, **Show Errors**) for the source of the error.

NOTE You are always safe pressing **Save Now** without entering a file name, because the auto-generated file name never conflicts with an existing file.

If the Path: field above the directory box is empty when pressing **Save Now**, the status line will display the error message: Unable to save file, invalid path. In this case, please select a drive.

Key Path: File, Save

Remote Command:

```
:MMEMory:STORe:SCREen <'file_name'>
```

```
:MMEMory:STORe:STATe 1,<'file_name'>
```

The MMEM:STOR:STAT command only saves the state of the Signal Analysis mode. Use *SAV to save all mode states.

```
:MMEMory:STORe:TRACe <label>,<'file_name'>
```

This command is not available when you are outside the Spectrum Analysis mode and working in optional measurement modes.

```
:MMEMory:STORe:LIMit LLINE1|LLINE2,<'file_name'>
```

```
:MMEMory:STORe:CORREction ANTenna|CABLe|OTHer|USER,<'file_name'>
```

```
:MMEMory:STORe:RESults <'file_name'>
```

```
*SAV <register#>
```

Remote Command Notes: For the MMEM:STOR:TRAC <label>,<"file_name"> command:

Trace labels are: TRACE1 | TRACE2 | TRACE3 | ALL

The file name must have a file extension of .TRC or .CSV. The file extension determines whether a trace is stored (.CSV), or a trace with its state (.TRC), are stored.

The <'file_name'> must include the complete path, for example 'C:\MYTRACE.TRC'. Lowercase characters are interpreted as uppercase.

These commands will fail if the <'file_name'> already exists.

For the MMEM:STOR:LIM LLINE2,"C:mylimit.lim" command, there is no short form for parameters LLINE1|LLINE2.

Example: `MMEM:STOR:STAT 1,'C:\mystate.sta'` saves the current instrument state to the specified file name. The `.sta` extension is required.

*`SAV` saves the current instrument state to a file name `REGxxx`, where `xxx` = the register number. The available register numbers are 0 to 127.

`MMEM:STOR:SCR 'C:\myscreen.gif'` The file must have a `.gif` file extension. The specified file extension determines which file format the instrument will use to save the image. Only **Bitmap** is available (not **Reverse Bitmap**).

`MMEM:STOR:TRAC TRACE3,'C:\mytrace.trc'` Saves trace 3 to the trace + state file `C:\MYTRACE.TRC`

`MMEM:STOR:CORR ANT, 'A:TEST1.AMP'` saves the current antenna correction to the specified file name. The `.amp` extension is required.

`MMEM:STOR:LIM LLINE2,'C:\mylimit.lim'` saves the current limit line two data set to the specified file name. The `.lim` extension is required.

`MMEM:STOR:RES 'A:ACP.CSV'` saves the current ACP measurement results to the specified file name. The `.csv` extension is required.

2.6.2.2 Type

Allows you to select the type of data you want to save. The file types available for saving are described below. See [“File Types” on page 120](#) and [“Type” on page 123](#) for more information.

Type	Format	Source	Extension
State	State		STA
Trace	Trace + state	Trace 1, 2, 3, or all traces	TRC
	Comma separated trace values	Trace 1, 2, 3, or all traces	CSV
Limit	Internal data format		LIM
Screen	Bitmap		GIF
	Reverse bitmap		GIF
Corrections	Internal data format		ANT, CBL, OTH, and AMP
Measurement Results	Comma separated values		CSV

NOTE All is not an option in **Save**, you have to specify the desired file type.

Key Path: **File, Save**

State Saved: Type is not saved in the instrument state

Factory Preset: Type survives **Factory Preset** and *RST, but is set to **State** at power on.

2.6.2.3 Format

When **Type** is set to **Trace**, **Format** allows you to choose between **Trace + State** and **CSV** formats. For more information on file types, refer to [“File Types” on page 120](#).

When **Type** is set to **Screen**, **Format** allows you to choose between **Bitmap** and **Reverse Bitmap** formats. For more information on file types, refer to [“File Types” on page 120](#).

Key Path: **File, Save**

State Saved: **Format** is not saved in Instrument State.

Factory Preset: **Format** survives **Factory Preset** and *RST, but:

Trace file format is **Trace + State** at power on

Screen file format is **Bitmap** at power on

2.6.2.3.1 Trace + State

When the file type is **Trace**, this key selects the **Trace + State**, instrument-readable file (TRC) format for your file. For more information on file types, refer to [“File Types” on page 120](#).

Key Path: **File, Save, Format**

2.6.2.3.2 CSV

When the file type is **Trace**, this key selects the trace data as comma-separated values (CSV). The **CSV** format is readable by a spreadsheet on your computer, but the trace cannot be restored to the analyzer display. For more information on file types, refer to [“File Types” on page 120](#).

Key Path: **File, Save, Format**

2.6.2.3.3 Bitmap

When the file type is **Screen**, this key selects the bitmap Graphics Interchange Format (GIF) file format for your saved data. For more information on file types, refer to “[File Types](#)” on page 120.

Key Path: **File, Save, Format**

2.6.2.3.4 Reverse Bitmap

When the file type is **Screen**, this key selects the inverse bitmap file format (GIF) for your saved data. For more information on file types, refer to “[File Types](#)” on page 120.

Key Path: **File, Save, Format**

2.6.2.4 Source

When the file type is set to **Trace**, this key allows you to save trace **1**, **2**, **3** or **All**. Saving trace **All** saves all traces in a single .TRC file.

When the file type is set to **Corrections**, **Source** accesses the **Antenna**, **Cable**, **Other** and **User** menu keys, which allow you to select the type of correction to be saved.

When the file type is set to **Limits**, **Source** accesses the **Limit 1** and **Limit 2** menu keys. **Limit 1** and **Limit 2** provide data sets to determine whether a trace has exceeded preset specifications. Limit sets can hold up to 200 points and can only be saved individually.

For any other Save type, **Source** is disabled (grayed out).

Key Path: **File, Save**

State Saved: **Source** is not saved in Instrument State.

Factory Preset: **Source** survives **Factory Preset** and *RST, but is set to **All Traces** at power up.

2.6.2.4.1 Trace 1

Selects trace 1 to be saved.

Key Path: **File, Save, Source**

2.6.2.4.2 Trace 2

Selects trace 2 to be saved.

Key Path: **File, Save, Source**

2.6.2.4.3 Trace 3

Selects trace 3 to be saved.

Key Path: **File, Save, Source**

2.6.2.4.4 All Traces

Selects all the traces to be saved.

Key Path: **File, Save, Source**

2.6.2.5 Name

Displays the Alpha Editor and enables you to enter a filename. The numeric keypad can also be used while entering file names. Press **Enter** or **Return** to complete the name entry.

NOTE Only capital letters (A-Z) and digits (0-9) may appear in file names (8 characters, maximum). Additionally, file names include a 3 digit extension which is automatically set by the instrument depending on the file type and format.

Key Path: **File, Save**

Remote Command:

The file name is entered as part of the directory/path name that is sent with the SCPI command. See [“Save Now” on page 127](#).

2.6.2.6 Dir Up

Moves up one subdirectory level within a directory. If your position is in the top level of the drive already, it moves up to the drive level and the current drive is highlighted (A: or C:).

Key Path: File, Save

Remote Command:

The directory is entered as part of the directory/path name that is sent with the SCPI command. See [“Save Now” on page 127](#).

2.6.2.7 Dir Select

Displays the highlighted directory. See [“Dir Select” on page 126](#) for more information.

Key Path: File, Save

Remote Command:

The directory is entered as part of the directory/path name that is sent with the SCPI command. See [“Save Now” on page 127](#).

2.6.3 Load

Displays the menu key that enables you to load instrument-data files from the selected drive and directory back into the instrument. This function displays the file list box, which shows the data-entry fields for the file name, type, destination, and path.

The catalog list box is active and can be used for selecting the file information in the data-entry fields. Only loadable files that match the current type are shown. Placing the cursor on a file name causes it to be loaded into the file name field.

Key Path: File

2.6.3.1 Load Now

Loads the currently selected file. Displayed settings include name, type, destination, and path. While the file is being loaded a popup message is displayed “Loading file.” After a successful load, the text message “xxxxxxx file loaded” (where xxxxxx is the file name) appears in the status line. When traces are loaded they always load in **View** mode.

Traces save in TRC format can be loaded individually or as a group. When a trace is loaded, the state that existed when that trace was saved is loaded along with the trace. Also, the loaded trace(s) is/are placed in view mode.

NOTE To compare two saved traces from different saves, place traces in view mode before saving them. This prevents the trace from being rewritten based on a state change from subsequent loads.

Key Path: File, Load

Remote Command:

`:MMEMory:LOAD:STATe 1,<'file_name'>` loads the specified state file into the current active state of the instrument.

The `MMEM:LOAD:STAT` command only saves the state of the Signal Analysis mode. Use `*RCL` to load all mode states. `*RCL <register#>` loads the state from the specified internal register into the current active state of the instrument. The available register numbers are 0 to 127.

`:MMEMory:LOAD:TRACe <label>,<'file_name'>`

`:MMEMory:LOAD:CORRection ANTenna|CABLE|OTHer|USER,<'file_name'>`

`:MMEMory:LOAD:LIMit LLINE1|LLINE2,<'file_name'>`

Remote Command Notes: For the `MMEM:LOAD:TRAC <'file_name'>` command, `<'file_name'>` must include the following:

- Complete path
- A file extension of TRC
- Use all uppercase letters.
- Trace labels are: TRACE1 | TRACE2 | TRACE3

For the `MMEM:LOAD:STAT 1` command:

- If the firmware revision of the state being loaded is newer than the firmware revision of the instrument, no state is recalled and an error is reported.
- If the firmware revision of the state being loaded is the same as the firmware revision of the instrument, all settings of the state will be loaded.
- If the firmware revision of the state being loaded is older than the firmware revision of the instrument, the instrument will only load the older settings of the state.

Example: MMEM:LOAD:STAT 1, 'C:MYSTATE.STA' loads the state file
C:\MYSTATE.STA.

MMEM:LOAD:TRAC TRACE3, 'C:MYTRACE.TRC' loads the trace in file
C:\MYTRACE.TRC into trace 3.

2.6.3.2 Type

Enables you to select the type of file you want to load. See “File Types” on page 120 and “Type” on page 123 for more information.

The file types available for loading are described in the following table:

Type	Format	Destination	Extension
State	State		STA
Trace	Trace + state	Trace 1, 2, 3, or all traces	TRC
	Comma separated trace values	Trace 1, 2, 3, or all traces	CSV
Limit	Internal data format		LIM
Corrections	Internal data format		ANT, CBL, OTH, and AMP

NOTE All is not a file type option in **Load**, you have to specify the desired file type.

Key Path: File, Load

2.6.3.3 Sort

Allows you to view saved files according to a selected file attribute. See “Sort” on page 124 for more information.

Key Path: File, Load

2.6.3.4 Destination

When **Type** is set to **Trace**, **Destination** allows you to direct your data to **Trace 1**, **Trace 2**, or **Trace 3** for a single-trace file. If the data is for all three traces (**Source** was **All** when they were saved), the data will be returned to the original trace registers, regardless of the **Destination** setting.

When **Type** is set to **Limits**, **Destination** allows you to direct your data to **Limit 1** or **Limit 2**.

Key Path: **File, Load**

State Saved: Not saved in Instrument State.

Factory Preset: Trace file format, is All Traces at power on.

2.6.3.4.1 Trace 1

Selects trace 1 for the trace data to be loaded into.

Key Path: **File, Load, Destination**

State Saved: Not saved in Instrument State.

Factory Preset: Not affected by **Preset**. Power up and **Restore Sys Defaults** sets **Trace 1**.

2.6.3.4.2 Trace 2

Selects trace 2 for the trace data to be loaded into.

Key Path: **File, Load, Destination**

State Saved: Not saved in Instrument State.

Factory Preset: Not affected by **Preset**. Power up and **Restore Sys Defaults** sets **Trace 1**.

2.6.3.4.3 Trace 3

Selects trace 3 for the trace data to be loaded into.

Key Path: **File, Load, Destination**

State Saved: Not saved in Instrument State.

Factory Preset: Not affected by **Preset**. Power up and **Restore Sys Defaults** sets **Trace 1**.

2.6.3.5 Dir Up

Moves up one subdirectory level within a directory. If your position is in the top level of the drive already, it moves up to the drive level and the current drive is highlighted (A: or C:).

Key Path: **File, Load**

State Saved: Not saved in Instrument State.

Factory Preset: Trace file format, is All Traces at power on.

2.6.3.6 Dir Select

Displays the highlighted directory. See [“Dir Select” on page 126](#) for more information.

Key Path: **File, Load**

State Saved: Not saved in Instrument State.

Factory Preset: Trace file format, is All Traces at power on.

2.6.4 Delete

Displays the **Delete** menu keys that enable you to delete instrument data files from the selected directory. The catalog list box is active and can be used for selecting file information for the data-entry fields. Only files that match the current type are shown. Placing the cursor on a file name causes it to be loaded into the file name field.

Key Path: **File**

2.6.4.1 Delete Now

Executes the delete function. After you select the file or directory you want to delete, press **Delete Now** to perform the delete. While the file is being deleted, the popup message “Deleting file” followed by “Reading directory” are displayed. After a successful deletion, the text message “xxxxxxx file deleted” (where xxxxxx is the file name) appears in the status line.

If you select a directory or subdirectory to delete, the following popup message is displayed “WARNING: You are about to delete all of the contents of directory xxxxxx. Press Delete Now again to proceed or any other key to abort.” (xxxxxx is the full path and directory name).

To quickly delete all of the file in a directory, select the file at the top of the list and press **Delete Now** repeatedly until all the files are deleted.

Key Path: File, Delete

Remote Command:

:MMEMory:DELEte <'file_name'> deletes a file.

:MMEMory:RDIREctory <'directory_name'> deletes a directory.

Remote Command Notes: If <'file_name'> does not exist, a “File Name Error” occurs.

<'file_name'> and <'directory_name'> must include the complete path. Lowercase characters are read as uppercase.

Example: MMEM:DEL 'C:\destinat.trc' removes the file C:\DESTINAT.TRC.

MMEM:RDIR 'C:\myDir' removes directory C:\MYDIR and all files and subdirectories within that directory.

2.6.4.2 Type

Allows you to select the type of file you want to delete. See “File Types” on page 120 and “Type” on page 123 for more information.

Allows you to select the type of files to be displayed for you to delete. Common types of instrument data files include trace data, limit line data, and amplitude correction data. The catalog displays all files, if **Type** is set to **All** or files of the currently selected file type. All directories are always displayed.

Key Path: **File, Delete**

2.6.4.3 Sort

Allows you to view your saved files according to a selected file attribute. See “Sort” on page 124 for more information.

Key Path: **File, Delete**

2.6.4.4 Dir Up

Moves up one subdirectory level within a directory. If your position is in the top level of the drive already, it moves up to the drive level and the current drive is highlighted (A: or C:).

Key Path: **File, Delete**

2.6.4.5 Dir Select

Displays the highlighted directory. See “Dir Select” on page 126 for more information.

Key Path: **File, Delete**

2.6.5 Copy

Displays the functions to copy instrument data files in the selected directory to the directory and file name that you choose. This key also displays a catalog of the files that are currently saved in the selected directory and data-entry fields for the following: file name, type, and path location.

Key Path: **File**

2.6.5.1 Copy Now

Executes the copy function, coping data files from one directory to another on one or more mass storage devices, using the currently displayed file settings. While the file is being copied, the “Copying file” followed by “Reading directory” popup message is displayed. After a successful copy, the green text message “xxxxxx file copied” (where xxxxxx is the file name) appears in the status line. If a copy is being done for a file that already exists in the “To” directory, the text message “File already exists” appears in the status line.

Key Path: File, Copy

Remote Command:

```
:MMEMory:COPY <'file_name1'>,<'file_name2'>
```

Remote Command Notes: The file names must include the complete file paths. Lowercase characters are read as uppercase.

The original file is <“file_name1”>, and the new copy of the file is <“file_name2”>.

Example: :MMEM:COPY 'C:\oldname.sta','A:\newname.sta' copies
C:\OLDNAME.STA to A:\NEWNAME.STA.

2.6.5.2 Type

Enables you to select the type of file you want to copy. See “File Types” on page 120 and “Type” on page 123 for more information. If **Type** is set to **All**, the catalog displays all files, otherwise the files of the currently selected file type are displayed. All directories are always displayed.

Type	Format	Extension
State	State	STA
Trace	Trace + state	TRC
	Comma separated trace values	CSV
Limit	Internal data format	LIM
Screen	Bitmap	GIF
	Reverse bitmap	GIF
Corrections	Internal data format	ANT, CBL, OTH, and AMP
Measurement Results	Comma separated values	CSV

Key Path: File, Copy

2.6.5.3 Sort

Allows you to view your saved files according to a selected file attribute. See “Sort” on page 124 for more information.

Key Path: **File, Copy**

2.6.5.4 Dir From/To

Allows you to select the source and destination directories for your copy on one or more drives. When you press **Dir From/To**, it toggles between the two displayed directory list windows. Allowing you to define the “From” and “To” locations for copying.

Key Path: **File, Copy**

State Saved: Powers up with C:\ as both the “From” and “To” drives. Not save in state. Survives **Factory Preset**.

2.6.5.5 Dir Up

Moves up one subdirectory level within a directory. If your position is in the top level of the drive already, it moves up to the drive level and the current drive is highlighted (A: or C:).

Key Path: **File, Copy**

2.6.5.6 Dir Select

Displays the highlighted directory. See “Dir Select” on page 126 for more information.

Key Path: **File, Copy**

2.6.6 Rename

Allows you to rename a file. The catalog list box is active and can be used for selecting both the path and a file name. Only loadable files that match the current type are shown. Placing the cursor on a file name causes it to be loaded into the file name field.

Key Path: **File**

2.6.6.1 Rename Now

Executes the rename function. When the rename is complete, the message `XXXXXX file renamed to YYYYYY` (where `XXXXXX` and `YYYYYY` are the filenames) will appear in the status line on your display. If you try to rename a file with a name that already exists, the text message `(File already exists)` appears in the status line. Placing the cursor on a file name causes it to be loaded into the file name field.

Key Path: **File, Rename**

Remote Command:

```
:MMEMory:MOVE <'file_name1'>,<'file_name2'>
```

Remote Command Notes: <'file_name1'> must include the complete path, and the case *must* match that of the file to be renamed. <'file_name2'> must contain the complete path of the destination, and the case of any directories in the path *must* match those of the directories in the destination path. The case of the destination file name is always interpreted as uppercase.

You can use this command to move files between directories and drives, even though there is no way to do this from the front panel.

Example: `MMEM:MOVE 'C:\STATE001.STA' , 'C:\FREQ.STA'`

2.6.6.2 Type

Enables you to select the type of file you want to rename. See “File Types” on page 120 and “Type” on page 123 for more information.

If **Type** is set to **All**, the catalog displays all files, otherwise the files of the currently selected file type are displayed. All directories are always displayed.

Type	Format	Extension
State	State	STA
Trace	Trace + state	TRC
	Comma separated trace values	CSV
Limit	Internal data format	LIM
Screen	Bitmap	GIF
	Reverse bitmap	GIF
Corrections	Internal data format	ANT, CBL, OTH, and AMP
Measurement Results	Comma separated values	CSV

Key Path: **File, Rename**

2.6.6.3 Sort

Allows you to view your saved files according to a selected file attribute. See “Sort” on page 124 for more information.

Key Path: **File, Rename**

2.6.6.4 Name

Displays the Alpha Editor and enables you to enter the file name you want to rename the file to. The numeric keypad can also be used to enter a filename while the alpha editor is accessed. Complete your entry by pressing **Return** or **Enter**. See [“Name” on page 132](#) for more information.

NOTE Only capital letters (A-Z) and digits (0-9) may appear in file names (8 characters, maximum). Additionally, file names include a 3 digit extension which is automatically set by the instrument.

Key Path: **File, Rename**

2.6.6.5 Dir Up

Moves up one subdirectory level within a directory. If your position is in the top level of the drive already, it moves up to the drive level and the current drive is highlighted (A: or C:).

Key Path: **File, Rename**

2.6.6.6 Dir Select

Displays the highlighted directory. See [“Dir Select” on page 126](#) for more information.

Key Path: **File, Rename**

2.6.7 Create Dir

Displays the functions to create a new subdirectory in the currently selected directory.

Key Path: **File**

2.6.7.1 Create Dir Now

Executes the create a new directory function. While the directory is being created a popup message is displayed “Creating directory” followed by “Reading directory.” After the successful creation of a directory, the text message “Directory xxxxxx created” (where xxxxxx is the new directory name) appears in the status line. If the creation of a new directory is being performed for a directory name that already exists, the text message “Directory already exists” appears in the status line.

Key Path: File, Create Dir

Remote Command:

```
:MMEMOry:MDIRectory <'dir_name' >
```

Remote Command Notes: <'dir_name' > must contain the complete path for the new directory. Lowercase characters are interpreted as uppercase.

Example: MMEM:MDIR 'C:\myDir' creates directory MYDIR on the C:\ drive.

2.6.7.2 Name

Displays the Alpha Editor and enables you to enter a directory name. The numeric keypad can also be used to enter a directory name while the alpha editor is accessed. To complete the entry, press **Return** or **Enter**.

NOTE Only capital letters (A-Z) and digits (0-9) may appear in directory names (8 characters, maximum).

Key Path: File, Create Dir

2.6.7.3 Dir Up

Moves up one subdirectory level within a directory. If your position is in the top level of the drive already, it moves up to the drive level and the current drive is highlighted (A: or C:).

Key Path: File, Create Dir

2.6.7.4 Dir Select

Displays the highlighted directory. See “Dir Select” on page 126 for more information.

Key Path: File, Create Dir

2.6.8 Delete All

Deletes all the files on a floppy disk; any information on the disk will be destroyed.

Key Type: Branch

Key Notes: This key displays the file manager display form which includes data entry fields for the new drive name and path.

There is another definition of Format key that defines the format (file type) of you data that you want to save.

Remote Command:

There is no remote command for this key.

2.6.8.1 Delete All Now

Executes the **Delete All** function. After pressing **Delete All**, the following message will appear on the display: `WARNING: You are about to destroy ALL data on volume A: Press Delete All again to proceed or any other key to abort. While deleting, a popup message is displayed "Deleting All." After a successful floppy disk file deletion, the green text message "Volume A: delete complete", appears in the status line.`

Key Path: File, Delete All

Remote Command:

There is no remote command for this key.

2.6.9 Query Trace Data (Remote Command Only)

This command queries trace data from the specified trace. The data format is set by the command `:FORMat [:TRACe] [:DATA]`. When ASCII format is selected, the data is comma-separated ASCII values. Real or Interger format uses a definite length block of data.

The number of trace points returned is set by `[:SENSE] :SWE:POIN` (from 101 to 8192).

Remote Command:

```
:TRACe [:DATA] ? TRACE1 | TRACE2 | TRACE3 | LLINE1 | LLINE2
```

Remote Command Notes: Commands :MME:STOR:TRAC and :MME:LOAD:TRAC are used to transfer trace data to, or from, the internal hard drive or floppy drive of the instrument.

The query returns the current values of the designated trace. The data is terminated with <NL><END> (for GPIB that is newline, or linefeed, followed by EOI set true; for RS-232 this is newline only.)

Example: :TRAC:DATA? TRACE1

2.6.10 Move Data to a File (Remote Command Only)

This command loads a block of data in the format <definite_length_block> into the instrument memory location <'file_name'>. The query form of the command returns the contents of the file identified by <'file_name'>, in the format of a definite length block of data. The query can be used for copying files out of the analyzer over the remote bus.

A definite length block of data starts with an ASCII header that begins with # and indicates how many additional data points are following in the block. Suppose the header is #512320.

- The first digit in the header (5) tells you how many additional digits/bytes there are in the header.
- The 12320 means 12,320 data bytes follow the header.
- Divide this number of bytes by your selected data format bytes/point, either 8 (for real 64), or 4 (for real 32). In this example, if you are using real 64 then there are 1540 points in the block.

Remote Command:

```
:MME:DATA <'file_name'>,<definite_length_block>
```

```
:MME:DATA? <'file_name'>
```

Example: MME:DATA 'C:\DEST.TXT', '#14abcd' Loads the data "abcd" into C:\DEST.TXT.

```
MME:DATA? 'C:\SCREEN01.GIF' Initiates a transfer of data from file C:\SCREEN01.GIF.
```

2.6.11 Set Data Byte Order (Remote Command Only)

This command selects the binary data byte order for data transfer. It controls whether binary data is transferred in normal or swapped mode. Normal mode is when the byte sequence begins with the most significant byte (MSB) first, and ends with the least significant byte (LSB) last in the sequence: 1|2|3|4. Swapped mode is when the byte sequence begins with the LSB first, and ends with the MSB last in the sequence: 4|3|2|1.

State Saved: Survives **Preset** but not power cycle. Not saved in Instrument State.

Factory Preset: Normal

Remote Command:

```
:FORMat:BORDER NORMal|SWAPped
```

```
:FORMat:BORDER?
```

Example: FORM:BORD SWAP

2.6.12 Format Numeric Data (Remote Command Only)

This command changes the format of the data. It specifies the format used for trace data during data transfer across any remote port. REAL and ASCII formats will format trace data in the current amplitude units. The format of state data cannot be changed. It is always in a machine readable format only.

NOTE One-button measurement functions only support Binary Real 32, Binary Real 64, and ASCII data formats.

When in Spectrum Analysis mode using older instrument firmware, you were only allowed to change the format of trace type data that was returned using TRACe[:DATA]. With this old firmware, other types of measurement data was only available in the ASCII format. (That is, data returned using FETCh, MEASure and READ commands while in Signal Analysis mode.)

For corrected trace data (:TRACe[:DATA] with parameter <trace_name>), REAL and ASCII formats will provide trace data in the current amplitude units. INTEger format will provide trace data in mdBm. The fastest mode is INTEger,32. However, some measurement data will not fit in 32-bit integers.

ASCII - Amplitude values are in amplitude units separated by commas. ASCII format requires more memory than the binary formats. Handling large amounts of this type of data, takes more time and storage space.

Integer,32 - Binary 32-bit integer values in internal units (dBm), in a definite length block.

Real,32 (or 64) - Binary 32-bit (or 64-bit) real values in amplitude units, in a finite length block. Transfers of real data are done in a binary block format.

A definite length block of data starts with an ASCII header that begins with # and indicates how many additional data points are following in the block. Suppose the header is #512320:

- The first digit in the header (5) tells you how many additional digits/bytes there are in the header.
- The 12320 means that 12,320 data bytes follow the header.
- Divide this number of bytes by your selected data format bytes/point, either 8 (for real 64), or 4 (for real 32). In this example, if you are using real 64 then there are 1540 data points in the block.

State Saved: Saved in Instrument State.

Factory Preset: Survives Preset but not power cycle. Powers up in ASCII format.

Remote Command:

```
:FORMat [:TRACe] [:DATA] ASCii | INTeger, 32 | REAL, 32 | REAL, 64
```

```
:FORMat [:TRACe] [:DATA] ?
```

Remote Command Notes:

Corrected Trace Data Types for :TRACe:DATA?<trace_name>	
Data Type	Result
ASCii	Amplitude Units
INTeger,32 (fastest)	Internal Units
REAL,32	Amplitude Units
REAL,64	Amplitude Units

Example: FORM REAL, 32

2.7 FREQUENCY / Channel

Displays the menu of frequency functions. Depending on the **Frequency** entry mode, either the center frequency or the start and stop frequency values appear below the graticule on the display. In Center/Span mode, the **Center Frequency** and **Span** appear, and the **Center Freq** function is automatically activated. In Start/Stop mode, the **Start** and **Stop** frequencies appear, and the **Start Freq** function is automatically activated.

NOTE Although the analyzer allows entry of frequencies greater than its specified range, analyzer performance will be degraded if it is used beyond the specified frequency range.

2.7.1 Center Freq

Activates the function that sets the center of the displayed frequency range to the specified frequency.

Key Path: **FREQUENCY**

Annunciation/

Annotation: Center <value> appears in the lower left corner of the display.

Dependencies/

Couplings: Center frequency and span are coupled to each other.

State Saved: Saved in instrument state.

Factory Preset:

Model	Center Frequency
E4440A	13.255 GHz
E4443A	3.355 GHz
E4445A	6.605 GHz
E4446A	22.005 GHz
E4447A	21.495 GHz
E4448A	25.005 GHz

Range:

Model	Frequency Range (with Frequency Offset = 0 Hz)		
E4440A	-100.0 MHz	to	27.00 GHz
E4443A	-100.0 MHz	to	7.20 GHz
E4445A	-100.0 MHz	to	13.70 GHz
E4446A	-100.0 MHz	to	44.50 GHz
E4447A	-100.0 MHz	to	43.48 GHz
E4448A	-100.0 MHz	to	51.00 GHz

Remote Command:

[:SENSE] :FREQUency:CENTer <frequency> |UP|DOWN

[:SENSe] :FREQUency:CENTer?

Example: **FREQ:CENT 5 GHz** sets the center frequency to 5 GHz

FREQ:CENT UP changes the center frequency to 5.1 GHz if you use

FREQ:CENT:STEP 100 MHz to set the center frequency step size to 100 MHz

FREQ:CENT?

2.7.2 Start Freq

Sets the frequency at the left side of the graticule and sets the frequency entry mode to Start/Stop. When the Start/Stop Frequency entry mode is activate, the start and stop frequency values are displayed below the graticule in place of center frequency and span. The left and right sides of the graticule correspond to the start and stop frequencies.

When **Start Freq** reaches the upper frequency limit, the stop frequency is set to the highest available frequency and the start frequency is changed to be less then the stop frequency by the minimum span (10 Hz). **Center Freq** will be updated to the stop frequency minus one-half of the span, or to the stop frequency minus 5 Hz, and **Res BW** and **VBW** will be set to 1 Hz.

Key Path: **FREQUENCY**

State Saved: Saved in Instrument State

Factory Preset: 10 MHz

Range:

Model	Frequency Range		
E4440A	-100.0000000 MHz	to	26.99999999 GHz
E4443A	-100.0000000 MHz	to	7.19999999 GHz
E4445A	-100.0000000 MHz	to	13.69999999 GHz
E4446A	-100.0000000 MHz	to	44.49999999 GHz
E4447A	-100.0000000 MHz	to	42.47999999 GHz
E4448A	-100.0000000 MHz	to	50.99999999 GHz

Remote Command:

[:SENSe] :FREQuency:STARt <freq>

[:SENSe] :FREQuency:STARt?

Example: FREQ:STAR 200 MHz

FREQ:STAR?

2.7.3 Stop Freq

Sets the frequency at the right side of the graticule and sets the frequency entry mode to Start/Stop. When the Start/Stop Frequency entry mode is activate, the start and stop frequency values are displayed below the graticule in place of center frequency and span. The left and right sides of the graticule correspond to the start and stop frequencies.

Key Path: **FREQUENCY**

State Saved: Saved in Instrument State

Factory Preset:

Model	Stop Frequency
E4440A	26.50000000 GHz
E4443A	6.70000000 GHz
E4445A	13.20000000 GHz
E4446A	44.00000000 GHz
E4447A	43.48000000 GHz
E4448A	50.00000000 GHz

Range:

Model	Frequency Range
E4440A	-100.0000000 MHz to 27.00 GHz
E4443A	-100.0000000 MHz to 13.70 GHz
E4445A	-100.0000000 MHz to 7.20 GHz
E4446A	-100.0000000 MHz to 44.50 GHz
E4447A	-100.0000000 MHz to 43.48 GHz
E4448A	-100.0000000 MHz to 51.00 GHz

Remote Command:

[:SENSe] :FREQuency:STOP <frequency>

[:SENSe] :FREQuency:STOP?

Example: FREQ:STOP 1600

 FREQ:STOP?

2.7.4 CF Step

Changes the step size for the center frequency and start/stop frequency functions. Once a step size has been selected and the center frequency function is activated, the step keys (and the UP|DOWN parameters for Center Frequency from remote commands) change center frequency by the step-size value. The step size function is useful for finding harmonics and sidebands beyond the current frequency span of the analyzer. When auto-coupled in a non-zero span, the center frequency step size is set to 10% of the span.

Key Path: **FREQUENCY**

State Saved: Saved in Instrument State

Factory Preset: Span/10

Knob

Increment:

- if Span = 0 Hz increment = RBW/20
- if Span > 0 Hz increment = Span/200

Step Key

Increment:

- if CF Step = auto, Span = 0 Hz step = RBW
- if CF Step = auto, Span > 0 Hz step = Span/10
- if CF Step = manual step = 1, 2, 5 sequence

Range:

Model	Minimum	Maximum
E4440A	1 Hz	27.00 GHz
E4443A	1 Hz	7.20 GHz
E4445A	1 Hz	13.70 GHz
E4446A	1 Hz	44.50 GHz
E4447A	1 Hz	43.48 GHz
E4448A	1 Hz	51.00 GHz

Remote Command:

```
[ :SENSe ] :FREQuency:CENTer:STEP [ :INCRement ] <freq>
```

```
[ :SENSe ] :FREQuency:CENTer:STEP [ :INCRement ] ?
```

```
[ :SENSe ] :FREQuency:CENTer:STEP:AUTO OFF | ON | 0 | 1
```

```
[ :SENSe ] :FREQuency:CENTer:STEP:AUTO?
```

Example: FREQ:CENT:STEP:AUTO ON
 FREQ:CENT:STEP 500 MHz
 FREQ:CENT UP increases the current center frequency value by 500 MHz
 FREQ:CENT:STEP?
 FREQ:CENT:STEP:AUTO?

2.7.5 Freq Offset

Enables you to input a frequency offset value to account for frequency conversions external to the analyzer. This value is added to the display readout of the marker frequency, center frequency, start frequency, stop frequency and all other absolute frequency settings in the analyzer. When a frequency offset is entered, the value appears below the center of the graticule. Offsets may only be entered using the numeric keypad, not the knob or step keys. To eliminate an offset, perform a Factory Preset or set the frequency offset to 0 Hz.

This command does not affect any bandwidths or the settings of relative frequency parameters such as delta markers or span. It does not affect the current hardware settings of the analyzer, but only the displayed frequency values. Offsets are not added to the frequency count readouts. Entering an offset does not affect the trace display.

Key Path: **FREQUENCY**

State Saved: Saved in Instrument State

Factory Preset: 0 Hz

Range: -500 THz to 500 THz

Remote Command:

```
[ :SENSe ] :FREQuency:OFFSet <freq>
```

```
[ :SENSe ] :FREQuency:OFFSet?
```

Example: FREQ:OFFS 10 MHz

2.7.6 Signal Track

When a marker is placed on a signal and **Signal Track** is pressed, the marker will remain on the signal while the analyzer retunes the center frequency to the marker frequency. The analyzer will keep the signal at the center of the display, as long as the amplitude of the signal does not change by more than 3 dB from one sweep to another. If no marker is active, pressing **Signal Track** to **On** will activate a marker, perform a peak search, and center the marker on the display.

If the signal is lost, an attempt will be made to find it again and continue tracking. If there are other signals on screen near the same amplitude, one of them may be found instead. Signals near 0 Hz cannot be tracked effectively as they cannot be distinguished from the LO feedthrough, which is excluded by intent from the search algorithm.

When **Signal Track** is **On** and the span is reduced, an automatic zoom is performed and the span is reduced in steps so that the signal remains at the center of the display. If the span is zero, signal track cannot be activated.

NOTE This function is intended to track signals with a frequency that is changing (drifting), and an amplitude that is not changing. It keeps tracking if in continuous-sweep mode. If in single-sweep mode, the analyzer only does one center frequency adjustment as necessary.

Signal tracking can also be used with the Δ (delta) pair marker function. This could be used to measure the amplitude at a frequency offset, relative to the fundamental signal amplitude, even if the fundamental is drifting. In this situation, the “tracking” function will be done on the delta marker, not on the reference marker. So you would want to put the ref marker on the frequency+offset, and put the Δ marker on the fundamental signal peak. Then turn on signal tracking. The frequency difference between the two markers will stay fixed. The Δ marker, on the fundamental, will track to the center of the display. The marker readout value will show the amplitude delta between the two markers.

Key Path: **FREQUENCY**

Annunciation/

Annotation: ST appears near the lower-left corner of the display. An (*) may appear in the upper-right corner of the display while the analyzer whenever the analyzer finds that it must retune in order to center the signal on the display.

State Saved: Saved in instrument state.

Factory Preset: Off

Remote Command:

:CALCulate:MARKer[1] | 2 | 3 | 4:TRCKing[:STATe] OFF|ON|0|1

:CALCulate:MARKer[1] | 2 | 3 | 4:TRCKing[:STATe] ?

Example: CALC:MARK1:TRCK ON turns on **Signal Track** using Marker 1.

CALC:MARK1:TRCK?.

2.8 Input/Output

Displays the keys that control some of the analyzers signal inputs and outputs.

2.8.1 Input Port

Brings up a menu of input signal sources, the most common one being the front panel RF Input port.

Key Path: **Input/Output**

State Saved: Saved in Instrument State

Factory Preset: RF

Remote Command:

```
[ :SENSe] :FEED RF|AREFERENCE|EMIXer
```

```
[ :SENSe] :FEED?
```

Example: FEED AREF selects the 50 MHz amplitude reference as the signal input.

2.8.1.1 RF

Selects the front panel RF Input port to be the analyzer signal input.

Key Path: **Input/Output, Input Port**

Remote Command:

See [“Input Port” on page 157](#)

Example: FEED AREF selects the 50 MHz amplitude reference as the signal input.

2.8.1.2 Amptd Ref

Selects the 50 MHz, -25 dBm internal amplitude reference as the input signal.

Key Path: **Input/Output, Input Port**

Remote Command:

See [“Input Port” on page 157](#)

Example: FEED AREF selects the 50 MHz amplitude reference as the signal input.

2.8.2 RF Coupling

Specifies alternating current (AC) or direct current (DC) coupling at the analyzer RF input port. Selecting AC coupling switches in a blocking capacitor that blocks any DC voltage present at the analyzer input. This decreases the input frequency range of the analyzer, but prevents damage to the input circuitry of the analyzer if there is a DC voltage present at the RF input.

In AC coupling mode, signals less than 20 MHz are not calibrated. You must switch to DC coupling to see calibrated frequencies of less than 20 MHz. Note that the message DC Coupled will be displayed on the analyzer when DC is selected.

Some amplitude specifications apply only when coupling is set to DC. Refer to the appropriate amplitude specifications and characteristics for your analyzer.

CAUTION When operating in DC coupled mode, ensure protection of the input mixer by limiting the input level to within 200 mV of 0 Vdc. In AC or DC coupling, limit the input RF power to +30 dBm..

Key Path: **Input/Output**

Dependencies/

Couplings: In external mixing mode, input port and RF coupling selection are not available. Not available on 40 GHz or 50 GHz analyzers.

State Saved: Saved in Instrument State

Factory Preset: AC

Remote Command:

:INPut:COUPling AC|DC

:INPut:COUPling?

Example: INP:COUP DC

2.8.3 Input Mixer (Option AYZ only)

Selects either the internal mixer(s) or an external mm-wave mixer. When internal mixing is selected you get normal spectrum analyzer operation and the rest of the external mixing functions are unavailable. With external input mixer selected you can analyze high frequency signals (higher than the spectrum analyzer maximum frequency) by using an appropriate external mixer.

Key Path: **Input/Output**

Annunciation/

Annotation: "Ext Mix" on top line, replacing the attenuator value

Dependencies/

Couplings: Not available when **Preamplifier** is set to **On**.

Remote Command:

See “Input Port” on page 157

:INPut:MIXer INT|EXT

Example: FEED EMIX selects the external mixer as the signal input.

:INP:MIX EXT

:INP:MIX?

2.8.4 321.4 MHz IF Out Opt

Configures the IF path for the default narrow band measurement path (Spectrum Analysis) or for improved 321.4 MHz IF out performance (Down converter WBIF). When the IF signal is being used for normal operation, the frequency response at the 321 Aux IF Out port is degraded. Diverting the IF using the down converter setting lets you take advantage of this improved frequency response at the output port, but you can no longer use the internal path for making measurements.

NOTE Changes in the impedance seen by the 321.4 MHz Aux Out port on the rear panel can impact the amplitude accuracy of the PSA. If the impedance on this port is changed, the user should perform an **Align All Now** to ensure the amplitude accuracy of the PSA.

Key Path: **Input/Output**

Saved State: Saved in instrument state

Factory Preset: Spectrum Analyzer

History: Added in revision A.06.00.

Remote Command:

:OUTPut:ANALog SANalyzer|DNWB

:OUTPut:ANALog?

Example: OUTP:ANAL DNWB

:OUTP:ANAL?

2.8.4.1 Spectrum Analyzer

Switches the IF path to the spectrum analyzer path that is used for normal operation.

Key Path: **Input/Output, 321.4 MHz IF Out Opt**

History: Added in revision A.06.00.

Remote Command:

See “321.4 MHz IF Out Opt” on page 159.

2.8.4.2 Dnconverter WBIF

Configures the IF path for improved frequency response at the 321.4 MHz IF Out connector on the rear of the instrument. While this 321.4 MHz IF path is selected, the signal is routed away from the normal spectrum analyzer signal path. This disables measurements, so no signal is displayed on the display.

Key Path: **Input/Output, 321.4 MHz IF Out Opt**

History: Added in revision A.06.00.

Remote Command:

See “321.4 MHz IF Out Opt” on page 159.

2.8.5 Microwave Preselector

For Option 123 only. This switches the 321.4 MHz IF path between the normal 3 to 26.5 GHz preselected mixer and an optional unpreselected high band mixer. The preselected path is the normal path for the analyser.

WARNING **The first mixer can be overloaded if a large out-of-span signal is present at the input. When the preselector is bypassed this signal passes through to the mixer causing an overload. The instrument cannot detect this condition, so no overload error message is displayed.**

Key Path: **Input/Output**

Dependencies/

Couplings: The functionality is *not* available

- if the start frequency is in band zero (<2.85 GHz).
- when using a **Mode** other than Spectrum Analysis, such as Phase Noise and Noise Figure.

If the preselector state is off, then the instrument start frequency is limited to frequencies ≥ 3.05 GHz.

Saved State: Saved in instrument state

Factory Preset: On

Key Path: Input/Output

History: Added in revision A.06.00.

Remote Command:

```
[ :SENSe] :POWER [:RF] :MW:PRESelector [:STATe] ON|OFF|0|1
```

```
[ :SENSe] :POWER [:RF] :MW:PRESelector [:STATe] ?
```

Example: POW:MW:PRES OFF

2.8.6 Ext Mix Band (Option AYZ only)

Displays the key menus to select one of the pre-defined bands corresponding to the external mixer being used. Or you can define your own frequency band by selecting User. Setting the **Harmonic** key to manual also selects the User band.

Key Path: **Input/Output, Input Mixer**

Dependencies/

Couplings: When **Mixer, Config, Mixer Type** is set to Presel (preselected), the following bands are not available: K, E, W, F, D, G, Y, J.

State Saved: Saved in Instrument State

Factory Preset: A Band, 26.5 to 40 GHz

Remote Command:

```
[ :SENSe] :MIXer:BAND K|A|Q|U|V|E|W|F|D|G|Y|J|USER
```

```
[ :SENSe] :MIXer:BAND?
```

Example: MIX:BAND W

NOTE If **Harmonic** is set **Man**, a query will return "USER". K, E, W, F, D, G, Y, and J are not available if the mixer type is set to Presel.

2.8.6.1 18-26.5 GHz (K)

Selects K band (mixing harmonic –6). Displays the start and stop frequencies for that particular band. Other start/stop frequencies are available as long as they are within the -6 harmonic band.

Key Path: **Input/Output, Input Mixer, Ext Mix Band**

Remote Command:

Example: MIX:BAND K

2.8.6.2 26.5-40 GHz (A)

Selects A band (mixing harmonic –8). Displays the start and stop frequencies for that particular band. Other start/stop frequencies are available as long as they are within the

-8 harmonic band.

NOTE Bands A, Q, U, and V are available with both preselected and unpreselected mixers. The sign of the harmonic value changes with the mixer type. For example with A Band preselected mixer, the harmonic value is 8 while the unpreselected value is -8.

Key Path: **Input/Output, Input Mixer, Ext Mix Band**

Remote Command:

Example: MIX:BAND A

2.8.6.3 33-50 GHz (Q)

Selects Q band (mixing harmonic -10). Displays the start and stop frequencies for that particular band. Other start/stop frequencies are available as long as they are within the -10 harmonic band.

Key Path: **Input/Output, Input Mixer, Ext Mix Band**

Remote Command:

Example: MIX:BAND Q

2.8.6.4 40-60 GHz (U)

Selects U band (mixing harmonic -10). Displays the start and stop frequencies for that particular band. Other start/stop frequencies are available as long as they are within the -10 harmonic band.

Key Path: **Input/Output, Input Mixer, Ext Mix Band**

Remote Command:

Example: MIX:BAND U

2.8.6.5 50-75 GHz (V)

.Selects V band (mixing harmonic –14). Displays the start and stop frequencies for that particular band. Other start/stop frequencies are available as long as they are within the -14 harmonic band.

Key Path: **Input/Output, Input Mixer, Ext Mix Band**

Remote Command:

Example: MIX:BAND V

2.8.6.6 60-90 GHz (E)

Selects E band (mixing harmonic –16). Displays the start and stop frequencies for that particular band. Other start/stop frequencies are available as long as they are within the -16 harmonic band.

Key Path: **Input/Output, Input Mixer, Ext Mix Band**

Remote Command:

Example: MIX:BAND E

2.8.6.7 75-110 GHz (W)

Selects W band (mixing harmonic –18). Displays the start and stop frequencies for that particular band. Other start/stop frequencies are available as long as they are within the -18 harmonic band.

Key Path: **Input/Output, Input Mixer, Ext Mix Band**

Remote Command:

Example: MIX:BAND W

2.8.6.8 90-140 GHz (F)

Selects F band (mixing harmonic –20). Displays the start and stop frequencies for that particular band. Other start/stop frequencies are available as long as they are within the -20 harmonic band.

Key Path: **Input/Output, Input Mixer, Ext Mix Band**

Remote Command:

Example: MIX:BAND F

2.8.6.9 110-170 GHz (D)

Selects D band (mixing harmonic -24). Displays the start and stop frequencies for that particular band. Other start/stop frequencies are available as long as they are within the -24 harmonic band.

Key Path: **Input/Output, Input Mixer, Ext Mix Band**

Remote Command:

Example: MIX:BAND D

2.8.6.10 140-220 GHz (G)

Selects G band (mixing harmonic -32). Displays the start and stop frequencies for that particular band. Other start/stop frequencies are available as long as they are within the -32 harmonic band.

Key Path: **Input/Output, Input Mixer, Ext Mix Band**

Remote Command:

Example: MIX:BAND G

2.8.6.11 170-260 GHz (Y)

Selects Y band (mixing harmonic -38). Displays the start and stop frequencies for that particular band. Other start/stop frequencies are available as long as they are within the -38 harmonic band.

Key Path: **Input/Output, Input Mixer, Ext Mix Band**

Remote Command:

Example: MIX:BAND Y

2.8.6.12 220-325 GHz (J)

Selects J band (mixing harmonic -46). Displays the start and stop frequencies for that particular band. Other start/stop frequencies are available as long as they are within the -46 harmonic band.

Key Path: **Input/Output, Input Mixer, Ext Mix Band**

Remote Command:

Example: MIX:BAND J

2.8.6.13 User

Lets you define the frequency band for your Input Mixer. The frequencies available depend on the currently selected harmonic mixing number. Use **Mixer Config, Harmonic** to select a particular harmonic number.

Equation 2-1 Preselected External Mixer Frequency Ranges vs. Harmonic Number

For N = positive harmonic mixing band numbers:

$$\text{Minimum frequency} = (N \times 2.9\text{GHz}) + 321.4\text{MHz}$$

$$\text{Maximum frequency} = (N \times 6.666\text{GHz}) + 321.4\text{MHz} - 650\text{MHz}$$

For N = negative harmonic mixing band numbers:

$$\text{Minimum frequency} = (N \times 2.9\text{GHz}) - 321.4\text{MHz} + 650\text{MHz}$$

$$\text{Maximum frequency} = (N \times 6.666\text{GHz}) - 321.4\text{MHz}$$

Equation 2-2 Unpreselected External Mixer Frequency Ranges vs. Harmonic Number

For N = positive harmonic mixing band numbers:

$$\text{Minimum frequency} = (N \times 2.9\text{GHz}) + 321.4\text{MHz}$$

$$\text{Maximum frequency} = (N \times 6.9\text{GHz}) + 321.4\text{MHz} - 650\text{MHz}$$

For N = negative harmonic mixing band numbers:

$$\text{Minimum frequency} = (N \times 2.9\text{GHz}) - 321.4\text{MHz} + 650\text{MHz}$$

$$\text{Maximum frequency} = (N \times 6.9\text{GHz}) - 321.4\text{MHz}$$

NOTE The 650 MHz term in the equations above is approximately 2XIF. This term is for the signal identification algorithm. The 6.666 GHz term is the maximum LO range based on the preselector tune circuitry in the analyzer.

Saved State Saved in instrument state

Key Path: **Input/Output, External Mixer, Ext Mix Band**

Remote Command:

See [“Ext Mix Band \(Option AYZ only\)” on page 161](#)

Example: MIX:BAND USER

MIX:HARM -14

2.8.7 Signal ID (Option AYZ only)

Activates a signal identification algorithm when **Signal ID** is pressed to select **On**, that either removes or aids with the identification of multiple and image responses of true input signals. Multiple and image responses may be generated when using unpreselected external mixers.

The amplitude accuracy of the analyzer is degraded when signal identification is on. Use **Signal ID** to identify true signals, then turn **Signal ID** off to make accurate amplitude measurements.

NOTE If the input signal is too broadband or unstable for the identification process to properly identify it, turn off the signal identification and look for two similar responses separated by approximately 642.8 MHz (twice the 321.4 MHz first IF). If a “-” mixer mode (for example: 8-) is active, the right member of the response pair is the correct response; if a “+” mixer mode is active, the left member of the response pair is the correct response.

Key Path: Input/Output, External Mixer

Annunciation/

Annotation: “SID” message appears on the upper right of the screen when the signal ID is turned on.

Dependencies/

Couplings: Not available when:

- Averaging is set to on
- Manual FFT mode
- Sig Track is set to on
- Preselected external mixer selected

State Saved: Saved in Instrument State

Factory Preset: Off

History:

Remote Command:

```
[[:SENSE]:SIDentify[:STATE] OFF|ON|0|1
```

```
[[:SENSe]:SIDentify: [STATE] ?
```

Example: SID 1

2.8.8 Signal ID Mode

Displays a menu to select the method of signal identification.

Key Path: **Input/Output, External Mixer**

State Saved: Saved in Instrument State

Factory Preset: Image Suppress

Remote Command:

```
[ :SENSe ] :SIDentify:MODE ISUPpress | ISHift
```

```
[ :SENSe ] :SIDentify:MODE?
```

Example: `SID:MODE ISUP`

2.8.8.1 Image Suppress

This signal identification method attempts to suppress all but valid responses by mathematically removing all image and multiple responses of signals present at the mixer input. The analyzer internally acquires the data in a two sweep sequence, operates on the acquired data, and displays the result in Trace 1. Since two measurements are taken for each display cycle, the display update rate is reduced.

Key Path: **Input/Output, External Mixer, Signal ID Mode**

State Saved: Saved in Instrument State

Remote Command:

See [“Signal ID Mode” on page 167](#)

Example: `SID:MODE ISUP`

2.8.8.2 Image Shift

Does signal identification in a two sweep sequence. Places data from the first sweep in Trace 1, and data from the second (frequency shifted) sweep in Trace 2. Signal responses of Trace 1 and Trace 2 having the same horizontal position are considered to be in the current band and therefore can be analyzed with the amplitude and frequency measurement systems of the analyzer. All other responses are invalid and should be ignored.

Key Path: **Input/Output, External Mixer, Signal ID Mode**

State Saved: Saved in Instrument State

Remote Command:

See [“Signal ID Mode” on page 167](#)

Example: `SID:MODE ISH`

2.8.9 Mixer Config

Displays the Mixer Config menu keys to manually set the harmonic, select the preselected mixers or unpreselected mixers, and adjust the internal bias source for use with mixers requiring bias.

Key Path: **Input/Output, External Mixer**

State Saved: Saved in Instrument State

2.8.9.1 Harmonic

The harmonic mixing number, its associated sign, and the availability of mixer bias can be automatically controlled by setting **Harmonic** to **Auto**. In Auto, the harmonic number and sign are determined by the **Ext Mix Band** selected. For bands A, Q, U and V, they are determined by the **Ext Mix Band** and by whether **Mixer Type** is set to preselected or unpreselected. There are no auto rules for **Ext Mix Band** set to **Auto**, therefore, selecting **Auto** forces **Ext Mix Band** to A band.

The harmonic number indicated is a signed number. Positive numbers (sign not displayed) indicate that the tuned frequency is above the desired LO harmonic by the 321.4 MHz IF. Negative numbers indicate an LO harmonic below the tuned frequency by the 321.4 MHz IF.

Key Path: **Input/Output, External Mixer, Mixer Config**

State Saved: Saved in Instrument State

Factory Preset: Auto

Range: -50 to 50, can not be set to 0.

Remote Command:

```
[[:SENSe]:MIXer:HARMonic:AUTO OFF|ON|0|1 or <boolean>
```

```
[[:SENSe]:MIXer:HARMonic:AUTO?
```

```
[[:SENSe]:MIXer:HARMonic <integer>
```

```
[[:SENSe]:MIXer:HARMonic?
```

Example: MIX:HARM:AUTO 0

MIX:HARM 8

2.8.9.2 Mixer Type

Selects which type of mixer is in use. **Mixer Type (Presel)** activates a tuning signal that is routed to the **PRESEL TUNE OUTPUT** connector on the rear panel of the analyzer. This signal has a sensitivity of 1.5V/GHz of the LO frequency and drives the tune input of the HP/Agilent 11974 series of preselected mixers. The sweep rate in **Presel** mode is limited to 40 MHz/ms.

Key Path: **Input/Output, External Mixer, Mixer Config**

Dependencies/

Couplings: Only available in bands A, Q, U and V, and only when **Mixer Bias** is off.

State Saved: Saved in Instrument State

Factory Preset: Unpre

Remote Command:

```
:INPut:MIXer:TYPE PRESelected|UNPreselect
```

```
:INPut:MIXer:TYPE?
```

Example: INP:MIX:TYPE UNPR

2.8.9.3 Mixer Bias

Turns on/off the **Mixer Bias** and adjusts an internal bias source for use with external mixers. The bias signal is present on the center conductor of the IF INPUT connector on the front panel.

Key Path: **Input/Output, External Mixer, Mixer Config**

Dependencies/

Couplings: If Mixer Type is set to Presel *AND* Harmonic is set to Auto, then the Mixer Bias key is set to Off and it is not available (grayed out).

If Mixer Bias is set to On *AND* Harmonic is set to Auto, then the Mixer Type key is set to Unpresel and it is not available (grayed out).

State Saved: Saved in Instrument State

Range: -10 to 10 mA

Remote Command:

[:SENSE] :MIXer:BIAS <number>

[:SENSE] :MIXer:BIAS?

[:SENSE] :MIXer:BIAS:STATe OFF|ON|0|1

[:SENSE] :MIXer:BIAS:STATe?

Example: MIX:BIAS 1
 MIX:BIAS?
 MIX:BIAS:STAT 1
 MIX:BIAS:STAT?

3 Instrument Functions: M – O

This chapter provides key descriptions and programming information for the front-panel key functions of your analyzer starting with the letters M through O. The front-panel functions are listed alphabetically and are described with their associated menu keys. The lower-level menu keys are arranged and described as they appear in your analyzer.

NOTE

The front- and rear-panel features, along with the numeric keypad and alpha-numeric softkey fundamentals are illustrated and described, in your Getting Started guide.

3.1 Marker

Accesses the marker control menu. If no markers are active, pressing **Marker** activates the currently selected marker as a normal type marker and places it at the center of the display. (This will be marker 1 if you have not previously selected a different marker.) There are five control modes for the markers:

Normal (POSITION) - A single marker that can be moved to any point on the trace.

Delta (DELTA) - A fixed reference marker and a moveable marker that you can place at any point on the trace

Delta Pair (BAND) - Both a movable delta and a movable reference marker. You can independently adjust the position of each marker.

Span Pair (SPAN) - A moveable reference and a movable delta marker. You can adjust the center point of the markers and the frequency span between the markers.

Off (OFF) - Turns off the active marker or marker pair.

Your instrument stores data to a high degree of resolution and accuracy. It is often difficult to read the trace data directly from the screen to the desired accuracy. Markers are diamond-shaped pointers that can be placed at any point on a trace to accurately read the data at that point. Markers may also be use in pairs to read the difference (or *delta*) between two data points. The marker number is indicated above the marker. Use the data controls to position the marker. The knob and/or Up/Down keys move the marker left or right. If a value is entered from the numeric keypad, the marker is moved to the trace point nearest to that value.

The data for the *active* marker (the one currently be controlled) appears in the upper-right corner of the display. In addition, when a marker is being actively controlled, the marker data appears in the active function area of the display. There are four markers in your instrument; each can be controlled as a single marker or as a reference/delta pair.

A *trace* is a connected series of points displayed on the instrument screen. The left-most point is point 0 and the right-most point (default) is 600. You control markers by moving them from trace point to trace point. *Markers* are shaped like diamonds. The lowest point of the diamond shape represents the trace point that is being read. The marker number is indicated above the active marker. The same marker number is indicated with an R (for example, 1R) above the reference marker when in a delta mode (delta, delta pair, and span pair).

Marker Units

- **Normal** markers - the display shows the value of the Y-axis position of the marker in the current Y-axis units. (See **Amplitude, Y Axis Units**.)
- **Delta, Delta Pair, or Span Pair** markers - the display shows the ratio (difference when expressed in dB) between two markers. If the Y-axis units are logarithmic (dBm, dBmV, dBuV) the ratio is expressed in dB. If the Y-axis units are linear (volts, watts) the ratio is expressed in percent (where 100% is the same as 0 dB difference). Note that the value when the Y-axis units are watts is the square of the value when the Y-axis units are volts. For example, when the percent ratio with Y-axis units in volts is 20% (0.2), the percent ratio with Y-axis units in watts will be 4% ($0.2^2 = 0.04$). When you read the value out remotely you have to know whether you are in log (dB) or linear (percent).
- Marker functions (**Marker Noise** and **Band/Intvl Power**) - the display shows the values with units that are dependent on the function and the Y-axis units. Refer to the individual function descriptions for more details about the units used. When you read the value out remotely you have to know what the expected units are.

Remote Command:

```
:CALCulate:MARKer[1] | 2 | 3 | 4:MODE POSITION|DELTA|BAND|SPAN|OFF
```

```
:CALCulate:MARKer[1] | 2 | 3 | 4:MODE?
```

Sets or queries the marker control mode (see parameter list above).

```
:CALCulate:MARKer[1] | 2 | 3 | 4:X <param>
```

Sets the marker X position to a specified point on the X axis in the current X-axis units (frequency or time). If the frequency or time chosen would place the marker off screen, the marker will be placed at the left or right side of the display, on the trace. This command will have no effect if the marker is **OFF**.

```
:CALCulate:MARKer[1] | 2 | 3 | 4:X?
```

Queries the marker X position in the current x-axis units. The marker must be **ON** for the response to be valid.

```
[[:SENSE]:MARKer[1] | 2 | 3 | 4:X:POSITION <param>
```

Sets the marker X position to a specified point on the X axis in display points (values of 0 to 600, or the current number of points in the sweep). The marker must already be on.

```
[[:SENSE]:MARKer[1] | 2 | 3 | 4:X:POSITION?
```

Returns the current marker X position in display points.

```
:CALCulate:MARKer[1] | 2 | 3 | 4:Y?
```

Queries the marker Y value or delta in the current y axis units. Can also be used to read the results of marker functions such as **Marker Noise**. The marker must be **ON** for the response to be valid.

Remote Command Notes: The `:CALC:MARK:PEAK:SEARC:MODE MAX|PAR` command specifies how a peak is identified for use with the marker commands. See [“Peak Search” on page 217](#).

Example: `CALC:MARK:MODE POS` selects marker 1 and sets it to **Normal**.
`CALC:MARK2:X 20 GHZ` selects marker 2 and moves it to 20 GHz. (Marker 2 must first be turned on.)

3.1.1 Select Marker

Selects one of the four possible marker or marker pairs. Once a marker is selected, it can be set to any of the control modes, **Normal**, **Delta**, **Delta Pair**, **Span Pair**, or **Off**.

Key Path: **Marker**

State Saved: The number of the selected marker is saved in instrument state.

Factory Preset: Marker 1

Remote Command:

```
:CALCulate:MARKer [1] | 2 | 3 | 4 :STATe OFF | ON | 0 | 1
:CALCulate:MARKer [1] | 2 | 3 | 4 :STATe?
```

Sets or queries the state of a marker. Setting a marker to state ON or 1 selects that marker. Setting a marker which is OFF to state ON or 1 puts it in **Normal** mode and places it at the center of the display. Setting a marker to state OFF or 0 selects that marker and turns it off. The response to the query will be 0 if OFF, 1 if ON.

Example: `CALC:MARK2:STAT ON` selects marker 2.
`CALC:MARK:STAT ON` will not modify a marker that is already on.

3.1.2 Normal

Sets the control mode for the selected marker to **Normal** (see [“Marker” on page 173](#)). If the marker is off, a single marker is activated at the center of the display. The marker stays on the trace at the horizontal screen position where it was placed unless **Signal Track**, or a “marker to” key function (such as **Mkr** → **CF**, **Mkr** → **RL**, **Mkr** → **CF STEP**, **Mkr** Δ **Span**, or **Min Search**) is selected. If you are in a marker pair mode, for example **Delta Marker**, the reference marker is turned off. You can then adjust the trace point of the marker.

Key Path: Marker

Remote Command:

See [“Marker” on page 173](#) for the mode command.

Example: `:CALC:MARK:MODE POS` selects marker 1 and sets it to **Normal**.

3.1.3 Delta

Sets the control mode for the selected marker to **Delta** (see “[Marker](#)” on page 173). In **Delta** mode the display shows the difference between the active (**Delta**) marker and a reference marker. When **Delta** mode is selected the reference marker is placed at the current marker position. If the marker is **OFF** both the active marker and the reference marker are placed at the center of the display. The amplitude and frequency (or time) of the first marker is fixed. The marker number is indicated above the delta marker, and the same number is indicated with an R (for example, 1R) above the reference marker. You can adjust the trace point of the active delta marker. Annotation in the active function block and in the upper-right corner of the display indicates the frequency or time difference and amplitude difference of the two markers. If marker noise is set to On while using Delta and the noise marker is placed on the noise floor, the marker readout displays signal to noise.

Selecting **Delta** while already in **Delta** mode causes the reference marker to be reset to the current active (Δ) marker position, enabling you to make delta measurements from differing reference points without having to turn off the markers and begin again. Pressing Marker Normal moves the Reference Marker to the Delta Marker position and turns off Delta Marker.

The amplitude of the reference marker is fixed. In non-zero spans the frequency of the reference marker is fixed. If the center frequency of the analyzer is changed such that the reference marker is off the screen, an arrow will appear with the marker number at the left or the right side of the display. This indicates where the trace point is for the reference marker.

In **Zero Span** the reference marker remains fixed at the trace point on which it was placed. Also, changing **Center Frequency** does not move the reference marker while in **Zero Span**.

The markers will be turned off if the scale type is changed between log and linear.

Key Path: Marker

Remote Command:

See “[Marker](#)” on page 173 for the mode command.

Example: `CALC:MARK4:MODE DELT` selects marker 4 as a delta marker and places a reference marker at the marker 4 position. If marker 4 is OFF it places both the active and the reference markers at the center of the display.

3.1.4 Delta Pair

Sets the control mode for the selected marker to **Delta Pair** (see “[Marker](#)” on page 173). In **Delta Pair** mode the display shows the difference between the delta marker and a reference marker and enables you to adjust both the **Ref** (start) and **Delta** (stop) markers independently. After you turn on the delta Pair function, pressing the key again toggles between the two markers you are controlling. When **Ref** is underlined you are controlling the reference marker. When Δ is underlined you are controlling the delta marker. The start marker number is indicated with a number and an **R** above the marker (for example, 1R) and the delta marker is indicated with a marker number.

There are four conditions that can occur when **Delta Pair** mode is selected.

- If marker mode is **Off**, the delta marker and reference marker are placed at the center of the display.
- If marker mode is **Normal**, the delta marker and reference marker are placed at the current marker position on the trace.
- If the marker mode is **Delta**, the current marker position remains unchanged and the reference marker is placed on the trace at the reference marker position.
- If the marker mode is **Span Pair**, the marker positions remain unchanged.

The difference between **Delta Pair** and **Delta** modes is that in **Delta Pair** mode the reference marker stays on the trace and you can adjust its trace point. The note (Tracking Ref) appears on the **Delta Pair** key because, in effect, the reference marker “tracks” the trace. (By comparison, in **Delta** mode the reference marker does not track changes in the trace results, it remains anchored in amplitude and frequency.)

Once positioned, the markers stay on the trace points you have selected. Ref and Delta markers maintain their displayed x-axis location, but not their frequency values when you change a parameter that redefines the x-axis scale. Reset these markers when parameters such as Span or Center Freq are changed. Adjusting the Span changes the difference between the two markers. Changing the Center changes the center point of the two markers. This function is useful in functions such as Band Power. Changing the frequency or sweep time of the analyzer does not change the trace point of the markers. You cannot move the markers off the screen.

Key Path: **Marker**

Factory Preset: Ref is the active parameter. Factory preset marker mode is Off.

Range: Refer to the [:SENSE]:SWEep:POINTs command under “[Points](#)” on page 248.

Remote Command:

See “[Marker](#)” on page 173 for the command to select the control mode.

```
:CALCulate:MARKer[1] | 2 | 3 | 4 :X:START <param>
:CALCulate:MARKer[1] | 2 | 3 | 4 :X:STOP <param>
:CALCulate:MARKer[1] | 2 | 3 | 4 :X:POSition:START <integer>
:CALCulate:MARKer[1] | 2 | 3 | 4 :X:POSition:STOP <integer>
```

The above commands will set the reference (Start), or delta (Stop) marker X locations on the X axis. The markers can be placed on the X axis using the current trace units. Or you can specify their position in display points. Display points are values from 0 to 600 (or the current number of points in the sweep). The marker must already be on.

```
:CALCulate:MARKer[1] | 2 | 3 | 4 :X:START?
:CALCulate:MARKer[1] | 2 | 3 | 4 :X:STOP?
:CALCulate:MARKer[1] | 2 | 3 | 4 :X:POSition:START?
:CALCulate:MARKer[1] | 2 | 3 | 4 :X:POSition:STOP?
```

These commands return the reference (Start), or delta (Stop) marker X value in current X axis units, or the by its position in display points.

Example: `CALC:MARK3:MODE BAND` activates or selects marker 3 and sets it to **Delta Pair**. Refer to “[Marker](#)” on page 173.

`CALC:MARK3:X:POS:STAR 0` moves the reference marker 3 to the left edge of the display.

3.1.5 Span Pair

Sets the control mode for the selected marker to **Span Pair** (see “[Marker](#)” on page 173). In **Span Pair** mode the display shows the difference between the delta marker and a reference marker and enables you to adjust both the ref and delta markers. The start marker number is indicated with a number and an R above the marker (for example, 1R) and the stop marker is indicated with a marker number. After you turn on the Span Pair function, pressing the key again toggles between the two marker parameters you are controlling, span and center.

Adjusting the Span (Span is underlined) changes the frequency difference between the two markers. Adjusting Center (Center is underlined) maintains the marker spacing and changes the frequency of the midpoint between the markers. Adjusting the span changes the frequency difference between the two markers while maintaining the midpoint between the two markers at a fixed frequency. Changing the center changes the center point between the two markers while maintaining the frequency difference.

There are four conditions that can occur when **Span Pair** mode is selected.

- If marker mode is **Off**, the delta marker and reference marker are placed at the center of the display.

- If marker mode is **Normal**, the delta marker and reference marker are placed at the current marker position on the trace.
- If the marker mode is **Delta**, the current marker position remains unchanged and the reference marker is placed on the trace at the reference marker position.
- If the marker mode is **Delta Pair**, the marker positions remain unchanged.

Instrument Functions: M - O

Marker

The difference between **Span Pair** and **Delta** modes is that in **Span Pair** mode the reference marker stays on the trace and you can adjust its trace point.

Once positioned, the markers stay on the trace points on which they have been placed. Changing the frequency or time of the analyzer does not change the trace point of the markers, that is, they stay at the same horizontal position on the display.

You cannot move the markers off the screen. If you adjust either center or span to a value that would cause one of the markers to move off screen, the marker will be placed at the right or left side of the display, on the trace. Changing the Center marker changes the center point of the two markers. This function is useful in functions such as Band Power.

Key Path: **Marker**

Range: Refer to the [:SENSe]:SWEep:POINts command under [“Points” on page 248](#).

Remote Command:

See [“Marker” on page 173](#) for the command to select the control mode.

```
:CALCulate:MARKer[1] | 2 | 3 | 4 :X:POSition:CENTer <param>
```

Sets the mid point of the markers to a specific trace point.

```
:CALCulate:MARKer[1] | 2 | 3 | 4 :X:POSition:CENTer?
```

Returns the midpoint trace point.

```
:CALCulate:MARKer[1] | 2 | 3 | 4 :X:POSition:SPAN <param>
```

Sets the spacing between the markers to a specified number of trace points.

```
:CALCulate:MARKer[1] | 2 | 3 | 4 :X:POSition:SPAN?
```

Returns the spacing of the markers in trace points.

```
:CALCulate:MARKer[1] | 2 | 3 | 4 :X:CENTer <param>
```

Sets the mid point of the markers to a specific frequency with a range that matches the units of the trace on which the markers are positioned.

```
:CALCulate:MARKer[1] | 2 | 3 | 4 :X:CENTer?
```

Returns the midpoint frequency.

```
:CALCulate:MARKer[1] | 2 | 3 | 4 :X:SPAN <param>
```

Sets the spacing between the markers to a specified frequency with a range that matches the units of the trace on which the markers are positioned.

```
:CALCulate:MARKer [1] | 2 | 3 | 4 :X:SPAN?
```

Returns the spacing of the markers in frequency.

Example: `CALC:MARK3:MODE SPAN` selects marker 3 and sets it to **Span Pair**.
`CALC:MARK4:X:POS:SPAN 200` sets the spacing between the markers to 200 trace points for marker pair 4.
`CALC:MARK2:X:POS:CENT 300` sets the midpoint between the markers to the 300th trace point from the left of the display. For a 601 point trace this will be the middle of the display.

3.1.6 Off

Turns off the selected marker. In addition, **Off** turns off functions related to the selected marker such as **Signal Track**, **Band/Intvl Power**, and **Marker Noise** and removes marker annotation from the display.

Key Path: Marker

Remote Command:

See [“Select Marker” on page 175](#) for the command to select the control mode.

Example: `CALC:MARK3:STAT OFF` selects marker 3 and sets it to **Off**.

3.1.7 Marker Trace

Selects the trace that you want your marker or marker pair to be placed on. You can pick **Marker Trace** 1, 2, or 3, or **Auto**. In **Auto** mode, the analyzer places markers on the lowest-numbered trace that is in **Clear Write** mode. If no trace is in **Clear Write** mode, it places the marker on the lowest-numbered trace in **Max Hold** mode. If there are none, then it uses the lowest-number trace in **Min Hold** mode, then in **View** mode. For example, if trace 1 is in view, and trace 2 is in clear write, any new marker is assigned to trace 2.

Key Path: **Marker**

State Saved: The **Marker Trace** for each marker is saved in instrument state.

Factory Preset: Auto on, Trace 1

Range: 1 to 3

Remote Command:

```
:CALCulate:MARKer [1] | 2 | 3 | 4 :TRACe 1 | 2 | 3
```

Puts the marker on the specified trace and turns **Auto OFF** for that marker.

```
:CALCulate:MARKer [1] | 2 | 3 | 4 :TRACe?
```

The query returns the number of the trace on which the marker currently resides, even if that marker is in **Auto** mode.

```
:CALCulate:MARKer [1] | 2 | 3 | 4 :TRACe:AUTO OFF | ON | 0 | 1
```

Turning **Auto** off sets the **Marker Trace** value to the number of the trace on which the marker currently resides.

```
:CALCulate:MARKer [1] | 2 | 3 | 4 :TRACe:AUTO?
```

The response to the query will be 0 if OFF, 1 if ON.

Example: `CALC:MARK1:TRAC 2` places marker 1 on trace 2.

3.1.8 Readout

This access a menu that enables you to affect how the x-axis information for the selected marker is displayed in the marker area (top-right of display) and the active function area of the display. It only affects the readout on the display of the horizontal position information (for example, frequency).

NOTE It does not affect the way this information is sent remotely in response to the `CALC:MARK:X?` command.

Key Path: **Marker**

State Saved: In instrument state, for each marker.

Factory Preset: Frequency for non-zero spans and Time for zero spans.

Remote Command:

```
:CALCulate:MARKer [1] | 2 | 3 | 4 :X:READout FREQuency | TIME | ITIME | PERiod  
:CALCulate:MARKer [1] | 2 | 3 | 4 :X:READout?
```

Example: `CALC:MARK3:X:READ TIME` sets the marker 3 **Readout** to **Time**.

3.1.8.1 Frequency

Sets the marker readout to **Frequency**, displaying the absolute frequency of a normal marker or the frequency of the delta marker relative to the reference marker. Frequency readout is the default setting in non-zero spans and is not available in zero spans.

Key Path: Marker, Readout

Remote Command:

See [“Readout” on page 183](#) for this command.

Example: `CALC:MARK2:X:READ FREQ` sets the marker 2 **Readout** to **Frequency**.

3.1.8.2 Period

Sets the marker readout to **Period**, displaying the reciprocal of the frequency at the marker position, or the reciprocal of the frequency separation of the two markers in a delta-marker mode. Period readout is not available in zero spans. If the markers are at the same frequency in a delta marker mode, the result will be the reciprocal of 0, which is infinitely large. The display will show a very large number.

Key Path: Marker, Readout

Remote Command:

See [“Readout” on page 183](#) for this command.

Example: `CALC:MARK2:X:READ PER`

3.1.8.3 Time

Sets the marker readout to Time, displaying the time interval between a normal marker and the start of a sweep or the time of the delta marker relative to the reference marker. Time is the default setting in zero spans. With a span of zero, the time value is the time position relative to the start of the sweep. In a delta-marker mode it is the (sweep) time interval between the two markers.

Key Path: Marker, Readout

Remote Command:

See [“Readout” on page 183](#) for this command.

Example: `CALC:MARK2:X:READ TIME`

3.1.8.4 Inverse Time

Sets the marker readout to Inverse Time, displaying the reciprocal of (sweep) time between two markers. This function is only available when in both zero span and in a delta-marker modes. If the markers are at the same x position, the time between them is 0, so the reciprocal of sweep time is infinitely large. The display will show a very large number.

Key Path: Marker, Readout

Remote Command:

See [“Readout” on page 183](#) for this command.

Example: `:CALC:MARK2:X:READ ITIM`

3.1.9 Marker Table

When set to On the display is split into a measurement window and a marker data display window. For each marker pair, information is displayed in the data display window, which includes the marker number, trace number, marker type, X axis value, and the amplitude of the marker or the delta value, if a delta marker, or the function value, if in a marker function such as **Marker Noise** or **Band/Intvl Power**.

NOTE Selecting any measurement (including **Meas Off**) under **Measure**, turns off the marker table.

Key Path: **Marker**

Factory Preset: Off

Remote Command:

:CALCulate:MARKer:TABLE:STATE OFF|ON|0|1

:CALCulate:MARKer:TABLE:STATE? returns 1 if ON or 0 if OFF.

Example: CALC:MARK:TABL:STAT ON turns on the marker table.

3.1.10 Marker All Off

Turns off all markers, including markers used for signal track. This key also turns off marker related functions such as **Signal Track**, **Band Interval Power**, and **Marker Noise**.

Key Path: **Marker**

Remote Command:

:CALCulate:MARKer:AOFF

Example: CALC:MARK:AOFF turns off all markers.

Instrument Functions: M - O
Marker

3.2 Marker Fctn

Access special marker functions such as frequency counting and noise markers.

Factory Preset: Off

Remote Command:

```
:CALCulate:MARKer [1] | 2 | 3 | 4 :FUNction BPOWER | NOISE | OFF
```

```
:CALCulate:MARKer [1] | 2 | 3 | 4 :FUNction?
```

Example: CALC:MARK:FUNC NOIS

3.2.1 Select Marker

See [“Select Marker” on page 175](#)

Remote Command:

Example: CALC:MARK2:STAT ON selects marker 2.

3.2.2 Marker Noise

Activates a noise marker for the selected marker. If the selected marker is off it is turned on and located at the center of the display. Reads out the average noise level, normalized to a 1 Hz noise power bandwidth, around the active marker. The noise marker averages 5% of the trace data values, centered on the location of the marker.

The data displayed (if the marker is in Normal mode) is the noise density around the marker. The value readout is followed by “(1 Hz)” to remind you that display is normalized to a one Hz bandwidth.

To measure carrier to noise ratio, be sure that the **Marker Fctn** is *not* **Marker Noise**. Select a **Marker, Normal** type marker. Place the marker on the signal peak, then select **Delta** marker. Now place the active (Δ) marker on the noise, and select **Marker Noise** to change the marker type. In this case, the reference marker has units of amplitude and the data displayed is the ratio of the noise density at the delta marker to the reference marker power. The value readout is dB/Hz if the Y-axis units are logarithmic, and % if the Y-axis units are linear. It is understood, in this case, that % stands for the units $\%/\sqrt{\text{Hz}}$ for volts units and $\%/\text{Hz}$ for watts units.

To measure the ratio of the noise densities at two locations, be sure that the **Marker Fctn** is **Marker Noise**. (The noise is averaged over a region that is 5% of the span, centered at the marker location.) Select **Marker**, **Normal** before selecting **Delta** marker. Then move the active (Δ) marker to the second noise location. In this case both markers have units of noise density (for example, dBm/Hz), so the data displayed represents the ratio of the noise density at the delta marker to the noise density at the reference marker. The value readout is displayed as a ratio (dB or %).

To guarantee accurate data for noise-like signals, a correction for equivalent noise bandwidth is made by the analyzer. The **Marker Noise** function accuracy is best when the detector is set to **Average** or **Sample**, because neither of these detectors will peak-bias the noise. The trade off between sweep time and variance of the result is best when **Avg/VBW Type** is set to Power Averaging. **Auto** coupling, therefore, normally chooses the **Average** detector and **Power Averaging**. Though the Marker Noise function works with all settings of detector and **Avg/VBW Type**, using the positive or negative peak detectors gives less accurate measurement results.

Key Path: **Marker Fctn**

Dependencies/

Couplings: **Video** triggering is not available when the detector is **Average**, therefore marker functions that would set the detector to **Average**, and thus conflict with video triggering, are not available when the **Video** trigger is **On**.

Positive or negative peak detection is not recommended for use when measuring noise-like signals. Though the Marker Noise function allows you to select these detector types, the average noise measurement results will not be as accurate using peak detection as it is using sample or average detection.

Remote Command:

See “[Marker Fctn](#)” on page 187 for the command to select a function.

Remote Command Notes: Note that the value when the Y-axis units are watts is the square of the value when the Y-axis units are volts. For example, when the percent ratio with Y-axis units in volts is 20% (0.2), the percent ratio with Y-axis units in watts will be 4% ($0.2^2 = 0.04$). When you read the value out remotely you have to know whether you are in log (dB) or linear (percent), and if linear, whether volts or watts.

Example: `CALC:MARK:FUNC NOIS` turns on marker 1 as a noise marker.

`CALC:MARK:FUNC?` returns the current setting of marker function for the marker specified. In this case it returns the string: NOIS.

`CALC:MARK:Y?` returns the y-axis value of the **Marker Noise** function for marker 1 (if **Marker Noise** is ON for marker 1).

3.2.3 Band/Intvl Power

Measures the power in a bandwidth (non-zero span) or time interval (zero span) specified by the user. If no marker is on, this key activates the delta pair marker mode. If the detector mode is set to **Auto**, the average detector is selected. If the **Avg/VBW** type is set to **Auto**, **Power Averaging** is selected, other choices of detector and **Avg/VBW** type will usually cause measurement inaccuracy. The active marker pair indicate the edges of the band. Only **Delta Pair** and **Span Pair** marker control modes can be used while in this function, selecting any other mode (for example, **Normal** or **Delta**) turns off this function.

The repeatability of your band power marker measurement can be impacted by the current number of sweep points being used. If you only have a few sweep points in the measurement band of interest, then small changes will have a direct impact on the measurement result. Increasing your number of sweep points will decrease that affect and improve the repeatability.

Key Path: **Marker Fctn**

Dependencies/

Couplings: **Video** triggering is not available when the detector is **Average**, therefore, marker functions that would set the detector to **Average**, and thus conflict with video triggering, are not available when the **Video** trigger is **On**.

Selecting **Band/Intvl Power** when the marker control function is off, normal, or delta will set the marker control function to delta pair.

Your band power marker measurement accuracy and repeatability can be degraded if you are using a small number of sweep points. For example, if you are using 100 sweep points and making a very narrow band measurement, relative to the current span (<5% of span), the calculation will only be using a couple of the sweep points. A more accurate/repeatable calculation will be done if you increase the number of sweep points, or if you can reduce the span.

Remote Command:

See “[Marker Fctn](#)” on page 187 for the command to select the function.

Example: `CALC:MARK:FUNC BPOW` turns on marker one as a band power marker.

`CALC:MARK:Y?` returns the value of the **Band/Intvl Power** function for marker 1 (if **Band/Intvl Power** is ON for marker 1).

3.2.4 Function Off

Turns off marker functions (**Band/Intvl Power** and **Marker Noise**).

NOTE Delta markers will remain on screen.

Key Path: **Marker Fctn**

Remote Command:

See “[Marker Fctn](#)” on page 187 for the command to select the function.

Example: `CALC:MARK2:FUNC OFF` turns the marker 2 function off.

3.2.5 Marker Count

Accesses the marker count menu.

Key Path: **Marker Fctn**

3.2.5.1 Marker Count

Turns the marker frequency counter on and off for any active marker. If no marker is active before **Marker Count** is pressed, a marker is activated at the center of the display. An asterisk (*) may appear in the upper-right area of the display along with the message Cntr 1 (the number in the message depends on the active marker). If the marker count function is on and you change the active marker, the new active marker will use marker count. If the frequency counter function is on with only one active marker and that marker is turned off, then the frequency counter function is turned off. If the frequency counter function is on with multiple markers turned on and only one is turned off, the frequency counter function stays on. **Marker Count** frequency readings are not affected by the frequency offset function.

In **Zero Span** the counter continues to function, counting any signal near the center frequency of the analyzer.

NOTE Setting **Marker Fctn** to Off does not turn **Marker Count** off.

Key Path: **Marker Fctn, Marker Count**

State Saved: If **Marker Count** is on, that setting is saved in the instrument state.

Factory Preset: Off

Remote Command:

```
:CALCulate:MARKer [1] | 2 | 3 | 4 : FCOunt [:STATE] OFF|ON|0|1
```

```
:CALCulate:MARKer [1] | 2 | 3 | 4 : FCOunt [:STATE] ?
```

```
:CALCulate:MARKer [1] | 2 | 3 | 4 : FCOunt :X?
```

Remote Command Notes: Using the CALC:MARK[1]|2|3|4:FCO command.

If the specified marker number in the command is not the active marker, it becomes the active marker. If the marker number is not turned on, it is first turned on and then it becomes the active marker. Once the marker count function is turned on, it will be on for any active marker, not just the marker number specified when the command was sent.

Using the CALC:MARK[1]|2|3|4:FCO:X? query.

The query returns a 1 only if the marker count function is on and the marker number selected is the currently active marker. The query returns 9e15 if the marker count function is off, or if the specified marker is not the active marker.

Example: CALC:MARK2:FCO ON

CALC:MARK2:FCO:X? returns the counted frequency.

3.2.5.2 Gate Time

Controls the length of time during which the frequency counter measures the signal frequency. For 2 ms and longer gate times, the counter resolution is 0.001 Hz. Longer gate times allow for greater averaging of signals whose frequency is “noisy”, at the expense of throughput. If the gate time is an integer multiple of the length of a power-line cycle (20 ms for 50 Hz power, 16.67 ms for 60 Hz power), the counter rejects incidental modulation at the power line rate. The shortest gate time that rejects both 50 and 60 Hz modulation is 100 ms, which is the value chosen when gate time is in **Auto**.

Key Path: **Marker Fctn, Marker Count**

State Saved: Saved in instrument state.

Factory Preset: Auto, 100 ms

Range: 1 μ s to 500 ms

Instrument Functions: M - O
Marker Fctn

Remote Command:

```
:CALCulate:MARKer:FCOunt:GATetime:AUTO OFF|ON|0|1
```

```
:CALCulate:MARKer:FCOunt:GATetime:AUTO?
```

```
:CALCulate:MARKer:FCOunt:GATetime <time>
```

```
:CALCulate:MARKer:FCOunt:GATetime?
```

Example: `CALC:MARK:FCO:GAT:AUTO On`

`CALC:MARK:FCO:GAT 1e-2` sets the gate time to 10^{-2} s = 10 ms.

3.3 Marker ->

Accesses menu keys that can copy the current marker value into other instrument parameters (for example, **Center Frequency**).

3.3.1 Mkr->CF

Sets the center frequency of the analyzer to the frequency of the selected marker. The marker stays at this frequency, so it moves to the center of the display. This function is not available in **Zero Span**.

Key Path: **Marker ->**

Remote Command:

```
:CALCulate:MARKer [1] | 2 | 3 | 4 [:SET] :CENTer
```

Example: CALC:MARK2:CENT sets the CF of the analyzer to the value of marker 2.

3.3.2 Mkr->CF Step

Sets the center frequency (CF) step size of the analyzer to the marker frequency, or in a delta-marker mode, to the frequency difference between the delta and reference markers. The step size is displayed in the third line of the active function area of the display. This function is not available in **Zero Span**.

Key Path: **Marker ->**

Remote Command:

```
:CALCulate:MARKer [1] | 2 | 3 | 4 [:SET] :STEP
```

Example: CALC:MARK1:STEP sets the CF step to the value (or delta value) of marker 1.

3.3.3 Mkr->Start

Changes the start frequency to the frequency of the active marker. The marker stays at this frequency, so it moves to the left of the display. This function is not available in **Zero Span**.

Key Path: **Marker ->**

Remote Command:

```
:CALCulate:MARKer [1] | 2 | 3 | 4 [:SET] :START
```

Example: `CALC:MARK1:STAR` sets the start frequency to the value (or delta value) of marker 1.

3.3.4 Mkr->Stop

Changes the stop frequency to the frequency of the active marker. The marker stays at this frequency, so it moves to the right of the display. This function is not available in **Zero Span**.

Key Path: **Marker ->**

Remote Command:

```
:CALCulate:MARKer [1] | 2 | 3 | 4 [:SET] :STOP
```

Example: `CALC:MARK1:STOP` sets the stop frequency to the value (or delta value) of marker 1.

3.3.5 Mkr Δ ->Span

Sets the start and stop frequencies to the values of the delta markers. The marker is then set to normal at the center frequency. Only available in **Delta**, **Span Pair**, and **Delta Pair** modes, this function is not available if the marker is off, or in **Normal** mode or when the span is **Zero Span**.

Key Path: **Marker ->**

Remote Command:

```
:CALCulate:MARKer [1] | 2 | 3 | 4 [:SET] :DELTA:SPAN
```

Remote Command Notes: Select the delta marker mode with
:CALCulate:MARKer [1] | 2 | 3 | 4 :MODE DELTA.

Example: CALC:MARK2:DELT:SPAN sets the start and stop frequencies to the values of the delta markers of marker 2.

3.3.6 Mkr Δ ->CF

Sets the delta marker to the center frequency. Only available in **Delta**, **Span Pair**, and **Delta Pair** modes, this function is not available if the marker is off, or in **Normal** mode or when the span is **Zero Span**.

Key Path: **Marker ->**

History: Added with firmware revision A.02.00

Remote Command:

```
:CALCulate:MARKer [1] | 2 | 3 | 4 [:SET] :DELTA:CENTer
```

Remote Command Notes: Select the delta marker mode with
:CALCulate:MARKer [1] | 2 | 3 | 4 :MODE DELTA.

Example: CALC:MARK2:DELT:CENT sets the center frequency to the value of the delta marker center frequency of marker 2.

3.3.7 Mkr->Ref Lvl

Sets the reference level to the amplitude value of the active marker, moving the marked point to the reference level (top line of the graticule).

Key Path: **Marker ->**

NOTE The reference level range is limited by the input attenuator setting, the maximum mixer level, the preamp setting, etc.

Remote Command:

:CALCulate:MARKer [1] | 2 | 3 | 4 [:SET] :RLEVel

Example: CALC:MARK2:RLEV sets the reference level of the analyzer to the amplitude of marker 2.

3.4 MEASURE (Spectrum Analysis Mode)

In the Spectrum Analysis mode (see the **Mode** key), this key displays a menu that lets you make transmitter power measurements such as adjacent channel power, occupied bandwidth, and harmonic distortion measurements, refer to Volume 2, *One-Button Power Measurements User's and Programmer's Reference* for more information about these measurements. If other modes are available and have been selected, the measurements for that particular mode will be displayed. Some common settings can be made for these measurements using the function under the **Mode Setup** key. For example, you may select one of several radio standards available by pressing **Mode Setup, Radio Std.**

NOTE The measurements described in Volume 2, *One-Button Power Measurements User's and Programmer's Reference* are available in SA mode (see **Mode** key). Other measurements are available in other modes if an optional personality is installed, use the appropriate user's guide for information about those modes.

3.4.1 Measurement Setup

Displays the setup menu for the currently selected measurement. This menu is empty if no measurement is active. This could be because **Meas Off** is selected in the **Measure** menu.

Key Path: Front-panel key

Dependencies/

Couplings: Menu choices depend on the currently selected Mode and Menu

Remote Command:

There is no equivalent remote command.

3.5 Meas Control

These functions allow you to pause and resume the currently selected measurement and to select between continuous or single measurements.

NOTE If no measurement has been selected from the **MEASURE** menu, these functions are not available.

Key Path: Front-panel key

3.5.1 Restart

This function restarts a previously paused measurement at the beginning. If the current measurement is still in process, it will stop it as soon as possible and restart it from the beginning.

Key Path: Front-panel key. It can also be found under Meas Control.

Remote Command:

`:INITiate:REStart`

Remote Command Notes: This command is equivalent to sending an `:ABORt` command followed by an `:INITiate[:IMMediate]` command. See [“Abort the Sweep or Measurement \(Remote Command Only\)”](#) on page 202. for more information.

Example: `INIT:REST`

3.5.2 Measure

Switches the analyzer between triggering the current measurement/sweep continuously or triggering a single measurement. The front panel **Single** key also puts the analyzer in single-measurement mode.

Key Path: **Meas Control**

State Saved: Save

Factory Preset: Continuous

Remote Command:

Use `:INITiate:CONTinuous OFF|ON` See “Sweep” on page 240.

Remote Command Notes: This command affects sweeping when in the SA mode. It affects measurements when a measurement has been selected from the MEASure command subsystem.

- When ON, at the completion of each trigger cycle, the trigger system immediately initiates another trigger cycle.
- When OFF, the trigger system remains in an “idle” state until CONTinuous is set to ON or an :INITiate[:IMMediate] command is received. On receiving the :INITiate[:IMMediate] command, it will go through a single trigger cycle, and then return to the “idle” state.
- The query `INIT:CONT?` returns 1 or 0. 1 is returned when the instrument is continuous triggering. 0 is returned when it is single triggering.

Example: `INIT:CONT OFF`

3.5.3 Pause or Resume

This function pauses the currently running measurement. Pressing **Pause** will toggle between pausing and resuming your measurement. The key label will toggle between **Pause** and **Resume**. If an averaged measurement was in progress, the average counter is frozen when the measurement is halted

Key Path: Meas Control

Remote Command:

`:INITiate:PAUSE` to pause the measurement

`:INITiate:RESume` to resume the measurement.

Example: `INIT:PAUS`

Remote Command Notes: See “Abort the Sweep or Measurement (Remote Command Only)” on page 202. for more information.

3.5.4 Trigger a Sweep or Measurement (Remote Command Only)

This command initiates a sweep if in SA mode with no measurement currently selected.

The command is ignored if the instrument is in a measurement (selected under the MEASURE key), but the measurement is currently running, (INITiate:CONTinuous ON).

If a measurement is selected but it is in the idle state (i.e. it's not running, INITiate:CONT OFF), this command triggers the instrument, when trigger conditions are met. The trigger system is initiated, it completes one full trigger cycle and returns to the "waiting" state . Depending on the measurement selected and the number of averages, there may be multiple data acquisitions, with multiple trigger events, for one full trigger cycle. The instrument must have external triggering selected, or the command will be ignored. Use the TRIGger[:SEquence]:SOURce EXT command to select the external trigger.

History: Added in revision A.02.00

Remote Command:

```
:INITiate[:IMMEDIATE]
```

Remote Command Notes: See also the *TRG command and the TRIGger subsystem.

Use the [:SENSe]:<meas>:TRIGger:SOURce command to select the desired trigger. The instrument must be in the single measurement mode. If :INITiate:CONTinuous is ON then the command is ignored.

Use :FETCh? to transfer a measurement result from memory to the output buffer. Refer to individual commands in the MEASure subsystem for more information.

Example: INIT:IMM

3.5.5 Abort the Sweep or Measurement (Remote Command Only)

Stops any sweep or measurement in progress and resets the sweep or trigger system. A measurement refers to any of the measurements found in the **MEASURE** menu. If the trigger conditions are met, another sweep is initiated immediately.

If `:INITiate:CONTinuous` is off (single measure), then `:INITiate:IMMediate` will start a new single measurement.

If `:INITiate:CONTinuous` is on (continuous measure), a new continuous measurement begins immediately.

The `INITiate` and/or `TRIGger` subsystems contain additional related commands.

History: Added in revision A.02.00

Remote Command:

`:ABORt`

Remote Command Notes: In the continuous measurement mode, the **Restart** key is equivalent to `ABORt`.

Example: `ABOR`

3.6 MODE and Mode Setup

Selects the measurement mode of your analyzer. Spectrum Analysis mode is for general purpose measurement use. The instrument comes with the Spectrum Analysis mode. Additional measurement modes can be added to your instrument memory. Refer to the individual measurement personality mode manuals for instructions on how to install the software.

Dependencies/

Couplings: Other modes, besides Spectrum Analysis, must be installed/licensed in your instrument before they will appear in the **Mode** menu. Some modes also require the presence of specific hardware.

Saved State: Saved in instrument state.

SCPI Status Bits/

OPC Dependencies: If you are using the status bits and the analyzer mode is changed, the status bits should be read, and any errors resolved, prior to switching modes. Error conditions that exist prior to switching modes cannot be detected using the condition registers after the mode change. This is true unless they recur after the mode change, although transitions of these conditions can be detected using the event registers.

Changing modes resets all SCPI status registers and mask registers to their power-on defaults. Hence, any event or condition register masks must be re-established after a mode change. Also note that the power up status bit is set by any mode change, since that is the default state after power up.

Factory Preset: Spectrum Analysis

If **Preset Type Mode** is selected, then the analyzer settings are preset but it stays in that selected mode.

Remote Command:

```
:INSTRument [:SElect] BASIC|CDMA|CDMA1XEV|CDMA2K|EDGE|GSM|  
LINK|NADC|NFIGURE|PDC|PNOISE|SA|WCDMA|WLAN
```

```
:INSTRument [:SElect] ?
```

Remote Command Notes: Select the measurement mode. The actual available choices depend upon which modes (measurement applications) are installed in the instrument. A list of the valid choices is returned with the INST:CAT? query.

Once an instrument mode is selected, only the commands that are valid for that mode can be executed.

BASIC
 CDMA1XEV (1xEV-DO)
 CDMA2K (cdma2000)
 EDGE GSM (GSM with EDGE)
 LINK (89600 VSA Link software)
 NADC
 NFIGURE (noise figure)
 PDC
 PNOISE (phase noise)
 SA
 TDSCDMA
 WCDMA (3GPP)
 WLAN

Example: INST SA
 INST?

3.6.1 Spectrum Analysis

Selects the spectrum analysis measurement mode for your analyzer.

Key Path: **Mode**

Remote Command:

:INSTrument[:SELect] SA

Example: INST SA
 INST?

3.6.2 Application Mode Number Selection (Remote command only)

Select the measurement mode by its mode number. The actual available choices depend upon which applications are installed in your instrument.

Dependencies/

Couplings: Other modes, besides Spectrum Analysis, must be installed/licensed in your instrument before they will appear in the **Mode** menu. Some modes also require the presence of specific hardware.

SCPI Status Bits/

OPC Dependencies: If you are using the status bits and the analyzer mode is changed, the status bits should be read, and any errors resolved, prior to switching modes. Error conditions that exist prior to switching modes cannot be detected using the condition registers after the mode change. This is true unless they recur after the mode change, although transitions of these conditions can be detected using the event registers.

Changing modes resets all SCPI status registers and mask registers to their power-on defaults. Hence, any event or condition register masks must be re-established after a mode change. Also note that the power up status bit is set by any mode change, since that is the default state after power up.

Factory Preset: 1 (Spectrum Analysis)

If **Preset Type Mode** is selected, then the analyzer settings are preset but it stays in that selected mode.

Remote Command:

```
:INSTRument:NSElect <integer>
```

```
:INSTRument:NSElect?
```

Remote Command Notes: Enter one of the following integers in the command to set the analyzer mode.

Mode	NSElect Number	Mode Keyword
Basic	8	BASIC
cdmaOne	4	CDMA
CDMA1xEV-DO	15	CDMA1XEV
cdma2000	10	CDMA2K
EDGE with GSM	13	EDGE GSM
89600 VSA Link Software	231	LINK
NADC	5	NADC
Noise Figure	219	NFIGURE
PDC	6	PDC
Phase Noise	14	PNOISE
Spectrum Analysis	1	SA
TD-SCDMA	211	TDSCDMA
W-CDMA for 3GPP	9	WCDMA
WLAN	18	WLAN

Example: `INST:NSEL 4`

3.6.3 Application Mode Catalog Query (Remote command only)

Returns a comma separated list of strings that contain the names of all the installed applications/modes. These names can only be used with the `INST:SELECT` command.

Remote Command:

`:INSTrument:CATalog?`

Example: `INST:CAT?`

Query response: `"SA","CDMA","PNOISE"`

3.6.4 Mode Setup (Spectrum Analysis Mode)

Enables you to change measurement settings common to *all* measurements in the **MEASURE** menu. In Spectrum Analysis mode, there are several built-in power measurements. Parameters that you set in the Mode Setup menu affect all of these measurements, see Volume 2, *One-Button Power Measurements User's and Programmer's Reference* for more information.

| Key Path: Front-panel key

Instrument Functions: M - O
MODE and Mode Setup

4 Instrument Functions: P – Z

This chapter provides key descriptions and programming information for the front-panel key functions of your analyzer starting with the letters P through Z. The front-panel functions are listed alphabetically and are described with their associated menu keys. The lower-level menu keys are arranged and described as they appear in your analyzer.

NOTE

The front- and rear-panel features, along with the numeric keypad and alpha-numeric softkey fundamentals are illustrated and described, in your Getting Started guide.

4.1 Peak Search

Places a marker on the highest peak and displays the search menu. If **Peak Search Type** (Param) is set to **Excursion & Threshold**, the peak found must meet the defined peak excursion and threshold values. (See “[Search Param](#)” on page 214.) Peaks that are less than 1% of the current span away from 0 Hz are ignored. For example, if **Span** is 1 MHz, peaks will not be found between -10 kHz and +10 kHz. If no valid peak is found, an error (No Peak Found) is displayed. To clear this message, press **ESC** before attempting another search.

The peak search parameters are Peak Threshold and Peak Excursion. All searches except Peak Search (Next Peak, Next Left, Next Right, Peak Table, SCPI “PEAKS” command) obey the Search Parameters, which means that only peaks which rise above the Peak Threshold by at least the Peak Excursion are found. Peak Search obeys then when Peak Search is in PARAM mode. When the Peak Search key is in MAX mode, the search parameters are ignored for a Peak Search.

NOTE You can go into the Peak Search menu without actually performing a **Peak Search** by using the front-panel **Return** key (*assuming you have previously accessed the Peak Search menu*). Press **Return** to navigate through the previously accessed menus until you return to the Peak Search menu.

Remote Command:

```
:CALCulate:MARKer [1] | 2 | 3 | 4 :MAXimum
```

Remote Command Notes: The `:CALC:MARK:PEAK:SEARC:MODE MAX|PAR` command specifies how a peak is identified for use with the marker commands. See “[Peak Search](#)” on page 217.

Example: `CALC:MARK2:MAX` performs a peak search using marker 2.

`CALC:MARK2:Y?` queries the marker amplitude (Y-axis) value for marker 2. For more information on this command, see “[Marker](#)” on page 173.

`CALC:MARK2:X?` queries the marker frequency or time (X-axis) value for marker 2. For more information on this command, see “[Marker](#)” on page 173.

4.1.1 Next Peak

Places the marker on the next highest peak with an amplitude less than the current peak. The peak must meet the defined peak excursion and threshold values. Peaks that are less than 1% of the current span away from 0 Hz are ignored. If no valid peak is found, an error (No Peak Found) is displayed. Press **ESC** to clear this message before attempting another search. (Also see the [Peak Excursn](#) and [Pk Threshold](#) key descriptions.)

Key Path: **Peak Search**

State Saved: Not part of saved state.

Remote Command:

```
:CALCulate:MARKer[1] | 2 | 3 | 4 :MAXimum:NEXT
```

Example: `CALC:MARK2:MAX:NEXT` selects marker 2 and moves it to the next highest peak.

4.1.2 Next Pk Right

Moves the marker to the next peak to the right of the current marker. The peak must meet the defined peak excursion and threshold limits. Peaks that are less than 1% of the current span away from 0 Hz are ignored. If no valid peak is found, an error “No Peak Found” is displayed. Press **ESC** to clear this message before attempting another search. (Also see the [Peak Excursn](#) and [Pk Threshold](#) key descriptions.)

Key Path: **Peak Search**

State Saved: Not part of saved state.

Remote Command:

```
:CALCulate:MARKer[1] | 2 | 3 | 4 :MAXimum:RIGHT
```

Example: `CALC:MARK2:MAX:RIGH` selects marker 2 and moves it to the next peak to the right.

4.1.3 Next Pk Left

Moves the marker to the next peak to the left of the current marker. The peak must meet the defined peak excursion and threshold limits. Peaks that are less than 1% of the current span away from 0 Hz are ignored. If no valid peak is found, an error “No Peak Found” is displayed. Press **ESC** to clear this message before attempting another search. (Also see the [Peak Excursion](#) and [Pk Threshold](#) key descriptions.)

Key Path: **Peak Search**

State Saved: Not part of saved state.

Remote Command:

```
:CALCulate:MARKer [1] | 2 | 3 | 4 :MAXimum:LEFT
```

Example: `CALC:MARK2:MAX:LEFT` selects marker 2 and moves it to the next peak to the left.

4.1.4 Min Search

Moves the active marker to the minimum detected amplitude value on the current trace.

Key Path: **Peak Search**

State Saved: Not part of saved state.

Remote Command:

```
:CALCulate:MARKer [1] | 2 | 3 | 4 :MINimum
```

Example: `CALC:MARK:MIN` selects marker 1 and moves it to the minimum amplitude value.

4.1.5 Pk-Pk Search

Finds and displays the amplitude and frequency (or time, if in zero span) differences between the highest and lowest trace points by setting a reference marker on the peak signal and placing a Δ marker on the minimum signal.

Key Path: **Peak Search**

State Saved: Not part of saved state.

Remote Command:

```
:CALCulate:MARKer [1] | 2 | 3 | 4 :PTPeak
```

Example: `CALC:MARK:PTP`

`CALC:MARK:Y?` queries the delta amplitude value for marker 1. For more information on this command, see [“Marker” on page 173](#).

4.1.6 Mkr->CF

See “Mkr->CF” on page 193 for the command to select this function.

Key Path: **Peak Search**

4.1.7 Continuous Pk

When a marker is placed on a signal and **Continuous Pk** is pressed, the marker will remain on the signal even if the signal frequency changes, as long as the amplitude of the signal does not change by more than 3 dB from one sweep to another.

If the signal is lost, an attempt will be made to find it again and maintain the marker on the signal peak. If there are other signals on screen near the same amplitude, one of them may be found instead. Signals near 0 Hz cannot be maintained effectively, because they cannot be distinguished from the LO feedthrough, which is excluded by intent from the search algorithm.

NOTE This function is intended to maintain the marker on signals with a frequency that is changing, and an amplitude that is not changing.

Key Path: **Peak Search**

State Saved: Saved in instrument state.

Factory Preset: Off

Remote Command:

```
:CALCulate:MARKer [1] | 2 | 3 | 4 :CPEak [:STATe] OFF | ON | 0 | 1
```

```
:CALCulate:MARKer [1] | 2 | 3 | 4 :CPEak [:STATe] ?
```

Remote Command Notes: This command may not be used to activate a given marker.

Example: `CALC:MARK:CPE ON`

4.1.8 Search Param

Displays the search parameter criteria menu that enables you to adjust the parameters for the peak search functions. These parameters mean that only peaks that rise above the peak threshold by at least the peak excursion and then drop by at least the peak excursion, are identified as peaks.

Key Path: **Peak Search**

Remote Command:

There is no remote command for this key.

4.1.8.1 Peak Excursn

Sets the minimum amplitude variation of signals that the marker can identify as a separate peak. For example, if a peak excursion value of 10 dB is selected, the marker **Next Peak** function moves only to peaks that rise more than 10 dB above the **Peak Threshold** and then fall back down by at least the **Peak Excursn**. This criteria applies to all traces. This function applies to **Next Peak**, **Next Peak Left**, and **Next Peak Right**. If **Peak Search** is set to **Param**, it also applies to **Peak Search**.

Key Path: **Peak Search, Search Param**

Dependencies/

Couplings: This function is not available when **Y-Axis** is set to **Frequency** instead of **Amplitude**.

State Saved: Saved in instrument state.

Factory Preset: 6.0 dB

Factory
Default: 6.0 dB

Terminators: dB

Default Terminator: dB

Resolution/
Rounding/
Truncation: 0.01 dB

Knob Increment: 1 dB

Step Key
Increment: 1 dB

Range: 0.0 dB to 100 dB

Remote Command:

```
:CALCulate:MARKer [1] | 2 | 3 | 4 :PEAK:EXCursion <rel_amplitude>
```

```
:CALCulate:MARKer [1] | 2 | 3 | 4 :PEAK:EXCursion?
```

Remote Command Notes: **CALC:MARK:PEAK:SEAR:MODE** must be set to **PARAMeter** if you want Peak Search to take advantage of the threshold excursion.

Example: `:CALC:MARK:PEAK:EXC 30 DB` sets the minimum peak excursion requirement to 30 dB.

See the full example for the **CALC:MARK:PEAK:SEAR:MODE** command below.

4.1.8.2 Pk Threshold

Specifies the minimum signal level for the analyzer internal peak identification routine to recognize as a peak. To be considered a peak, a signal must rise above the **Peak Threshold** value by at least the value specified in **Peak Excursn**, then fall back down by at least the **Peak Excursn**. This applies to all traces and all windows. Press **ESC** or select another active function to hide the threshold line. Applies to **Next Peak**, **Next Peak Left**, and **Next Peak Right**. If **Peak Search** is set to Param, it also applies to **Peak Search**.

Key Path: **Peak Search, Search Param**

Dependencies/

Couplings: This function is not available when **Y-Axis** is set to **Frequency** instead of **Amplitude**.

State Saved: Saved in instrument state.

Factory Preset: -90 dBm

Terminators: dBmV, dB μ V, dB μ A, V, W, A

Default Terminator: dBm

Resolution/

Rounding/

Truncation: .001 dBm

Knob Increment: amp scale = LOG: 1 % of dB/div or 0.01 (the larger of the two)

amp scale = LIN: 0.1 dBm

Step Key

Increment: amp scale = LOG: dB/div

amp scale = LIN:

Range: From the current reference level to the bottom of the display range

Remote Command:

```
:CALCulate:MARKer [1] | 2 | 3 | 4 :PEAK:THReshold <ampl>
```

```
:CALCulate:MARKer [1] | 2 | 3 | 4 :PEAK:THReshold?
```

Remote Command Notes: **CALC:MARK:PEAK:SEAR:MODE** must be set to **PARAMeter** if you want peak search to take advantage of the threshold excursion.

Example: `:CALC:MARK:PEAK:THR -60 dBm` sets the threshold to -60 dBm.

See the full example for the **CALC:MARK:PEAK:SEAR:MODE** command below.

4.1.8.3 Peak Search

Sets the mode for **Peak Search** to either **Max** or **Param** and applies to **Peak Search** only.

- **Max** (Maximum mode) places a marker on the highest peak whenever a **Peak Search** is performed.
- **Param** (Parameter mode) searches only for peaks that meet the values set with **Peak Excursn** and **Pk Threshold**.

Key Path: **Peak Search, Search Param**

State Saved: Saved in instrument state.

Factory Preset: Maximum

Factory
Default: Maximum.

Remote Command:

```
:CALCulate:MARKer:PEAK [1] | 2 | 3 | 4 :SEARch:MODE PARAMeter | MAXimum
```

```
:CALCulate:MARKer:PEAK [1] | 2 | 3 | 4 :SEARch:MODE?
```

Remote Command Notes: If mode is set to **MAXimum** (**Max**), peak search will place the marker at the maximum amplitude in the trace. If mode is set to **PARAMeter** (**Param**), peak search will place the marker at the highest peak that rises and falls by at least the peak excursion above the peak threshold. If no peak meets the excursion and threshold criteria, a **No Peak Found** error (error 202) is issued.

The following commands are not affected by the setting of **CALC:MARK:PEAK SEAR:MODE**. They will always use the parameter search mode that defines peaks based on peak excursion and peak threshold.

```
:CALCulate:MARKer[1] | 2 | 3 | 4 :MAXimum
```

```
:CALCulate:MARKer[1] | 2 | 3 | 4 :MAXimum:LEFT
```

```
:CALCulate:MARKer[1] | 2 | 3 | 4 :MAXimum:NEXT
```

```
:CALCulate:MARKer[1] | 2 | 3 | 4 :MAXimum:RIGHT
```

```
:CALCulate:MARKer:PEAK:TABLE:STATE OFF | ON | 0 | 1
```

Example: `CALC:MARK:PEAK:SEARC:MODE PAR` sets the parameter search mode.
`CALC:MARK:PEAK:THR -60 dBm` sets the threshold to -60 dBm.
`CALC:MARK:PEAK:EXC 30 dB` sets the minimum peak excursion requirement to 30 dB.
`CALC:MARK:STAT ON` turns on marker number 1 and puts it on the active trace at mid screen.
`CALC:MARK:MAX` puts marker 1 on the highest peak that is at least 30 dB above the -60 dBm threshold.
`:CALC:MARK:Y?` returns the y-axis (amplitude) value of the marker in current y-axis units.

4.2 Preset

Presetting the instrument provides a known convenient starting point of the instrument state for making measurements. There are three possible actions when you press the **Preset** key:

- For preset type **Mode** (default), the green **Preset** key immediately performs a mode preset. See the descriptions below. Press **System**, **Power On/Preset**, **Preset Type** to select the preset type.
- For preset type **Factory**, the green **Preset** key immediately performs a factory preset. See the descriptions below. Press **System**, **Power On/Preset**, **Preset Type** to select the preset type.
- For preset type **User**, the green **Preset** key brings up a menu of preset key choices. You must press one of these keys to initiate an instrument preset.
 - Pressing **User Preset** resets to the settings/values that you have previously defined as the **User** preset state using the **Save User Preset** key.
 - Pressing **Mode Preset** does not change the mode; it only resets the *current* mode settings to the factory defaults.
 - Pressing **Factory Preset** resets the settings for all the modes to the factory defaults. The factory preset mode is Spectrum Analysis with continuous sweep. If you are not already in the Spectrum Analysis mode, it switches to that mode.
- Pressing **Save User Preset** saves the current user settings.

None of these instrument presets resets “persistent” functions such as GPIB address, time/date display style, or auto-alignment state to the factory defaults. See “[Restore Sys Defaults](#)” on page 231.

If **Preset Type** is set to **Factory** in the **System** menu, pressing the **Preset** front-panel key performs a factory preset, which implements the following:

- Resets the analyzer to Spectrum Analyzer mode.
- Brings up the **Freq** menu, with no active function.
- Sets certain conditions, in all modes, to their default values.
- Clears the input and output buffers and all the trace data.
- Amplitude-correction factors are turned off, but remain in analyzer memory.
- Limit line testing is turned off, but the limit line tables remain in analyzer memory.
- The status byte is set to 0.

NOTE Recalling any state, including the user preset state, will affect the conditions of more parameters than are affected by a factory preset. For example, external preamp gain and input impedance correction are not affected by a factory preset but will be affected by a user preset.

Key Path: Front-panel key

Dependencies/

Couplings: Depends on the preset type (user, mode or factory) setting in the **System**, **Power On/Preset** keys.

SCPI Status Bits/

OPC Dependencies: Clears all pending OPC bits. The status byte is set to 0.

Remote Command:

:SYSTem:PRESet

Remote Command Notes: The `SYSTem:PRESet` command immediately presets the instrument state to values dependent on the preset type that is currently selected (FACTORY, USER, MODE).

`SYSTem:PRESet` will not reset “persistent” functions such as IP address, time/date display style, or auto-alignment state to their factory defaults. Use `SYSTem:PRESet:PERsistent`. See “Restore Sys Defaults” on page 231.

`SYSTem:PRESet:TYPE` sets the type of preset. See “Preset Type” on page 211.

Example: `:SYST:PRESet:TYPE MODE` sets the preset mode type to mode. See “Preset Type” on page 211.

`:SYST:PRESet` presets the instrument to the currently selected preset type.

4.2.1 User Preset

This key is only available when the preset type is set to User. Press **System**, **Power On/Preset**, **Preset Type**, **User**.

Restores the analyzer to a user defined state that has been saved for all analyzer modes. You defined this state when **Save User Preset** was pressed. If the you have never saved a user preset state, then the factory preset state is stored as the user preset state. If the user preset state has been saved but the load fails for any reason, the error message: Unable to load user state is displayed in the status line and the state is reset to whatever it was before the **Preset** key was pressed. This can sometimes happen if firmware has been upgraded or applications have been (un)installed after the user preset state was saved. **Save User Preset** can be accessed by pressing **System**, **Power On/Preset**.

Key Path: **Preset**

Remote Command:

:SYSTem:PRESet See “:SYSTem:PRESet” on page 186.

Example: `SYST:PRESet:SAVE` saves a user state that will be used for the preset
`SYST:PRESet:TYPE USER` selects the user type preset
`SYST:PRESet` immediately presets the analyzer to the user preset.

4.2.2 Mode Preset

This key is only available when the preset type is set to User. Press **System, Power On/Preset, Preset Type, User**.

A mode preset does not change the mode. It resets only the current mode settings to the factory defaults.

Key Path: **Preset**

History: Added with firmware revision A.02.00

Remote Command:

See “:SYSTem:PRESet” on page 186.

*RST

The *RST command always does a mode preset, except that it sets the instrument to do a single sweep/measurement instead of continuous.

Example: SYST:PRES:TYPE MODE selects the mode type preset
SYST:PRES immediately presets the current analyzer mode

4.2.3 Factory Preset

This key is available only when the preset type is set to User. Press **System, Power On/Preset, Preset Type, Factory**.

A factory preset returns instrument settings to the factory default values. If you are not already in the spectrum analysis mode, it switches to that mode. A factory preset does *not* reset “persistent” functions such as GPIB address, time/date display style, or auto-alignment state (see “Restore Sys Defaults” on page 231.)

Key Path: **Preset**

Remote Command:

:SYSTem:PRESet See “:SYSTem:PRESet” on page 186.

Remote Command Notes: This command will not reset “persistent” functions such as GPIB address, time/date display style, or auto-alignment state to their factory defaults. Use SYSTem:PRESet:PERSistent. See “Restore Sys Defaults” on page 231.

Example: SYST:PRES:TYPE FACT selects the factory type preset
SYST:PRES immediately presets the analyzer to its factory defaults

4.2.4 Save User Preset

This key is only available when the Preset Type is set to User. Press **System, Power On/Preset, Preset Type, User**.

Key Path: **Preset** (if preset type is set to User)
System, Power On/Preset. See [“Save User Preset” on page 213](#)

Remote Command:

:SYSTem:PRESet [:USER] :SAVE

Example: SYST:PRES:TYPE USER
SYST:PRES:SAVE

4.3 Print

Initiates an output of the display data to the currently defined printer. The screen remains frozen (no further sweeps are taken) until the data transfer to the printer is complete. Refer to the key description for [Print Setup on page 215](#) for more information about the printer functions.

There must be a valid printer set up for the print function to work. The *Getting Started Guide* includes additional printer installation information.

If you need to abort a print in progress, use the **Esc** (escape) key.

Key Path: Front-panel key

Remote Command:

```
:HCOpy[:IMMediate]
```

Example: HCOpy

4.3.1 Abort the Printout (Remote Command Only)

This command aborts the print that is currently in process.

Remote Command:

```
:HCOpy:ABORt
```

Example: HCOpy:ABOR

4.3.2 Print Setup

Displays the functions that specify a particular printer and control its output.

Key Path: Front-panel key

Remote Command:

There is no remote command for this key.

4.3.2.1 Printer Setup

Enables you to define a printer by selecting its printer language and color capability.

Supported printers are equipped with a parallel interface. (A supported printer is one that accepts Printer Control Language Level 3 or 5). Your printer language can be found in its documentation or in the specifications found on the manufacturer's web page.

- PCL3 printers include most HP DeskJet printers.
- PCL5 printers include most HP LaserJet printers.

The table below lists some current Hewlett-Packard™ printers and their settings.

Printer Models	Language Type	Color Capable
HP DeskJet 310	PCL3	yes
HP DeskJet 320	PCL3	yes
HP DeskJet 400	PCL3	yes
HP DeskJet 670C, 672C, 680C, 682C	PCL3	yes
HP DeskJet 720C, 722C	Windows only (not compatible)	
HP DeskJet 600C, 660C, 670C, 680C, 690C	PCL3	yes
HP DeskJet 820C	Windows only (not compatible)	
HP DeskJet 840C, 850C, 870C, 890C, 895C	PCL3	yes
HP DeskJet 935C, 990C	PCL3	yes
HP DeskJet 1120C	PCL3	yes
HP LaserJet 4L, 4P	PCL5	no
HP LaserJet 5, 5L, 5M, 5P, 5MP, 5N	PCL5	no
HP LaserJet 6, 6L, 6M, 6P, 6MP	PCL5	no
HP Professional Series 2500CM	PCL3	yes
HP DesignJet 755CM	PCL5	yes

Key Path: **Print Setup**

Remote Command:

There is no remote command for this key.

4.3.2.1.1 Language Lets you define your printer language as a PCL3 (Deskjet) or PCL5 (Laserjet) printer.

Key Path: **Print Setup, Printer Setup**

State Saved: Persistent, survives **Preset** and power cycle, but not saved in Instrument State.

Remote Command:

:HCOpy:DEvIce:LANGUage PCL3|PCL5

:HCOpy:DEvIce:LANGUage?

Example: HCOP:DEV:LANG PCL5

4.3.2.1.2 Color Capable Allows you to define whether your printer is color capable (**Yes**) or not (**No**).

NOTE **Color Capable** does *not* specify whether you want a printout in color. See [“Color” on page 228](#) for information.

Key Path: **Print Setup, Printer Setup**

State Saved: Persistent, survives **Preset** and power cycle, but not saved in Instrument State.

Remote Command:

:HCOpy:DEvIce:COLor NO|YES

:HCOpy:DEvIce:COLor?

Example: HCOP:DEV:COL YES

4.3.2.2 Orientation

Allows you to select either **Portrait** or **Landscape** printing. **Landscape** is not available with a PCL3 (Deskjet) printer.

Key Path: **Print Setup**

State Saved: Persistent, survives **Preset** and power cycle, but not saved in Instrument State.

Factory Preset: Portrait

Remote Command:

```
:HCOpy:PAGE:ORientation LANDscape|PORTrait
```

```
:HCOpy:PAGE:ORientation?
```

Example: HCOP:PAGE:ORI LAND

4.3.2.2.1 Portrait Selects Portrait orientation for the printouts from the analyzer.

Key Path: **Print Setup, Orientation**

Readback: Portrait

Remote Command:

See [“Orientation” on page 226](#).

Example: HCOP:PAGE:ORI PORT

4.3.2.2.2 Landscape Selects Landscape orientation for the printouts from the analyzer.

Key Path: **Print Setup, Orientation**

Readback: Landscape

Remote Command:

See [“Orientation” on page 226](#).

Example: HCOP:PAGE:ORI LAND

4.3.2.3 Prints/Page

Selects the number of display prints per page when orientation is set to Portrait. The page will be ejected after the selected number of prints has been printed.

NOTE For Landscape printing, **Prints/Page** is always set to 1.

Key Path: **Print Setup, Orientation**

State Saved: Persistent, survives **Preset** and power cycle, but not saved in Instrument State.

Factory Preset: 1 print/page

Range: 2

Remote Command:

:HCOpy:PAGE:PRINTs <integer>

:HCOpy:PAGE:PRINTs?

Example: HCOP:PAGE:PRIN 2

4.3.2.4 Eject Page

Ejects your printed page.

Key Path: **Print Setup, Orientation**

Remote Command:

:HCOpy:ITEM:FFEed[:IMMediate]

Example: HCOP:ITEM:FFE

Ejects the page if prints per page is set to 2 and only 1 print has completed. Otherwise the page automatically ejects after the print is complete.

4.3.2.5 Page Size

Allows you to select from the following page sizes: **Executive, Letter, Legal, Ledger, A4, and A3.**

Key Path: **Print Setup**

State Saved: Persistent, survives **Preset** and power cycle, but not saved in Instrument State.

Factory Preset: Letter

Remote Command:

:HCOpy:PAGE:SIZE A|B|A3|A4|LETTER|LEGAL|EXECutive|LEDger

:HCOpy:PAGE:SIZE?

Remote Command Notes: Page size “A” is letter, and page size “B” is ledger. There is no size standardization for “legal” or “executive.”

Example: HCOP:PAGE:SIZE A4

4.3.2.5.1 Executive, Letter, Legal, Ledger, A4, or A3 Selectable page sizes available are as follows: **Executive, Letter, Legal, Ledger, A4, and A3.**

Key Path: **Print Setup, Page Size**

State Saved: Persistent, survives **Preset** and power cycle, but not saved in Instrument State.

Factory Preset: Letter

Remote Command:

:HCOpy:IMAGe:COLor[:STATE] OFF|ON|0|1

:HCOpy:IMAGe:COLor[:STATE]?

Example: HCOP:IMAG:COL ON

4.3.2.6 Color

Allows you to select between color or black and white printing on color-capable printers. This key is inactive (grayed out) if **Color Capable** is set to **No**, see [page 225](#).

Key Path: **Print Setup**

State Saved: Persistent, survives **Preset** and power cycle, but not saved in Instrument State.

Factory Preset: Off

Remote Command:

:HCOpy:IMAGe:COLor[:STATE] OFF|ON|0|1

:HCOpy:IMAGe:COLor[:STATE]?

Example: HCOP:IMAG:COL ON

4.4 Restart

This function restarts a previously paused measurement at the beginning. If the measurement is active, it will stop it as soon as possible and restart it from the beginning. If no measurement is active and **Sweep (Single)** is selected, a new sweep is initiated.

When in **Average (On)** mode, (**BW/Avg, Average**) the averaging function is restarted (the trace is reset and the average number is reset to zero).

Key Path: Front-panel key. It can also be found under **Meas Control**.

Remote Command:

`:INITiate:REStart`

Remote Command Notes: This command is equivalent to sending an `:ABORt` command followed by an `:INITiate[:IMMediate]` command. See [“Abort the Sweep or Measurement \(Remote Command Only\)” on page 202](#) for more information.

Example: `INIT:REST`

Instrument Functions: P - Z
Restart

4.5 Save

Saves analyzer states, traces, and screen data to a floppy (A:) drive or internal flash memory (C:) drive, as configured by the **File** menu. For example, if you have configured the instrument to save a trace to the C: drive, every time you press **Save**, it will save the current trace to a file with a new default trace file name.

You must first configure the save file **Type**, **Format**, **Source**, and **Destination** by using **File**, **Save** before pressing the front-panel **Save** key. Pressing the front-panel **Save** key will then be the same as pressing **File**, **Save**, **Save Now**.

Key Path: Front-panel key

Remote Command:

See “[File](#)” on page 119.

Use `:MMEMory:STORe:SCReen <"file_name">`

Use `:MMEMory:STORe:STATe 1,<"file_name">`

The `MMEM:STOR:STAT` command only saves the state of the Signal Analysis mode. Use `*SAV` to save all mode states.

Use `:MMEMory:STORe:TRACe <label>,<"file_name">`

Use `:MMEMory:STORe:LIMit LLINE1|LLINE2,<"file_name">`

Use `:MMEMory:STORe:CORRection ANTenna|CABLe|OTHer|USER,<'file_name'>`

4.6 Single

If the analyzer is in continuous sweep mode and not in a measurement (**Measure, Meas Off**), pressing **Single** changes the sweep control to single sweep, and executes a sweep after the trigger condition is met. If the analyzer is already in single sweep, pressing **Single** executes a new sweep after the trigger condition is met.

Some instrument settings require more than one sweep to complete the measurement (see **BW/Avg, Average**), or if you have selected a measurement from the functions under the **MEASURE** key, this function sets the trigger system to be initiated only once. In this case the trigger condition can be met only once and then all the necessary sweeps will be executed to make the measurement or complete the averaging function.

With Average on (**BW/Avg, Average (On)**), pressing **Single** resets the average trace and starts the average again from a count of zero. Sweeps are averaged until N sweeps are then taken (where N is the average number), and then the sweep is halted.

State Saved: Single sweep setting is saved in instrument state

Factory Preset: Continuous

Remote Command:

```
:INITiate[:IMMEDIATE]
```

```
*TRG
```

Remote Command Notes: Use the `:TRIGger[:SEQUENCE]:SOURCE` command to select the trigger source.

For more information, see [“Trig” on page 299](#).

See also the `*TRG` command information in [Chapter 6](#).

Example: `*TRG`

```
TRIG:IMM
```


4.7 SPAN / X Scale

Activates the Span function and displays the menu of span functions.

4.7.1 Span

Changes the displayed frequency range symmetrically about the center frequency. Setting the span to 0 Hz puts the analyzer into zero span.

Key Path: **SPAN X Scale**

Dependencies/

Couplings: Span is coupled to center frequency. The maximum span may be limited by the center frequency setting.

State Saved: Saved in Instrument State

Factory Preset:

Model	Span
E4440A	26.49 GHz
E4443A	6.69 GHz
E4445A	13.19 GHz
E4446A	43.99 GHz
E4447A	42.98 GHz
E4448A	49.99 GHz

Fundamental Units: Hz

Terminators: GHz, MHz, kHz, Hz

Default Terminator: Hz

Range:

Model	0 Hz, Span Range
E4440A	10 Hz to 26.50 GHz
E4443A	10 Hz to 6.70 GHz
E4445A	10 Hz to 13.20 GHz
E4446A	10 Hz to 44.00 GHz
E4447A	10 Hz to 42.98 GHz
E4448A	10 Hz to 50.00 GHz

Remote Command:

[:SENSe] :FREQuency:SPAN <freq>

[:SENSe] :FREQuency:SPAN?

Example: FREQ:SPAN 2 GHZ

4.7.2 Span Zoom

Turns on signal tracking and activates the span function. Entering a new span value will then change the span while keeping the marker used for signal tracking centered on the screen. Pressing **Span Zoom** is the same as pressing: **Frequency**, **Signal Track (On)**, and **Span**. See [“Signal Track” on page 155](#).

Key Path: **SPAN X Scale**

State Saved: Saved in Instrument State

Remote Command:

No equivalent SCPI command.

4.7.3 Full Span

Changes the displayed frequency span to show the full frequency range of the analyzer. When using external mixing, it changes the displayed frequency span to the frequency range specified for the selected external mixing band.

Key Path: **SPAN X Scale**

Remote Command:

[:SENSe] :FREQuency:SPAN:FULL

Example: FREQ:SPAN:FULL

4.7.4 Zero Span

Changes the displayed frequency span to zero Hertz. The horizontal axis changes to time rather than frequency. The input signal that is at the current center frequency is the displayed amplitude. This is a special operation mode that changes several measurement functions/couplings. The instrument behavior is similar to an oscilloscope with a frequency selective detector installed in front of the oscilloscope. See Application Note 150 for more information on how to use this mode.

Key Path: SPAN X Scale

Remote Command:

See [:SENSe]:FREQuency:SPAN 0 Hz

Example: FREQ:SPAN 0 Hz

4.7.5 Last Span

Changes the displayed frequency span to the previous span setting. If it is pressed immediately after **Signal Tracker Span Zoom** is turned off, then span setting returns to the span that was in effect before these function were turned on.

Key Path: SPAN X Scale

Remote Command:

[:SENSe]:FREQuency:SPAN:PREVious

Example: FREQ:SPAN:PREV

4.8 SWEEP

Activates the **Sweep Time** function and displays the sweep function menu keys.

Key Path: Front-panel key

4.8.1 Sweep Time

Selects the length of time in which the spectrum analyzer sweeps the displayed frequency span. In swept spans, the sweep time varies from 1 millisecond to 2000 seconds plus time for setup which is not calculated as part of the sweep time. Reducing the sweep time increases the rate of sweeps. In zero span, the sweep time may be set from 1 μ s to 6000 s. In FFT spans, the sweep time is not controlled by the user, but is an estimate of the time required to make FFT measurements. Sweep time is coupled to RBW and VBW, so changing those parameters may change the sweep time. When the analyzer has been set to **FFT**, **Sweep Time**, and **Auto Sweep Time** are disabled (grayed out).

You may select a sweep time less than the auto-coupled value; however this may generate measurement errors. If this happens, the error message: Meas Uncal will appear in the upper right corner of the display.

NOTE In zero span or FFT sweeps, the auto/manual function of this key is not applicable. When **Sweep Time (Auto)** is selected in non-zero span, any changes to Sweep Time while in zero span will revert to the Auto value when you return to non-zero span. When **Sweep Time (Man)** is selected in non-zero span, any changes to Sweep Time while in zero span will be maintained when you return to non-zero span (within the available sweep time range). When entering zero span from a non-zero span, the sweep time does not change.

Key Path: **Sweep**

Annunciation/

Annotation: The sweep is displayed in the lower-right corner of the screen. Also, the points displayed parenthetically.

State Saved: Saved in Instrument State

Factory Preset: Auto

Model	Sweep Time
E4440A	66.24 ms
E4443A	11.16 ms
E4445A	22.00 ms
E4446A	110.00 ms
E4447A	107.50 ms
E4448A	125.00 ms

Default Terminator: seconds

Range: in zero span: 1 μ s to 6000s
 in swept spans: 1 ms to 2000s

Remote Command:

```
[ :SENSe ] :SWEep:TIME <time>  
[ :SENSe ] :SWEep:TIME?  
[ :SENSe ] :SWEep:TIME:AUTO OFF|ON|0|1  
[ :SENSe ] :SWEep:TIME:AUTO?
```

Example: SWE:TIME 500 ms
 SWE:TIME:AUTO OFF

4.8.2 Sweep

Switches the analyzer between continuous-sweep and single-sweep mode. Pressing the front-panel Single key will also put the analyzer in single-sweep mode, then take a sweep.

Key Path: **Sweep**
State Saved: Saved in instrument state
Factory Preset: Continuous

Remote Command:

```
:INITiate:CONTInuous OFF|ON|0|1  
:INITiate:CONTInuous?  
:INITiate:[IMMediate]
```

Remote Command Notes: This command affects sweep if not in a measurement, and affects trigger when in a measurement. A “measurement” refers to any of the functions under the **MEASURE** key. This corresponds to continuous sweep or single sweep operation when not in a measurement, and continuous measurement or single measurement operation when in a measurement.

When NOT in a measurement, this command does the following:

- When ON at the completion of each sweep cycle, the sweep system immediately initiates another sweep cycle.
- When OFF, the sweep system remains in an “idle” state until CONTInuous is set to ON or an :INITiate:[IMMediate] command is received. On receiving the :INITiate:[IMMediate] command, it will go through a single sweep cycle, and then return to the “idle” state.

- The query returns 1 or 0 into the output buffer. 1 is returned when there is continuous sweeping. 0 is returned when there is only a single sweep.

When in a measurement, this command does the following:

- When ON at the completion of each trigger cycle, the trigger system immediately initiates another trigger cycle.
- When OFF, the trigger system remains in an “idle” state until CONTinuous is set to ON or an :INITiate[:IMMediate] command is received. On receiving the :INITiate[:IMMediate] command, it will go through a single trigger cycle, and then return to the “idle” state.
- The query returns 1 or 0 into the output buffer. 1 is returned when there is continuous triggering. 0 is returned when there is only a single trigger.

Use the :TRIGger [:SEquence] :SOURce command to select the trigger source.

Example: INIT:CONT OFF

4.8.3 Auto Sweep Time

Switches the analyzer between normal and accuracy sweep states. Provides you the ability to select the rules for the control of sweep time when **Sweep Time** is set to **Auto**. Setting **Auto Sweep Time** to **Accy** will result in slower sweep times, usually about three times as long, but better amplitude accuracy for CW signals. The instrument specifications only apply when **Sweep Time** is set to **Auto**, and **Auto Sweep Time** is set to **Accy**.

Additional amplitude errors occur when **Auto Sweep Time** is set to **Norm** are usually well under 0.1 dB, though they are not guaranteed. Because of the faster sweep times and still low errors, **Norm** is the preferred setting of **Auto Sweep Time**. Also, when the **Auto All** function is performed, **Auto Sweep Time** is set to **Norm**.

Key Path: **Sweep**

Key Notes: Graygrayed out in Zero Span and FFT, but still shows user selected states (Norm or Accy). Goes to Norm on Auto All.

Dependencies/

Couplings: Key is grayed out in Zero Span and FFT, but still shows user selected states (Norm or Accy). Goes to Norm on Auto All.

State Saved: Save

Factory Preset: Norm

Remote Command:

```
[ :SENSe] :SWEep:TIME:AUTO:RULEs NORMal |ACCuracy
```

```
[ :SENSe] :SWEep:TIME:AUTO:RULEs?
```

Example: SWE:TIME:AUTO:RUL ACC

4.8.4 Gate

Turns the gate function on and off. When set On, the LO (local oscillator) sweeps whenever the gate conditions are satisfied by the signal at the **Gate Source** selected under **Gate Setup**. Turning on the **Gate** turns off **Gate View** (described below).

NOTE Some instruments require a hardware upgrade before gating can be used.

Because the LO is gated, the analyzer only sweeps while the gate is enabled. A complete sweep may require several gate events. The analyzer starts sweeping when the gate signal is enabled and stops when it is disabled, then continues sweeping when it is again enabled, etc. until the sweep is complete. So, the actual sweep time may be longer than the displayed time since it assumes that the instrument is sweeping continuously, not stopping and starting in response to the gating signal. In addition, the sweep time can be five times slower than expected because the measurement is using a short gate delay or a short gate length. This slowing is needed because the resulting resolution bandwidth does not allow the required hardware settling time before starting to sweep.

NOTE The enabled/disabled state of the gate appears at the TRIGGER 2 OUT rear panel connector. A TTL high output indicates that the gate function is enabled. This is always true, whether the Gate itself is turned On or Off (except during alignments).

Option 124 is a Video Out connection. The y-axis video out signal is not available when gating is being used.

Key Path: **Sweep**

Dependencies/

Couplings: **Gate** is unavailable/off when:

- **FFT & Sweep** setting is **Manual:FFT**
- **Signal Track on**
- **Marker Count on**

These function are unavailable whenever **Gate** is on:

- **Manual:FFT**
- **Signal Track**

- **Presel Center**
- **Marker Count** (frequency counter function)

State Saved: Saved in instrument state

Factory Preset: Off

Remote Command:

```
[ :SENSe] :SWEep:EGATe [:STATe] OFF|ON|0|1
```

```
[ :SENSe] :SWEep:EGATe [:STATe] ?
```

Example:

Example: SWE:EGAT ON

SWE:EGAT?

4.8.5 Gate Setup

Accesses menu keys that setup various gate parameters.

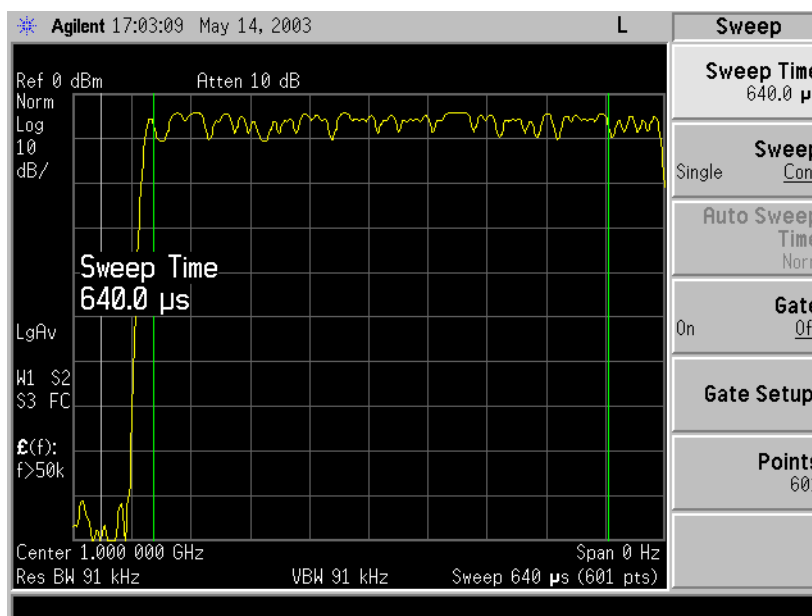
NOTE Some instruments require a hardware upgrade before gating can be used.

Key Path: **Sweep**

4.8.5.1 Gate View

Gate View shows you a display of the gate settings referenced to the signal. The first vertical line is gray. It is the reference location for the gate delay and marks the point where the trigger conditions are met. The green line after that shows the end of the **Delay** period, where the gate is enabled. The second green line shows the end of the gate-enabled period. The time between the two green lines is **Length**.

When the gate view is turned on, the instrument is set to zero span. Gate View is automatically turned off if a span other than zero is selected. Whenever you are in gate view, the display is triggered from the Gate Source. The start of the trace begins a small amount of time before the trigger occurs. (Note that the gate itself is turned off when the gate view is displayed, otherwise you would not be able to see the full signal.) An example of a gate view display is shown below:



You can view the gate lines while you adjust the gate delay and gate length so that the gate is enabled during the desired period, relative to the gate trigger signal.

Key Path: **Sweep, Gate Setup**

State Saved: Saved in instrument state

Remote Command:

```
[ :SENSe] :SWEep:EGATe:VIEW ON|OFF|1|0
```

```
[ :SENSe] :SWEep:EGATe:VIEW?
```

Example: SWE:EGAT:VIEW ON

4.8.5.2 Polarity

Sets the polarity for the gate signal. When Positive (Pos) is selected, a positive-going edge will satisfy the gate condition, after the delay set with the **Delay** key. When Negative (Neg) is selected, a negative-going edge will satisfy the gate condition after the delay.

Key Path: **Sweep, Gate Setup**

State Saved: Saved in instrument state

Factory Preset: Positive

Remote Command:

```
[ :SENSe] :SWEep:EGATe:POLarity NEGative|POSitive
```

```
[ :SENSe] :SWEep:EGATe:POLarity NEGative|POSitive?
```

Example: SWE:EGAT:POL NEG

```
SWE:EGAT:POL?
```

4.8.5.3 Delay

Controls the length of time from the time the gate condition is satisfied until the gate is enabled.

Key Path: **Sweep, Gate Setup**

State Saved: Saved in instrument state

Factory Preset: 57.7 microsecond

Resolution: 100 ns

Range: 0.0 μ s to 100 seconds

Remote Command:

```
[ :SENSe] :SWEep:EGATe:DELay <time>
```

[:SENSe] :SWEep :EGATe :DELay?

Example: SWE:EGAT:DEL 100US
 SWE:EGAT:DEL?

4.8.5.4 Length

Controls the length of time that the gate is enabled.

Key Path: **Sweep, Gate Setup**

State Saved: Saved in instrument state

Factory Preset: 461.6 μ s

Range: 10 μ s to 0.5 s

Remote Command:

[:SENSe] :SWEep :EGATe :LENGth <time>

[:SENSe] :SWEep :EGATe :LENGth?

Example: SWE:EGAT:LENG 1ms
 SWE:EGAT:LENG?

4.8.5.5 Gate Source

Lets you select the input to which the gate signal will be applied.

Key Path: **Sweep, Gate Setup**

State Saved: Save

Factory Preset: Front (external 1 trigger input)

Remote Command:

[:SENSe] :SWEep :EGATe :SOURce EXTernal [1] | EXTernal2 | RFBurst

where Ext1 selects the Front input and Ext2 selects the Rear input.

[:SENSe] :SWEep :EGATe :SOURce?

Example: SWE:EGAT:SOUR EXT2

4.8.5.5.1 Ext Front (Ext Trig In)

Selects the front panel external trigger input connector as the gate source and sets the voltage level at which the gate will trigger. Changes made to the trigger level setting with this key will also change the setting in the **Trig** menu.

NOTE Be careful about selecting trigger level values too far away from the trigger signal's midpoint. If the signal has ringing, it can cause multiple triggers.

Key Path: **Sweep, Gate Setup, Gate Source**

State Saved: Saved in instrument state

Factory Preset: 1.5 V

Range: -5 to +5 V

Remote Command:

See [“Gate Source” on page 246](#)

```
[ :SENSe ] :SWEep:EGATe:EXTernal [1] :LEVel <voltage>
```

```
[ :SENSe ] :SWEep:EGATe:EXTernal [1] :LEVel?
```

Example: SWE:EGAT:SOUR EXT1

```
SWE:EGAT:EXT1:LEV 2.5
```

4.8.5.5.2 Ext Rear (Trigger In)

Selects the rear panel external trigger input connector as the gate source and sets the voltage level at which the gate will trigger. Changes made to the trigger level setting with this key will also change the setting in the **Trig** menu.

This key also defines the voltage level at which the gate will trigger.

NOTE Be careful about selecting trigger level values too far away from the trigger signal's midpoint. If the signal has ringing, it can cause multiple triggers.

Key Path: **Sweep, Gate Setup, Gate Source**

State Saved: Saved in instrument state

Factory Preset: 1.5 V

Range: -5 to +5 V

Remote Command:

See [“Gate Source” on page 246](#)

```
[ :SENSe ] :SWEep:EGATe:EXTernal2:LEVel <voltage>
```

```
[ :SENSe ] :SWEep:EGATe:EXTernal2:LEVel?
```

Example: SWE:EGAT:SOUR EXT2

```
SWE:EGAT:EXT2:LEV 2.5
```

4.8.5.5.3 RF Burst (IF Wideband)

Selects the signal as the gate source and triggers on the RF burst. This is the same trigger function as found under the **Trig** key. See the trigger functions for more information.

Key Path: **Sweep, Gate Setup, Gate Source**

State Saved: Saved in instrument state

Remote Command:

See “[Gate Source](#)” on page 246

Example: `SWE:EGAT:SOUR RFB`

4.8.6 Points

Sets the number of points per sweep, from 101 to 8192 in non-zero span and 2 to 8192 in zero span. Resolution of setting the sweep time will depend on the number of points selected. If **Factory Preset** is selected, or the analyzer power is cycled, the number of points per sweep will default to 601. The current value of points is displayed parenthetically, next to the sweep time in the lower-right corner of the display (refer to “Display Annotation” in your Getting Started guide).

Changing the number of points has several effects on the analyzer. Since markers are read at the point location, the marker reading may change. All trace data for the active trace is cleared. If sweep is set to **Cont** (press **Sweep, Sweep**), a new sweep begins immediately. If average is set to **On** (press **BW/Avg, Average**), the averaging starts over with a count of 0. If limit lines are set to **On** (press **Display, Limits, Modify, Limit 1 or 2**), the limit lines are updated.

NOTE By selecting a number of sweep points greater than 601, you are optimizing frequency resolution and accuracy while accepting a reduced measurement speed. In addition to sweep points, the span, resolution bandwidth, video bandwidth, average detection and center frequency will also affect measurement speed.

This function is coupled with the span setting. Increasing the span can change the number of sweep points. In order to maintain accurate measurements, the number of sweep points is increased if required to keep the width of each sweep point at most 150 MHz.

When zone span is set to **On** (press **Span, Zone. Zone**), each window has its own value for points.

Key Path: **Sweep**

State Saved: Saved in instrument state

Factory Preset: 601

Range: 101 to 8192, 2 to 8192 in zero span

Remote Command:

```
[ :SENSE ] :SWEep:POINts <number of points>
```

```
[ :SENSe ] :SWEep:POINts?
```

Example: SWE:POIN 501

SWE:POIN?

4.9 System

Displays the **System** menu keys to control overall **System** functions. This is also the GPIB “LOCAL” key. Pressing **System** after the analyzer has been placed in the remote GPIB mode returns it to the local mode and enables front-panel control. During GPIB operation, “R” appears in the upper-right corner of the display indicating the instrument is in Remote mode. A “T”, “L,” or “S” may appear during remote operation, indicating Talk, Listen, or Service request. Pressing the **System (Local)** key removes the R symbol in the upper-right corner.

Symbol	Description
R	Remote
T	Talk
L	Listen
S	Service Request

Key Path: Front-panel key

Remote Command:

There is no remote command for this key.

4.9.1 Show Errors

Accesses a display of the last 30 (?) errors reported. The most recent error will appear at the top of the list. The first error listed will be the first error removed if the error list is longer than 30 entries. If the same error message occurs several times the error message will be incremented rather than added to the list as a new error message. If there is more than one of the same type of error, the date and time identify the first time and the last time an error occurred and the number of identical errors is shown.

NOTE A continuous recurring error reappears in the queue even if it had been cleared.

Key Path: **System**

Annunciation/

Annotation: Textual Information Screen

Dependencies/

Couplings: Removes any active functions.

Saved State: Not saved in instrument state.

Factory Preset: Off

Remote Command:

:SYSTem:ERRor [:NEXT] ?

Remote Command Notes: The :SYSTem:ERRor [:NEXT] ? command queries the earliest entry to the error queue and then deletes that entry.

Example: SYST:ERR? returns <error number>,<"error string">, for example -113,"Undefined header".

*CLS clears the entire error queue.

4.9.1.1 Previous Page

Displays the previous page of the Show Errors screen. This key is inactive (grayed out) if there is no previous page.

4.9.1.2 Next Page

Displays the next page of the Show Errors screen. This key is inactive (grayed out) if there is no next page.

4.9.1.3 Clear Error Queue

Clears the front-panel error queue from the **Show Errors** display.

Key Path: **System, Show Errors**

Remote Command:

*CLS

4.9.1.4 Verbose

Adds additional information to the error messages returned by the SYSTem:ERRor? command. It indicates which remote command was executing when the error occurred and what about that command was unacceptable.

Key Path: **System, Show Errors**

State Saved: Not saved in state

Preset: Off. This parameter retains the setting previously selected, even through a power cycle.

Couplings and

Dependencies: The verbose SCPI error debugging state is global to all the SCPI interfaces.

History: Added in version A.06.00

Remote Command:

```
:SYSTem:ERRor:VERBoSe OFF|ON|0|1
```

```
:SYSTem:ERRor:VERBoSe?
```

Remote Command Notes: The SYST:ERR? query returns the following types of information for each error. <error number>,”<error message>;<annotated SCPI command>”

Example: First set SYST:ERR:VERBOSE ON

If the command SENSE:FREQUently:CENTer 942.6MHz is sent, then sending SYST:ERR? returns:

```
-113,"Undefined header;SENSe:FREQUently:<Err>CENTer 942.6MHz $<NL>"
```

The <Err> shown after FREQUently shows you the spelling error. (The \$<NL> is the typical representation for the command terminator.

If the command SENSE:FREQUency:CENTer 942.6Sec is sent, then sending SYST:ERR? returns:

```
-113,"Invalid suffix;SENSe:FREQUency:CENTer 942.6Sec<Err> $<NL>"
```

The <Err> shown after Sec shows you the invalid suffix.

4.9.2 Power On/Preset

Displays keys that enable you to define the instrument power-on state and user preset state.

NOTE If **Power On** is set to **Preset**, and **Preset Type** is set to **Factory**, then turning on the analyzer performs a factory preset. The last state of the analyzer (before it was turned off) is recalled if **Power On** is set to **Last**. The user preset state is recalled if **Power On** is set to **Preset** and **Preset Type** is set to **User**. (However, if there is no user preset state saved, the analyzer performs a factory preset.)

Key Path: System

4.9.2.1 Power On

Enables you to set the state the analyzer will be put in when it is powered on. You can set the state to Last or Preset.

If **Power On** is set to Last, then the instrument returns to the last saved instrument state and all the modes are restored to that last state. The instrument saves its current state internally every 2 minutes. So the last saved state, that is restored at power-on, is the state at power-off or within a maximum of two minutes before power-off.

If **Power On** is set to Preset, the instrument state is determined by the preset type setting prior to turning the power off.

- Preset type Factory powers on in the Spectrum Analysis mode and all modes are set to their factory defaults.
- Preset type Mode powers on with the last mode the analyzer was in when it was powered off and presets that mode to the factory defaults. It also restores all other modes to their factory preset.
- Preset type User powers on with the user defined state, saved when a **Save User Preset** was last performed.

The setting (Last or Preset) of the Power On function is not changed by pressing **Preset**. Use the **Power On/Preset** menu key function to change the setting of the analyzer state that is recalled at power on. Limit lines are not recalled when the analyzer is powered on. Refer to “[Preset](#)” on page 219 for more information.

Key Path: **System, Power On/Preset**

State Saved: Survives **preset** and power cycle, but not saved in Instrument State.

SCPI Status Bits/

OPC Dependencies: None

Remote Command:

```
:SYSTem:PON:TYPE PRESet | LAST
```

```
:SYSTem:PON:TYPE?
```

Example: SYST:PON:TYPE LAST defines the power on type as the last state the analyzer was in before power was turned off.

```
SYST:PON:TYPE?
```

4.9.2.2 Preset Type

Enables you to select what type of preset will be initiated when you press the green **Preset** key or send the remote command, using `SYST:PRES`. Choose between Factory, Mode, or User defined presets.

Key Path: **System, Power On/Preset**

State Saved: Survives **Preset** and power cycle, but is not saved in Instrument State.

SCPI Status Bits/

OPC Dependencies: None

Preset: Does not change the Preset Type.

Factory

Default: Mode

Remote Command:

```
:SYSTem:PRESet:TYPE FACTory|USER|MODE
```

```
:SYSTem:PRESet:TYPE?
```

Remote Command Notes: `SYSTem:PRESet:USER:SAVE` defines the user preset.

Example: `SYST:PRES:TYPE FACT` defines the type of preset as the factory preset.

4.9.2.2.1 User

Sets the preset type to **User**. When you do a preset, the instrument state that you have defined as the user preset setting will be restored. Use the **Save User Preset** key to define your user preset settings. Refer to [“Preset” on page 219](#) for more information. If you have not saved a user state, then the instrument will save the power-up state for you to use as a default user preset state.

Key Path: **System, Power On/Preset, Preset Type**

Readback: User

Annunciation/

Annotation: None

State Saved: Survives **Preset** and power cycle, but no saved in Instrument State.

SCPI Status Bits/

OPC Dependencies: None

Factory

Default: Mode

Remote Command:

See “Preset Type” on page 255.

Example: SYST:PRES[:USER]:SAVE saves the current state to be used as the preset user state.

SYST:PRES:TYPE USER defines the type of preset as the user preset.

With user preset selected, and a user state saved, use SYST:PRES to do a user preset.

4.9.2.2.2 Mode

Sets the preset type to “Mode.” When you do a preset, the current mode factory default instrument state will be restored. A mode preset does not change the mode. Refer to “Preset” on page 219 for more information.

Key Path: **System, Power On/Preset, Preset Type**

Readback: Mode

Annunciation/

Annotation: None

Dependencies/

Couplings: None

State Saved: Survives **Preset** and power cycle, but no saved in Instrument State.

SCPI Status Bits/

OPC Dependencies: None

Factory

Default: Mode

Remote Command:

:SYSTem:PRESet:TYPE See “Preset Type” on page 255.

Example: SYST:PRES:TYPE MODE defines the type of preset as the mode preset.

After you have selected mode as the preset type, use SYST:PRES to do a mode preset.

4.9.2.2.3 Factory

Sets the preset type to “Factory.” When you do a preset, all of the factory default instrument state will be restored. A factory preset switches the analyzer to the Spectrum Analysis mode and resets the settings of all the modes to the factory defaults (i.e. Spectrum Analysis Mode with continuous sweep). Refer to “[Preset](#)” on page 219 for more information.

Key Path: **System, Power On/Preset, Preset Type**

Annunciation/

Annotation: **Factory**

State Saved: Survives **Preset** and power cycle, but not saved in Instrument State.

Factory

Default: **Mode**

Remote Command:

See “[Preset Type](#)” on page 255.

Example: `SYST:PRES:TYPE FACT` defines the type of preset as the factory preset.

With factory preset selected, use `SYST:PRES` to do a factory preset.

4.9.2.3 Save User Preset

Saves the current state of the analyzer into the **User Preset** state register for recall when the instrument Preset Type is set to User and you perform a preset operation. After you save a state here, you must go to the **Preset Type** key and select **User** in order to have this state used as the preset state. Refer to “[Preset](#)” on page 219 key description for the default factory-configuration settings.

Key Path: **System, Power On/Preset**

Preset, if the preset type is set to User. See “[Save User Preset](#)” on page 222

Annunciation/

Annotation: **None**

Dependencies/

Couplings: **None**

SCPI Status Bits/

OPC Dependencies: **None**

Remote Command:

`:SYSTem:PRESet [:USER] :SAVE`

Example: `SYST:PRES:SAVE`

Use `SYST:PRES:TYPE USER` to set factory preset type to “User.”

Then use `SYST:PRES` to do the preset.

4.9.3 Time/Date

Displays the Time/Date function menu keys used to set and display the real-time clock.

Key Path: System

Remote Command:

There is no remote command for this key.

4.9.3.1 Time/Date

Turns the display of the real-time clock on or off.

Key Path: **System, Time/Date**

Annunciation/

Annotation: Current time and date are displayed in the upper-left corner of the screen.

State Saved: Survives **Preset** and power cycle, but not saved in Instrument State.

SCPI Status Bits/

OPC Dependencies: None

Factory

Default: On (Restored by **System, Restore Sys Defaults.**)

Remote Command:

```
:DISPlay:ANNotation:CLOCK[:STATe] ON|OFF
```

```
:DISPlay:ANNotation:CLOCK[:STATe]?
```

Example: `DISP:ANN:CLOC ON`

4.9.3.2 Date Format

Enables you to set the date display to month-day-year or day-month-year. It is set to a month-day-year format when the instrument System Defaults are restored. This key only effects display of date at the top of the screen, not in the file catalog.

Key Path: **System, Time/Date**

State Saved: Survives **Preset** and power cycle, but not saved in Instrument State.

SCPI Status Bits/

OPC Dependencies: None

Factory

Default: MDY (Restored by **System, Restore Sys Defaults.**)

Remote Command:

```
:DISPlay:ANNOtation:CLOCK:DATE:FORMat MDY|DMY
```

```
:DISPlay:ANNOtation:CLOCK:DATE:FORMat?
```

Example: DISP:ANN:CLOC:DATE:FORM DMY

4.9.3.3 Set Time

Enables you to set the time of the real-time clock. Enter the time in 24 hour HHMMSS format.

Key Path: **System, Time/Date**

Dependencies/

Couplings: None

State Saved: Survives **Preset** and power cycle, but not saved in Instrument State.

SCPI Status Bits/

OPC Dependencies: None

Factory

Default: Not affected by “**Restore Sys Defaults.**”

Terminators: Unitless

Default Terminator: None

Range: Hour (HH): 00 to 23.

 Minute (MM): 00 to 59.

 Second (SS): 00 to 59.

Remote Command:

```
:SYSTem:TIME <hour>,<minute>,<second>
```

```
:SYSTem:TIME?
```

Example: SYST:TIME 12,42,00 Sets the clock to 12:42:00 PM.

4.9.3.4 Adjust Time Setting (Remote Command Only)

Adjust the instruments internal time by the value entered.

Key Path: **System, Time/Date**

SCPI Status Bits/

OPC Dependencies: None

Terminators: No units are allowed with the command.

DefaultTerminator seconds

Remote Command:

:SYSTem:TIME:ADJust <seconds>

Example: SYST:TIME:ADJ 3600 will advance the time one hour.

SYST:TIME:ADJ -86400 will back the date up one day, without changing the time of day (minutes or seconds).

4.9.3.5 Set Date

Allows you to set the date of the real-time clock. Enter the date in the YYYYMMDD format.

Key Path: **System, Time/Date**

State Saved: Survives **Preset** and power cycle, but not saved in Instrument State nor restored by **System, Restore Sys Defaults**.

SCPI Status Bits/

OPC Dependencies: None

Factory

Default: Not affected by “**Restore Sys Defaults**.”

Terminators: Unitless

Range: Year (YYYY): 1970 to 2029

Month (MM):01 to 12

Day: 01 to 30 or 31 (depending on the month)

Remote Command:

:SYSTem:DATE <year>, <month>, <day>

:SYSTem:DATE?

Example: SYST:DATE 2000,12,24 Sets the date to December 24, 2000

4.9.4 Alignments

Displays functions that control the automatic alignment of the instrument and load default values for the alignment system.

NOTE Most CALibration commands execute in the background, permitting other SCPI commands to be processed concurrently. If a measurement command is sent right after a CALibration command, there can be interaction between background alignments and the measurement. The *WAI command should be issued after any CALibration command and before the measurement command. Note that sending the query form of a CAL? command will automatically hold off any following commands until the query value is returned.

Bit 0 (CALibration) must be set to 1 in the STATus:OPERation:ENABLE register to ensure that the *WAI command waits for calibration to complete. This is the factory preset and *RST setting.

Key Path: System

Remote Command:

There is no remote command for this key.

4.9.4.1 Auto Align

Allows you to turn the instrument automatic alignment **On** or **Off**, or select **Alert** to be alerted that alignments are needed.

- **Off**, the instrument won't initiate any* visible alignments or alerts.
- **All**, turns on the automatic alignment of all measurement systems. When **Auto Align, All** is selected, "AA" appears along the left edge of the display.
- **Alert**, a 3 degree (Celsius) temperature change or a time span of 24 hours since the last successful Full alignment (e.g., Align All Now) will trigger an alert that alignments need to be done, but no alignments will be performed without user input. When **Auto Align Alert** is selected "AL" appears along the left edge of the display.
- **All but RF**, turns on the automatic alignment of all measurement systems except the RF section. (Eliminating automatic alignment of the RF prevents changes in the input impedance between sweeps, which could cause input device instability.) When **Auto Align, All but RF** is selected, "AB" appears along the left edge of the display.

- **On**, the instrument behaves like the **Alert**, but will automatically perform a full alignment when it is needed. In addition, every 15 minutes passing or 1.5 degrees temperature change will cause just the RF system gain to be aligned, to achieve the best absolute amplitude accuracy. For either alignment, the instrument will stop any measurement currently in process, perform the full alignment, then restart the measurement from the beginning (similar to pressing **Restart**). If any alignment FAILs or is ABORTed by the user (eg ESCape key), the instrument will wait 5 minutes before retrying the necessary alignment. This helps to avoid infinite recursive loops of alignment behavior in the event of broken hardware. Also see [“Align All Now” on page 262](#).

There are 2 very quick alignments, invisible to the user, that are done every few minutes or when certain settings are changed. These still occur, even if AutoAlign is set to Off. These alignments are the Current SysGain and Current IF Flatness methods which can also be forced to occur by user under the Align Subsys menu.

Key Path: **System, Alignments**

State Saved: Survives **Preset** and power cycle, but not saved in Instrument State.

Factory Preset: Not affected by **Preset**.

Factory

Default: On (Restored by System, Restore Sys Defaults.)

Remote Command:

```
:CALibration:AUTO OFF|ON|ALERT
```

```
:CALibration:AUTO?
```

Example: CAL:AUTO ON

4.9.4.2 Align All Now

Immediately executes an alignment cycle of all the subsystems (**Align RF**, **Align IF**, **Align ADC**, and **Align Current Sys Gain**). The instrument will stop any measurement currently underway, perform the full alignment, then restart the measurement from the beginning (similar to pressing the **Restart** key). All other operations are stopped and the alignments will be visible on the display.

Key Path: System, Alignments

Remote Command:

```
:CALibration[:ALL] Performs a full alignment.
```

The following three commands perform a full alignment and return a number indicating the success of the alignment. A zero is returned if the alignment is successful. A one is returned if any part of the alignment fails.

```
:CALibration[:ALL]?
```

*CAL?

*TST?

Example: CAL? The query performs a full alignment and returns a number indicating the success of the alignment. A zero is returned if the alignment is successful.

4.9.4.3 Frequency Corrections (Remote Command Only]

Turns the internal frequency corrections on/off.

Saved State: Not saved in instrument state

Factory Preset: On

Factory

Default: On

Remote Command:

```
:CALibration:FREQuency[:STATe] OFF|ON|0|1
```

```
:CALibration:FREQuency[:STATe]?
```

Example: CAL:FREQ OFF

4.9.4.4 Align Subsys

Accesses the keys to immediately execute an alignment of one of the subsystems (**Align RF**, **Align IF**, **Align ADC**, and **Align Current Sys Gain**). When one of the subsystem alignments is started all other operations are stopped and any alignment messages will be visible on the display.

Key Path: System, Alignments

Remote Command:

There is no remote command for this key.

4.9.4.4.1 Align RF

Initiates an alignment on the RF assembly.

Key Path: **System, Alignments, Align Subsys**

Annunciation/

Annotation: Will display a series of pop-up message boxes, indicating an alignment is in progress.

If a signal is present which interferes with the alignment a message Align RF 50 MHz signal detected. will be displayed.

SCPI Status Bits/

OPC Dependencies: Status questionable calibration. Bits 3, 11, or 12 will be set if Align RF fails

Remote Command:

:CALibration:RF

:CALibration:RF?

Remote Command Notes: The query performs the alignment and returns a zero if the alignment is successful.

Example: CAL:RF?

4.9.4.4.2 Align IF

Initiates an alignment on the IF assembly.

Key Path: **System, Alignments, Align Subsys**

Annunciation/

Annotation: Will display a series of pop-up message boxes indicating alignment progress.

SCPI Status Bits/

OPC Dependencies: Status questionable calibration Bit 4 will be set if Align RF fails.

Remote Command:

:CALibration:IF

:CALibration:IF?

Remote Command Notes: The query performs the alignment and returns a zero if the alignment is successful.

Example: CAL:IF?

4.9.4.4.3 Align ADC

Initiates an alignment on the ADC circuitry.

Key Path: **System, Alignments, Align Subsys**

Annunciation/

Annotation: Message boxes indicating alignment of ADC progress.

SCPI Status Bits/

OPC Dependencies: Status questionable calibration Bit 6 will be set if Align ADC fails.

Remote Command:

:CALibration:ADC

:CALibration:ADC?

Remote Command Notes: The query performs the alignment and returns a zero if the alignment is successful.

Example: CAL:ADC?

4.9.4.4.4 Align Current IF Flatness

Initiates an alignment of the current IF flatness, for the purpose of improving absolute amplitude within FFT Sweeps and improving group delay in some digital demodulation measurements.

Key Path: **System, Alignments, Align Subsys**

Annunciation/

Annotation: Will display a series of pop-up message boxes explaining what is being aligned (a subset of the Align All Now message boxes).

Remote Command:

:CALibration:FLATness:IF

:CALibration:FLATness:IF?

Remote Command Notes: The query performs the alignment and returns a zero if the alignment is successful.

Example: CAL:FLAT:IF?

4.9.4.4.5 Align Current SysGain

Initiates a fine-tuning adjustment of the system gain, primarily to correct for small amplitude variations that occur as resolution BW is switched.

Key Path: **System, Alignments, Align Subsys**

Annunciation/

Annotation: Will display a series of pop-up message boxes explaining what is being aligned (a subset of the Align All Now message boxes).

Remote Command:`:CALibration:GAIN:CSYSTEM``:CALibration:GAIN:CSYSTEM?`

Remote Command Notes: The query performs the alignment and returns a zero if the alignment is successful.

Example: `CAL:GAIN:CSYS?`

4.9.4.5 Restore Align Defaults

Loads the default values for the alignment system, turns on the frequency corrections, and resets the timebase to the factory values. **Align All Now** must be executed 3 times after pressing **Restore Align Defaults** to meet specifications.

Key Path: **System, Alignments**

Annunciation/

Annotation: System Alignments, Align Now All required.

Dependencies/

Couplings: None

SCPI Status Bits/

OPC Dependencies: Status questionable calibration Bit 14 will be set.

Remote Command:`:CALibration:DATA:DEFault`

Example: `CAL:DATA:DEF`

4.9.4.6 Select Time Corrections (Remote Command Only)

Controls time corrections used to compensate for the complex (magnitude and phase) response of the analog and digital IF hardware. When only scalar (magnitude) FFT flatness is required, time corrections take more CPU cycles and so are less efficient than frequency corrections. For demod or other time-based (not FFT) measurements, only time corrections can improve the flatness that results from imperfect IF hardware. When the time correction functionality is set to Auto (the default), the individual measurements activate the corrections when they are needed.

NOTE Turning time corrections on or off effects all measurements. Time corrections should be left in Auto unless you have specific reasons for forcing them on or off.

Always return time corrections to Auto.

Factory Preset: Auto

Remote Command:

:CALibration:TCORrections AUTO|ON|OFF

Example: CAL:TCOR OFF

4.9.5 Config I/O

Displays the keys and menus that enable you to identify and change the current GPIB address and LAN settings.

Key Path: System

Remote Command:

There is no remote command for this key.

4.9.5.1 GPIB Address

Shows the current GPIB address and allows you to change this value using the numeric keyboard. The new value is displayed in the active function area. The GPIB port is always active. The knob and step keys are not active for this function.

Key Path: **System, Config I/O**

State Saved: Survives **Preset** and power cycle, but not saved in Instrument State.

SCPI Status Bits/

OPC Dependencies: None

Factory

Default: 18 (Reset by **System, Restore Sys Defaults.**)

Terminators: Enter

Default Terminator: None

Resolution/Rounding/

Truncation: Integer

Knob Increment: 1

Step Key

Increment: 1

Range: 0 to 30

Remote Command:

```
:SYSTem:COMMunicate:GPIB[:SELF]:ADDRess <integer>
```

```
:SYSTem:COMMunicate:GPIB[:SELF]:ADDRess?
```

Example: SYST:COMM:GPIB:ADDR 20

4.9.5.2 IP Address

Allows you to set the IP (internet protocol) address, domain name and node (host) name for the instrument. The IP address of the instrument can be changed by entering a numeric address composed of numbers and decimal points. Press **ENTER** to complete the entry.

Key Path: **System, Config I/O**

State Saved: Survives **Preset** and power cycle, but not saved in Instrument State.

Factory

Default: 199.199.199.199 (Not reset by **System, Restore Sys Defaults.**)

Remote Command:

:SYSTem:COMMunicate:LAN[:SELF]:IP <string>

:SYSTem:COMMunicate:LAN[:SELF]:IP?

Example: SYST:COMM:LAN:IP "150.222.50.52 mypsa"

Sets the IP address to 150.222.50.52 and sets the host name to mypsa.

4.9.5.3 Host Name

Displays the host name of the instrument. Pressing the key activates the alpha editor, which enables you to change the host name. (Press **ENTER** to complete the entry.)

NOTE This will not change your LAN system representation of the host name. You must work through your local system administrator to change the host name. Changing it in the instrument only changes the displayed information, it will not enable LAN access with the new name.

Key Path: **System, Config I/O**

State Saved: Survives **Preset** and power cycle, but not saved in Instrument State.

Factory

Default: mypsa (Not reset by **System, Restore Sys Defaults.**)

Remote Command:

See above command :SYSTem:COMMunicate:LAN[:SELF]:IP <string>

Example: SYST:COMM:LAN:IP "150.222.50.52 mypsa"

Sets the IP address to 150.222.50.52 and sets the host name to mypsa.

4.9.5.4 Host ID (Remote Command Only)

Enables you to query the host ID remotely. The current value of the host ID can be viewed on the display by pressing **System, Show System**.

SCPI Status Bits/

OPC Dependencies: None

Factory

Default: Value is unique to your instrument (Not reset by **System, Restore Sys Defaults.**)

Remote Command:

:SYSTem:HID?

Remote Command Notes: The host ID cannot be set remotely, it can only be queried.

Example: SYST:HID?

4.9.5.5 Subnet Mask

Changes the subnet mask of the instrument. The subnet mask is a 32-bit address mask used in IP networks to indicate the bits of an IP address that are used for the subnet address. The default address is 255.255.0.0 for a class B network

Key Path: **System, Config I/O**

State Saved: Survives **Preset** and power cycle, but not saved in Instrument State.

Factory

Default: 255.255.0.0 (Not reset by **System, Restore Sys Defaults.**)

History: Added with firmware revision A.03.00.

Remote Command:

There is no equivalent remote command.

4.9.5.6 Gateway Address

Allows you to set the gateway address. The gateway address feature is used to manipulate the gateway used to reach the destination. The gateway address can be changed by entering a numeric address composed of numbers and decimal points. Press **ENTER** to complete the entry.

Key Path: **System, Config I/O**

State Saved: Survives **Preset** and power cycle, but not saved in Instrument State.

Factory

Default: 0.0.0.0 (Not reset by **System, Restore Sys Defaults.**)

History: Added with firmware revision A.03.00.

Remote Command:

There is no remote command for this key.

4.9.5.7 SCPI LAN

Displays keys to enable SCPI functionality over LAN. There are a number of different ways to send SCPI remote commands to the instrument over the LAN. It can be a problem to have multiple users simultaneously accessing the instrument over the LAN. These keys allow you to limit that somewhat by disabling the telnet socket and/or SICL capability.

Key Path: System, Config I/O

Remote Command:

There is no remote command for this key.

4.9.5.7.1 SCPI Telnet

Turns on/off the SCPI LAN telnet capability allowing you to limit SCPI access over LAN via telnet.

Key Path: System, SCPI Lan

State Saved: Survives **Preset** and power cycle, but not saved in Instrument State.

SCPI Status Bits/

OPC Dependencies: None

Factory

Default: On (Reset by System, Restore Sys Defaults.)

Remote Command:

```
:SYSTem:COMMunicate:LAN:SCPI:TELNet:ENABle OFF|ON|0|1
```

```
:SYSTem:COMMunicate:LAN:SCPI:TELNet:ENABle?
```

Example: SYST:COMM:LAN:SCPI:TELN:ENAB ON

4.9.5.7.2 SCPI Socket

Turns on/off the capability of establishing Socket LAN sessions. This allows you to limit SCPI access over LAN via socket sessions.

Key Path: System, SCPI Lan

State Saved: Survives **Preset** and power cycle, but not saved in Instrument State.

SCPI Status Bits/

OPC Dependencies: None

Factory

Default: On (Reset by System, Restore Sys Defaults.)

Remote Command:

:SYSTem:COMMunicate:LAN:SCPI:SOCKet:ENABle OFF|ON|0|1

:SYSTem:COMMunicate:LAN:SCPI:SOCKet:ENABle?

Example: SYST:COMM:LAN:SCPI:SOCK:ENAB ON

4.9.5.7.3 SICL Server

Turns on/off the SICL server capability, enabling you to limit SCPI access over LAN via the SICL server. (SICL IEEE 488.2 protocol.)

Table 4-1 SCPI Default Settings

Parameter	Description	Setting
Maximum Connections	The maximum number of connections that can be accessed simultaneously	5
Instrument Name	The name (same as the remote SICL address) of your analyzer	inst0
Instrument Logical Unit	The unique integer assigned to your analyzer when using SICL LAN	8
Emulated GPIB Name	The name (same as the remote SICL address) of the device used when communicating with your analyzer	gpib7
Emulated GPIB Logical Unit	The unique integer assigned to your device when it is being controlled using SICL LAN	8
Emulated GPIB Address	The emulated GPIB address assigned to your transmitter tester when it is a SICL server (the same as your GPIB address)	18

Key Path: **System, SCPI Lan**

State Saved: Survives **Preset** and power cycle, but not saved in Instrument State.

SCPI Status Bits/

OPC Dependencies: None

Factory

Default: On (Reset by System, Restore Sys Defaults.)

Remote Command:

:SYSTem:COMMunicate:LAN:SCPI:SICL:ENABle OFF|ON|0|1

:SYSTem:COMMunicate:LAN:SCPI:SICL:ENABle?

Example: SYST:COMM:LAN:SCPI:SICL:ENAB ON

4.9.6 Reference

Displays functions that control the external frequency reference.

Key Path: System

Remote Command:

There is no remote command for this key.

4.9.6.1 Freq Ref

Specifies the frequency reference as being internal or external. If the frequency reference is specified as internal, the frequency of the reference is automatically identified as being 10 MHz. If the frequency reference is specified as external, you must enter the frequency of the external reference being used. If External Reference is selected, **Ext Ref** will appear on the right side of the display.

The frequency of an external frequency reference is not automatically detected. If an external frequency source is selected, the frequency of the source must be entered.

If Ext is selected, and you press **Freq Ref**, Ext will remain selected and the Ext reference frequency will become the active function. If **Freq Ref** is pressed again, Int will become selected (at 10 MHz). The Ext reference frequency is remembered and will be used again if Ext is selected.

If the external reference is missing or out of range, or the frequency reference is unlocked, the message “External reference missing or out of range”, will appear on the display.

Key Path: **System, Reference**

State Saved: Not Saved in Instrument State. Neither the external reference frequency nor the state of this function (Int or Ext) are affected by factory preset or power cycle. Reset to the factory default (Int, 10 MHz) by pressing **System, Restore Sys Defaults**.

Default: Internal, 10 MHz

Range: 1 MHz to 30 MHz

Remote Command:

```
[[:SENSe]:ROSCillator:SOURce INTERNAL|EXTernal
[:SENSe]:ROSCillator:SOURce?
[:SENSe]:ROSCillator:EXTernal:FREQuency <value>
[:SENSe]:ROSCillator:EXTernal:FREQuency?
```

Example: Before switching to the external reference source, specify the frequency of the external reference that you plan to use.

ROSC:EXT:FREQ 20 MHz sets the external reference frequency to 20 MHz, but does not select the external reference.

ROSC:SOUR EXT selects the external reference.

4.9.6.2 10 MHz Out

Switches the 10 MHz out signal on the rear panel of the analyzer on or off.

Key Path: System, Reference

State Saved: Not Saved in Instrument State. Not affected by factory preset or power cycle. Reset to the factory default (Off, 10 MHz) by pressing **System, Restore Sys Defaults**.

Remote Command:

```
[[:SENSe]:ROSCillator:OUTPut[:STATe] OFF|ON|0|1
[:SENSe]:ROSCillator:OUTPut[:STATe]?
```

Example: ROSC:OUTP ON

4.9.7 Show System

Displays the number and description of the options installed in your instrument. It also displays the instrument model number, product number, serial number, ethernet address, host ID, firmware revision, revision date, options, and system statistics.

Key Path: System

Annunciation/

Annotation: Text Screen

Dependencies/

Couplings: Active function is disabled.

SCPI Status Bits/

OPC Dependencies: None

Factory Preset: Off

Remote Command:

*IDN? Returns four fields separated by commas:

- Manufacturer
- Model
- Serial number
- Firmware version

Example of returned string: Agilent Technologies,E4440A,US00000123,A.01.01

:SYSTem:OPTions?

*OPT?

Returns a string of all the installed instrument options. It is a comma separated list such as: "BAC,BAH,226" (includes quotes).

Example: *IDN?

 *OPT?

4.9.8 Show Hdwr

Gives detailed information about the hardware installed on your instrument.

Key Path: **System**

Annunciation/

Annotation: Text screen

Dependencies/

Couplings: Active function is disabled

SCPI Status Bits/

OPC Dependencies: None

Factory Preset: Off

Remote Command:

:SYSTem:CONFIgure:HARDware OFF|ON|0|1

Example: SYST:CONF:HARD OFF

4.9.9 Color Palette

Displays the Color Palette menu keys that set the display screen attributes.

Key Path: **System**

SCPI Status Bits/

OPC Dependencies: None

State Saved: Not saved in Instrument State, survives **Preset**, and power cycle.

Preset: Not affected by **Preset**.

Factory

Default: Default

Remote Command:

There is no remote command for this key.

4.9.9.1 Default

Selects the factory default color palette.

Dependencies/

Couplings: None

Key Path: **System, Color Palette**

SCPI Status Bits/

OPC Dependencies: None

4.9.9.2 Vision Impair 1

Selects a special color scheme to accommodate color-deficient vision problems.

Key Path: **System, Color Palette**

SCPI Status Bits/

OPC Dependencies: None

Dependencies/

Couplings: None

Remote Command:

There is no remote command for this key.

4.9.9.3 Vision Impair 2

Selects a special color scheme to accommodate color-deficient vision problems.

Key Path: **System, Color Palette**

Dependencies/
Couplings: None

SCPI Status Bits/
OPC Dependencies: None

Remote Command:

There is no remote command for this key.

4.9.9.4 Optical Filter

Selects a special color scheme to accommodate protective goggles while viewing lasers.

Key Path: **System, Color Palette**

Dependencies/
Couplings: None

SCPI Status Bits/
OPC Dependencies: None

Remote Command:

There is no remote command for this key.

4.9.9.5 Monochrome

Sets the color palette to single-color mode. The monochrome display uses different shades of green for each green value. This is especially useful for driving external monochrome monitors.

Key Path: **System, Color Palette**

Dependencies/
Couplings: None

SCPI Status Bits/
OPC Dependencies: None

Remote Command:

There is no remote command for this key.

4.9.10 Diagnostics

Access front-panel diagnostic functions.

Key Path: **System**

Remote Command:

There is no remote command for this key.

4.9.10.1 Front Panel Test

Used to test the front-panel keys. It shows a list of all the front-panel keys with counter numbers indicating the number times the key is pressed. Press the **ESC** key to exit the test mode and return to the menu.

Key Path: **System, Diagnostics**

Annunciation/

Annotation: Text Screen

Dependencies/

Couplings: The active function is disabled.

Factory Preset: Off

4.9.11 Restore Sys Defaults

Resets the system settings, including most “persistent” functions, to their factory defaults. It also does a Factory Preset that resets the analyzer to the Spectrum Analysis Mode. It does *not* reset user data such as saved instrument states.

Persistent functions are things such as the GPIB address, time/date display style, and auto-alignment state. These are parameters that are unaffected by a power cycle or an instrument preset.

Table 4-2 System Default Settings

Feature	Default Setting	Restored?
Automatic Alignment On/Alert/Off	On	yes
Power On Last/Preset	Preset	yes
Preset Type Factory/User/Mode	Mode	yes
External Amplifier Gain	0 dBm	yes
Input Impedance	50 Ohm	yes
GPIB Address	18	yes
IP address	10.10.10.10	no
Host Name	mypsa	no
Subnet Mask	255.255.0.0	no
SCPI Telnet Port 5023	On	yes
SCPI Socket Port 5025	On	yes
SICL Server	On	yes
Instrument Color Palette	Default palette	yes
Printer Setup, Language	PCL3	yes
Printer Setup, Color Capability	No	yes
Print Orientation	Portrait	yes
Color Printing	Off	yes
Prints/ Page	1	yes
Date Format	MDY	yes
Time Date Display	On	yes
Verbose (error messages)	Off	yes
Display Viewing Angle	4	yes
Manual Tracking Adjustment	2048	yes
Page Size	Letter	yes
Printer Selection	Auto	yes

Key Path: System

Remote Command:

:SYSTem:PRESet:PERSistent

Example: SYST:PRES:PERS

4.9.12 Licensing

Accesses the security system to enable licensing for individual options. You can install a measurement mode personality options in an instrument at any time. After you load the personality mode into memory, you must enter a license key to allow access to the option.

For information on how to use this system, see the installation information for individual options in the measurement personalities' user's guides.

NOTE Not all options can be enabled using this system and there is no way to turn *off* an option through this system. Once an option has been licensed for a given analyzer, it cannot be transferred to a different analyzer.

Key Path: System

Remote Command:

There is no remote command for this key.

4.9.12.1 Option

Activates the alpha editor enabling you to enter the designation for the option to be installed. An option is a three character string that specifies the option or application that is to be installed, as found in the catalog. To terminate the entry, press **Enter** or **Return**. An external keyboard may also be used for this entry. The option number will appear on the second line of the **Option** key.

Key Path: **System, Licensing**

State Saved: Not saved in instrument state.

SCPI Status Bits/

OPC Dependencies: None

Remote Command:

See [“License Key” on page 281](#)

Example: SYST:LKEY "B78", "B62A35B37679"
SYST:LKEY? "B78"

4.9.12.2 License Key

Activates the alpha editor to allow you to enter the license key number for the option to be installed. The license key number is a hexadecimal number that will require entry of both letters and numbers. Use the front-panel numeric keyboard to enter numerical values. You will see your entry in the active function area. A license key is a 12-character hexadecimal string given with the option. The license key is unique to a specific option installed and instrument host ID. To terminate the entry, press **Enter** or **Return**. An external keyboard may also be used for this entry. The license key number will appear on the second line of

the **License Key** menu key.

Key Path: **System, Licensing**

Dependencies/

Couplings: None

State Saved: Not saved in instrument state.

SCPI Status Bits/

OPC Dependencies: None

Factory Preset: Clears the current value.

Remote Command:

```
:SYSTem:LKEY <"option">, <"license key">
```

```
:SYSTem:LKEY? <"option">
```

Remote Command Notes: The query returns a string that contains the license key for a specified application or option that is already installed in the instrument. The license key will also be returned if the application is not currently in memory, but had been installed at some previous time. The license key is unique to a specific option, host ID and serial number. Host ID can be returned by :SYSTem:HID?.

Example: SYST:LKEY "B78", "B62A35B37679"

```
SYST:LKEY? "B78"
```

The query would return "B62A35B37679"

If the instrument does not have a license key for that option, the query would return "".

4.9.12.3 Activate License

Activates the specified option. When a valid option key number and license key number have been entered, press **Activate**. If your entry was correct, the option will be enabled and the message: `Option activated` will appear in the status line of your display. The option number and license key number will also be cleared from the **License Key** and **Option** key.

If your entry was incorrect, the error message: `License key invalid` will appear in the status line of your display. The option number and license key number can be edited until they are correct.

NOTE It is possible to enable an option for which the analyzer is not yet configured. Therefore, the message `Option activated` does not mean that the option will immediately function. For a display of options that are enabled and for which the analyzer is properly configured, press **System, More, Show System**.

Key Path: **System, Licensing**

Remote Command:

There is no remote command for this key.

4.9.12.4 Delete License

Deletes the license key from memory, however, the option firmware is not deleted.

Key Path: **System, Licensing**

Remote Command:

```
:SYSTem:LKEY:DELeTe <'application option'>,<'license key'>
```

Example: SYST:LKEY:DEL "BAC"

4.9.12.5 Show License

Displays the number and description of the licenses installed in your instrument.

Key Path: **System, Licensing**

Annunciation/

Annotation: Text Screen

Dependencies/

Couplings: The active function is disabled.

Remote Command:

There is no remote command for this function.

4.9.12.6 Install an Application Mode (Remote command only)

Installs the specified application from an external drive to the instrument. Each application allows you to make a specific set of measurements easily and accurately. Installation requires a 12-character license key that you received with your application. The license key number is unique to the option and instrument serial number. If it cannot be located, contact your local Agilent Technologies and service office to re-obtain the information. (Have the instrument model number, host ID, serial number available.)

Remote Command:

See also *OPT?

Example: *OPT? returns a string with all the application options currently installed in the instrument (e.g. "B7J,202,204,BAC").

4.9.13 Personality

Pressing **Personality** displays information about the personalities installed and their license status, as shown in the following illustration.

Option	Name	Version	Licensed	Size
	Power Suite Utilities	XA.04.00 Rev12	no	4610756
STD	BASIC	A.02.00rev05	std	2174840
BAC	cdmaOne	A.02.00rev05	yes	4091109
BAF	WCDMA	A.02.00rev05	yes	7945141
B78	CDMA2K	A.02.00rev05	yes	7558426
202	GSM w/EDGE	A.02.00rev05	yes	5486709
BAE	NADC	A.02.00rev05	yes	3350528
BAE	PDC	A.02.00rev05	yes	3465860

Key Path: **System**

Annunciation/

Annotation: Text Screen

Dependencies/

Couplings: The active function is disabled.

SCPI Status Bits/

OPC Dependencies: None

Factory Preset: Off

4.9.14 Service

These functions are used only for servicing the analyzer. A password is required to access them. Refer to the Service Guide for more information.

Key Path: **System**

4.9.15 Keyboard Lock (Remote Command Only)

Disables the instrument keyboard to prevent local input when instrument is controlled remotely. An annunciator reading “Klock” alerts the local user that the keyboard is locked. Or you can display a system message using SYSTem:MESSAge.

History: Added with firmware revision A.03.00

Remote Command:

:SYSTem:KLOCK?

Example: SYST:KLOCK?

4.9.16 Remote Message

Enables remote user to send message that will appear in the Status Bar at bottom of the instrument display. New message will overwrite any previous message. Message will remain until removed by use of :SYSTem:MESSAge:OFF.

Example: :SYSTem:MESSAge "Instrument currently in use remotely by
Ted in R+D"

Remarks: Message appears as green text against a black background to differentiate it from internally generated messages which appear as white text against a black background.

The SYSTem:KLOCK command will lock out the front-panel keys.

History: Added with firmware revision A.03.00

Remote Command:

:SYSTem:MESSAge <string>

Example: :SYSTem:MESSAge "Instrument currently in use remotely by
Tom"

4.9.17 Remote Message Turned Off

Removes any system message from the Status Bar at the bottom of the instrument display. A message can be displayed using the `:SYSTEM:MESSAge` command.

History: Added with firmware revision A.03.00

Remote Command:

`:SYSTEM:MESSAge:OFF`

Example: `SYST:MESS:OFF`

4.9.18 Power On Elapsed Time (Remote Command Only)

Returns the number of seconds that have elapsed since the instrument was turned on for the very first time.

Remote Command:

`:SYSTEM:PON:ETIMe?`

Example: `SYST:PON:ETIM?`

4.9.19 SCPI Version Query (Remote Command Only)

Returns the SCPI version number with which the instrument complies. The SCPI industry standard changes regularly. This command indicates the version used when creating the instrument SCPI commands.

Remote Command:

`:SYSTEM:VERSion?`

Example: `SYST:VERS?`

4.10 Trace/View

Displays menu keys that enable you to set how trace information is stored and displayed. Each trace is comprised of a series of data points in which x and y axis information is stored. The analyzer updates the information for the active trace with each sweep.

NOTE If you have selected **ACP**, **Burst Power**, **Channel Power**, **Harmonic Distortion**, **Multi-Carrier Power**, **Power Stat CCDF**, or **Spectrum Emission Mask** in the **MEASURE** menu, refer to the **Trace/View** sections specific to those measurements in Volume 2, *One-Button Measurements User's and Programmer's Reference*.

Key Path: Front-panel key

Factory Default: Trace 1: Clear Write

Trace 2: Blank

Trace 3: Blank

Remote Command:

```
:TRACe [1] | 2 | 3 :MODE WRITe | MAXHold | MINHold | VIEW | BLANk
```

WRITe = **Clear Write**

MAXHold = **Max Hold**

MINHold = **Min Hold**

VIEW = **View**

BLANk = **Blank**

```
:TRACe [1] | 2 | 3 :MODE?
```

Example:

```
TRAC:MODE WRIT
TRAC:MODE MAXH
TRAC:MODE MINH
TRAC:MODE VIEW
TRAC:MODE BLANk
TRAC:MODE?
```

4.10.1 Send/Query Trace Data (Remote Command Only)

This command allows trace data to be sent to the analyzer or queried from the analyzer. The response to the query is a list of the amplitude points which comprise the requested trace in the current Y-axis unit of the analyzer. The X-axis unit is that of the destination trace for send and the source trace for the query.

The number of trace points sent or returned is set by
[:SENSE] :SWE:POIN (from 101 to 8192).

Factory Preset: Real,32 for Spectrum Analysis mode

History: Changed with firmware revision A.08.00.

Remote Command:

```
:TRACe[:DATA] TRACE1 | TRACE2 | TRACE3 | TRACE4 | TRACE5 |  
TRACE6, <definite_length_block> |  
<comma_separated_ASCII_data>
```

```
:TRACe[:DATA]? TRACE1 | TRACE2 | TRACE3 | TRACE4 | TRACE5 |  
TRACE6
```

Remote Command Notes: The data format set by FORMat:DATA and FORMat:BORDER is used both for sending data to the instrument and receiving data from the instrument.

The FORMat:DATA command describes the different types of data formats that can be used with trace data. See [“Format Numeric Data \(Remote Command Only\)” on page 147](#).

Use the FORMat:BORDER command to set the byte order. See [“Set Data Byte Order \(Remote Command Only\)” on page 147](#).

Commands :MMEM:STOR:TRAC and :MMEM:LOAD:TRAC are used to transfer trace data to/from the internal hard drive or floppy drive of the instrument. See [“Save Now” on page 127](#) and [“Load Now” on page 134](#).)

When sending data to the instrument, the data block must contain exactly the number of points currently specified in **Sweep, Points** or the error “Invalid list data” will be generated and there will be no change to the target trace.

No units terminator (eg, dB or V) is used when sending data; the data is taken as being in the current Y-axis unit of the analyzer.

When a trace is sent to the instrument, it immediately

overwrites all of the data in the target trace, even if that trace is in View, or if it is active and in the middle of a sweep.

NOTE Do NOT send a trace to the instrument or query trace data until Average or Max/Min Hold operations have been completed or data will be misrepresented. It is generally advisable to be in **Single Sweep, View** or **Blank** when sending trace data to the analyzer or querying trace data from the analyzer.

If in the middle of a set of **Average** or **Max/Min Hold** operations, it can totally mess up the result, so caution should be exercised by the user. Similarly, when querying trace data, it is best if the analyzer is not sweeping during the query. Therefore, it is generally advisable to be in **Single Sweep, View** or **Blank** when sending trace data to the analyzer or querying trace data from the analyzer.

Example: TRAC TRACE1, -1, -2, -3, -4, -5 sends five points to trace 1. Assuming that FORMat :DATA is set to ASCII, Y-axis unit is set to dBm, and **Sweep, Points** is set to 5, this will result in trace 1 consisting of the five points: -1 dBm, -2 dBm, -3 dBm, -4 dBm, and -5 dBm.

TRAC? TRACE2 queries the analyzer for the contents of trace 2.

4.10.2 Trace

Determines which trace the menu keys will affect. Press **Trace** until the number of the desired trace is underlined.

Key Path: **Trace/View**

State Saved: Saved in Instrument State for all traces

Factory Preset: Trace 1 is active

Factory

Default: Trace 1 is active

History: Added with firmware revision A.02.00

Remote Command:

There is no remote command for this function.

4.10.3 Clear Write

Erases any data previously stored in the selected trace and continuously displays signals during the sweep of the analyzer.

Key Path: **Trace/View**

Remote Command:

See “[Trace/View](#)” on page 287.

Example: `TRAC:MODE WRIT`

4.10.4 Max Hold

Maintains the maximum level for each trace point of the selected trace (1, 2 or 3), and updates each trace point if a new maximum level is detected in successive sweeps.

NOTE Pressing **Restart**, changing the vertical scale (**Amplitude, Scale Type, Log or Lin**) or turning averaging on (**BW/Avg, Average (On)**) restarts the held trace.

Key Path: **Trace/View**

Remote Command:

See “[Trace/View](#)” on page 287.

Example: `TRAC:MODE MAXH`

4.10.5 Min Hold

Maintains the minimum level for each trace point of the selected trace (1, 2 or 3), and updates each trace point if a new minimum level is detected in successive sweeps.

NOTE Pressing **Restart**, changing the vertical scale (**Amplitude, Scale Type, Log or Lin**) or turning averaging on (**BW/Avg, Average (On)**) restarts the held trace.

Key Path: **Trace/View**

History: Added with firmware revision A.02.00

Remote Command:

See [“Trace/View” on page 287](#).

Example: TRAC:MODE MINH

4.10.6 View

Holds and displays the amplitude data of the selected trace. The trace is not updated as the analyzer sweeps.

Key Path: **Trace/View, Trace**

History: Added with firmware revision A.02.00

Remote Command:

See [“Trace/View” on page 287](#).

Example: TRAC:MODE VIEW

4.10.7 Blank

Stores the amplitude data for the selected trace and removes it from the display. The selected trace register will not be updated as the analyzer sweeps.

Key Path: **Trace/View**

History: Added with firmware revision A.02.00

Remote Command:

See [“Trace/View” on page 287](#).

Example: TRAC:MODE BLAN

4.10.8 Operations

This menu allows the user to do simple trace operations.

Key Path: **Trace/View**

History: Added with firmware revision A.08.00

4.10.8.1 1 <-> 2

Exchanges the contents of trace 1 with the contents of trace 2 and puts both in view mode. The action is performed once. It is not available for

continuous sweeps. To clear any trace operation, just set the trace back to **Clear Write, Max Hold, or Min Hold**.

The X-Axis settings and domain of a trace stay with it when it is copied or exchanged.

Key Path: **Trace/View, Operations**

History: Added with firmware revision A.08.00

Remote Command:

```
:TRACe:EXCHange: <trace_name>, <trace_name>
```

Example: TRAC:EXCH TRACE1,TRACE2

4.10.8.2 2 - DL -> 2

Subtracts the display line from trace 2 and places the result in trace 2. The action is performed once. It is not available for continuous sweeps. To keep the modified trace 2 from changing after the operation, it is set to **View**. To clear any trace operation, just set the trace back to **Clear Write, Max Hold, or Min Hold**.

Key Path: **Trace/View, Operations**

History: Added with firmware revision A.08.00

Remote Command:

```
:TRACe:MATH:SUBTract:DLIN <trace_name>
```

Example: TRAC:MATH:SUBT:DLIN TRACE2

4.10.8.2.1 2 <-> 3

Exchanges the contents of trace 2 with the contents of trace 3 and puts both in view mode. The action is performed once. It is not available for continuous sweeps. To keep the modified traces from changing after the operation, they are set to **View**. To clear any trace operation, just set the trace back to **Clear Write, Max Hold, or Min Hold**.

The X-Axis settings and domain of a trace stay with it when it is copied or exchanged.

Key Path: **Trace/View, Operations**

History: Added with firmware revision A.08.00

Remote Command:

```
:TRACe:EXCHange: <trace_name>, <trace_name>
```

Example: TRAC:EXCH TRACE2,TRACE3

4.10.8.2.2 1 -> 3

Copies the contents of trace 1 into the contents of trace 3 and puts trace 3 in blank mode. The action is performed once. It is not available for continuous sweeps. To clear any trace operation, just set the trace back to **Clear Write**, **Max Hold**, or **Min Hold**.

The X-Axis settings and domain of a trace stay with it when it is copied or exchanged.

Key Path: **Trace/View, Operations**

History: Added with firmware revision A.08.00

Remote Command:

:TRACe:COPIY <src_trace>,<dest_trace>

Example: TRAC:COPIY TRACE1,TRACE3

4.10.8.2.3 2 -> 3

Copies the contents of trace 2 into the contents of trace 3 and puts trace 3 in blank mode. The action is performed once. It is not available for continuous sweeps. To clear any trace operation, just set the trace back to **Clear Write**, **Max Hold**, or **Min Hold**.

The X-Axis settings and domain of a trace stay with it when it is copied or exchanged.

Key Path: **Trace/View, Operations**

History: Added with firmware revision A.08.00

Remote Command:

:TRACe:COPIY <src_trace>,<dest_trace>

Example: TRAC:COPIY TRACE2,TRACE3

4.10.8.2.4 Trace Addition (Remote Command Only)

This command adds the contents of any two traces and puts the sum in any trace. The action is performed once. It is not available for continuous sweeps. All traces that are modified are set to **View**. To clear any trace operations, just set the trace back to **Clear Write**, **Max Hold**, or **Min Hold**.

History: Added with firmware revision A.08.00

Remote Command:

:TRACe:MATH:ADD <dest_trace>,<src_trace>,<src_trace>

Example: TRAC:MATH:ADD TRACE2,TRACE1,TRACE3

This command will add TRACE1 to TRACE3 and store it in TRACE2

4.10.8.2.5 Trace Subtraction (Remote Command Only)

This command adds the contents of any two traces and puts the remainder in any trace. The action is performed once. It is not available for continuous sweeps. All traces modified are set to View. To clear any trace operation, just set the trace back to Clear Write, Max Hold, or Min Hold.

History: Added with firmware revision A.08.00

Remote Command:

:TRACe:MATH:SUBTract <dest_trace>,<src_trace>,<src_trace>

Example: TRAC:MATH:SUB TRACE2,TRACE1,TRACE3

This command will subtract TRACE3 from TRACE1 and store it in TRACE2

4.10.8.2.6 Trace Mean (Remote Command Only)

This command finds the mean of the amplitude of all the points on a trace and is returned as a single value in the current amplitude units.

History: Added with firmware revision A.08.00

Remote Command:

:TRACe:MATH:MEAN? <src_trace>

Example: TRAC:MATH:MEAN TRACE2

4.10.8.3 Normalize

Displays menu keys that enable you to normalize trace data.

Key Path: **Trace/View**

History: Added with firmware revision A.08.00

4.10.8.3.1 Store Ref (1 → 3)

Copies trace 1 into trace 3. **Store Ref** (1 → 3) must be pressed before pressing **Normalize** (On). Note that this puts trace 3 in view mode.

Key Path: **Trace/View, Normalize**

History: Added with firmware revision A.08.00

Remote Command:

There is no remote command for this function, however the trace copy command can be used for this purpose.

Example: `TRAC: COPY TRACE1, TRACE3`

4.10.8.3.2 Normalize On/Off

Normalize (On) activates the normalize function. On each sweep, the normalized trace (trace 1) is subtracted from trace 3 and the result is added to the normalized reference level. The display shows the result of the following calculation in trace 1. Note that this determines the location of the trace on the display, *not* the marker reading.

Trace 1 – Reference Trace – Normalized Reference Level

where trace 1 and the reference trace are in absolute units and the reference level is in relative units.

The new trace 1 is normalized with respect to the normalized reference level and reference trace, even if the values of the normalized reference level or reference are changed. This function remains in effect on all subsequent sweeps until it is turned off.

The normalize function is most useful for applying correction data to a trace while making a stimulus-response measurement with a tracking source. For example, connect the cables and a through line in place of the device to be measured (between the tracking source and the analyzer input). Notice that the frequency response is not perfectly flat, showing the response of the cables, as well as the flatness of both the tracking generator and the analyzer. Now press **Store Ref (1 → 3)**, **Normalize On**. Notice that the displayed trace is now flat, or normalized. The position of the normalized trace can now be moved to a different position on the display by changing the normalized reference position. This may be useful if the device to be tested has positive gain, such as an amplifier. Now replace the through line with the device under test, and an accurate measurement of the gain or loss can be made.

Key Path: **Trace/View, Normalize**

Dependencies/

Couplings:

- When Normalize is turned on, Volts, Watts, Amps, and Scale Type are not available.
- If Scale Type is Linear, Normalize is not available.

Trace/View

State Saved: Saved in Instrument Stare.

Factory Preset: Off

History: Added with firmware revision A.08.00

Remote Command:

```
:CALCulate:NTData[:STATe] OFF|ON|0|1
```

```
:CALCulate:NTData[:STATe]?
```

Example: CALC:NTD ON

CALC:NTD?

4.10.8.3.3 Norm Ref Lvl

Sets the level (in dB) of the normalized reference.

Key Path: **Trace/View, Normalize**

Factory Default: 0 dB

State Saved: Saved in Instrument Stare.

Knob Increment: 0.1 dB

Step Key

Increment: 10 dB

Range: -327.6 dB to +327.6 dB

History: Added with firmware revision A.08.00

Remote Command

```
:DISPlay:WINDow:TRACe:Y[:SCALe]:NRLevel <rel_ampl>
```

```
:DISPlay:WINDow:TRACe:Y[:SCALe]:NRLevel?
```

Example: DISP:WIND:TRAC:Y:NRL .10 dB

DISP:WIND:TRAC:Y:NRL?

4.10.8.3.4 Norm Ref Posn

Offsets the displayed trace without affecting the instrument gain or attenuation settings. This allows the displayed trace to be moved without decreasing measurement accuracy. The normalized reference position is indicated with a (>) character on the left side of the display and a (<) character on the right side of the display, just inside the graticule.

Key Path: **Trace/View, Normalize**

State Saved: Saved in Instrument State.

Factory Preset: 10

Factory
Default 10

Range: 0 to 10

Knob Increment: 1

Step Key
Increment: 1

History: Added with firmware revision A.08.00

Remote Command:

`:DISPlay:WINDow:TRACe:Y[:SCALe]:NRPosition <integer>`

`:DISPlay:WINDow:TRACe:Y[:SCALe]:NRPosition?`

Remote Command Notes: The top and bottom graticule lines correspond to 10 and 0, respectively

Remote Command Example: `DISP:WIND:TRAC:Y:NRP 5`

`DISP:WIND:TRAC:Y:NRP?`

4.10.8.3.5 Ref Trace (Trace 3)

Views or blanks the reference trace on the display. The reference trace is trace 3, so this is the same as setting trace 3's display attribute.

Key Path: **Trace/View, Normalize**

State Saved: Saved in Instrument State.

History: Added with firmware revision A.08.00

Remote Command:

Use the `:TRACe3:DISPlay:` command to show or blank the reference trace.

Remote Command Notes: Trace 3 is always the reference trace by definition.

Remote Command Example: `TRAC3:DISP 1` shows the reference trace.

4.11 Trig

Displays menu keys that enable you to select the trigger mode of a sweep or measurement. When in a trigger mode other than Free Run, the analyzer will begin a sweep only with the proper trigger condition.

In FFT measurements, the trigger controls when the data is acquired for FFT conversion; see [“Making Gated FFT Measurements With Your PSA” on page 63](#).

Key Path: Front-panel key

State Saved: Saved in Instrument State

Factory Preset: Free Run

Remote Command:

```
:TRIGger [:SEQuence] :SOURce  
IMMediate|VIDeo|LINE|EXTernal [1] |EXTernal2|RFBurst  
:TRIGger [:SEQuence] :SOURce?
```

IMM = Free Run triggering

VID = Video—triggers on the video signal level

LINE = Line—triggers on the power line signal

Ext1 = External Front—enables you to trigger on an externally connected trigger source

Ext2 = External Rear—enables you to trigger on an externally connected trigger source

Remote Command Notes: Other trigger-related commands are found in the INITiate and ABORt subsystems.

Example: TRIG:SOUR VID

4.11.1 Free Run

Sets the trigger to start a new sweep/measurement as soon as the last one has ended (continuous sweep mode) or immediately (single sweep mode).

Key Path: **Trig**

Dependencies/

Couplings: Trigger Slope and Delay adjustments are not available with Free Run triggering.

Remote Command:

See [“Trig” on page 299](#)

Example: TRIG:SOUR IMM

4.11.2 Video

Activates the trigger condition that allows the next sweep to start if the detected RF envelope voltage crosses a level set by the video trigger level. When Video is pressed, a line appears on the display. The analyzer triggers when the input signal exceeds the trigger level at the left edge of the display. You can change the trigger level using the step keys, the knob, or the numeric keypad. The line remains as long as video trigger is the trigger type.

Key Path: **Trig**

Dependencies/

Couplings: Trigger Delay adjustment is not available with Video triggering.

Video triggering is not available when the detector is Average. Marker Functions that set the detector to average (such as Marker Noise or Band/Intvl Power) are not available when the video trigger is on.

This function is not available when the Resolution Bandwidth is less than 1 kHz. If a Resolution Bandwidth less than 1 kHz is selected while in Video Trigger mode, the Trigger mode changes to Free Run.

Factory Preset: -25 dBm

Range: Using *logarithmic scale*: from 10 display divisions below the reference level, up to the reference level

Using *linear scale*: from 100 dB below the reference level, up to the reference level

For more information, see [“Scale Type” on page 38](#).

Remote Command:

See [“Trig” on page 299](#) for the command that sets trigger mode. The following commands set/read the trigger level.

```
:TRIGger[:SEquence]:VIDeo:LEVel <ampl>
```

```
:TRIGger[:SEquence]:VIDeo:LEVel?
```

:TRIGger[:SEquence]:VIDeo:LEVel:FREQuency <freq> sets the Video Trigger level when in FM Demod, and Demod View is on

```
:TRIGger[:SEquence]:VIDeo:LEVel:FREQuency?
```

Example: TRIG:SOUR VID selects video triggering.

4.11.3 Line

Sets the trigger to start a new sweep/measurement to be synchronized with the next cycle of the line voltage.

Key Path: Trig

Couplings/

Dependencies: Line trigger is not available when operating from a dc power source.

Remote Command:

See [“Trig” on page 299](#)

Example: TRIG:SOUR LINE selects line triggering.

4.11.4 Ext Front (Ext Trig In)

Sets the trigger to start a new sweep/measurement whenever the external voltage (connected to EXT TRIGGER INPUT on the front panel) passes through approximately 1.5 volts.

Key Path: Trig

State Saved: Saved in instrument state

Factory Preset: 1.5 V

Remote Command:

See [“Trig” on page 299](#)

Example: TRIG:SOUR EXT to select front panel external triggering.

4.11.5 Ext Rear (Trigger In)

Sets the trigger to start a new sweep/measurement whenever the external voltage (connected to TRIGGER IN on the rear panel) passes through approximately 1.5 volts.

Key Path: **Trig**

State Saved: Saved in instrument state

Factory Preset: 1.5 V

Remote Command:

See [“Trig” on page 299](#)

Example: `TRIG:SOUR EXT2` to select rear panel external triggering.

4.11.6 RF Burst (Wideband)

Allows the analyzer to be triggered by an RF burst envelope signal.

Key Path: **Trig**

Remote Command:

See [“Trig” on page 299](#)

Example: `TRIG:SOUR RFB`

4.11.7 Trig Slope

Controls the trigger polarity. It is positive to trigger on a rising edge and negative to trigger on a falling edge.

Key Path: **Trig**

Dependencies/

Couplings: Not available for Free Run.

State Saved: Saved in instrument state.

Factory Preset: Positive (rising edge)

Remote Command:

`:TRIGger[:SEQuence]:SLOPe POSitive|NEGative`

`:TRIGger[:SEQuence]:SLOPe?`

Example: `TRIG:SLOP NEG`

4.11.8 Trig Delay

Allows you to control a time delay during which the analyzer will wait to begin a sweep after receiving an external or line trigger signal. You can use negative delay to pre-trigger the instrument.

NOTE Trigger Delay is not available in Free Run, so turning Free Run on turns off Trigger Delay, but preserves the value of Trigger Delay.

Key Path: **Trig**

Dependencies/

Couplings: This function is not available when Trigger is Free Run or Video.

This function is not available when Gate is on.

State Saved: Saved in instrument state.
Factory Preset: Off, 1 μ s
Range: -150 ms to +500 ms
History: Added with firmware revision A.02.00

Remote Command:

```
:TRIGger[:SEQuence]:DELay <time>  
:TRIGger[:SEQuence]:DELay?  
:TRIGger[:SEQuence]:DELay:STATe OFF|ON|0|1  
:TRIGger[:SEQuence]:DELay:STATe?
```

Example: TRIG:DEL:STAT ON
TRIG:DEL 100 ms

4.11.9 Trig Offset (Remote Command Only)

This command sets the trigger offset. Trigger offset refers to the specified time interval before or after the trigger event from which data is to be written to the trace, and then displayed. Ordinarily, the trigger offset value is zero, and trace data is displayed beginning at the trigger event. A negative trigger offset value results in the display of trace data prior to the trigger event. A positive trigger offset value results in an effective delay in the display of trace data after the trigger event.

The trigger offset value used when the feature is enabled will depend on the following parameters:

- Nominal trigger offset value originally entered
- Specific instrument hardware in use
- Sweep time
- Number of sweep points

The effective trigger offset value will be re-calculated whenever any of these parameters change.

State Saved: Saved in instrument state.
Factory Preset: 0 – 500 ms
Range: Hardware specific; dependent upon the ADC being used, current state and the number of sweep points.
History: Added with firmware revision A.02.00

Remote Command:

```
:TRIGger[:SEQuence]:OFFSet <time>
```

```
:TRIGger[:SEQuence]:OFFSet?
```

```
:TRIGger[:SEQuence]:OFFSet:STATe OFF|ON|0|1
```

```
:TRIGger[:SEQuence]:OFFSet:STATe?
```

Remote Command Notes: Trigger offset can only be turned on when in zero span and the resolution bandwidth is 1 kHz or greater. Trigger offset is available for all trigger modes.

Example: TRIG:OFFS 100 ms

TRIG:OFFS:STAT ON turns on the trigger offset.

5 **Programming Fundamentals**

- “SCPI Language Basics” on page 309
- “Improving Measurement Speed” on page 317
- “Programming Command Compatibility Across Model Numbers and Across Modes” on page 324
- “Using the LAN to Control the Instrument” on page 329
- “Programming in C Using the VTL” on page 352
- “Overview of the GPIB Bus” on page 360

SCPI Language Basics

This section is not intended to teach you everything about the SCPI (Standard Commands for Programmable Instruments) programming language. The SCPI Consortium or IEEE can provide that level of detailed information.

Topics covered in this chapter include:

- “Creating Valid Commands” on page 309
- “Command Keywords and Syntax” on page 309
- “Special Characters in Commands” on page 310
- “Parameters in Commands” on page 312
- “Putting Multiple Commands on the Same Line” on page 314

For more information refer to:

IEEE Standard 488.1-1987, *IEEE Standard Digital Interface for Programmable Instrumentation*. New York, NY, 1998.

IEEE Standard 488.2-1987, *IEEE Standard Codes, Formats, Protocols and Comment Commands for Use with ANSI/IEEE Std488.1-1987*. New York, NY, 1998.

Command Keywords and Syntax

A typical command is made up of keywords set off by colons. The keywords are followed by parameters that can be followed by optional units.

Example: `SENSe:FREQuency:STARt 1.5 MHZ`

The instrument does not distinguish between upper and lower case letters. In the documentation, upper case letters indicate the short form of the keyword. The lower case letters, indicate the long form of the keyword. Either form may be used in the command.

Example: `Sens:Freq:Star 1.5 mhz`

is the same as `SENSE:FREQ:start 1.5 MHz`

NOTE

The command `SENS:FREQ:STAR` is not valid because `FREQ` is neither the short, nor the long form of the command. Only the short and long forms of the keywords are allowed in valid commands.

Creating Valid Commands

Commands are not case sensitive and there are often many different

ways of writing a particular command. These are examples of valid commands for a given command syntax:

Command Syntax	Sample Valid Commands
[SENSe:]BANDwidth[:RESolution] <freq>	<p>The following sample commands are all identical. They will all cause the same result.</p> <ul style="list-style-type: none"> • Sense:Band:Res 1700 • BANDWIDTH:RESOLUTION 1.7e3 • sens:band 1.7KHZ • SENS:band 1.7E3Hz • band 1.7kHz • bandwidth:RES 1.7e3Hz
MEASure:SPECTrum[n] ?	<ul style="list-style-type: none"> • MEAS:SPEC? • Meas:spec? • meas:spec3? <p>The number 3 in the last meas example causes it to return different results than the commands above it. See the command description for more information.</p>
[[:SENSe]:DETector[:FUNction] NEGative POSitive SAMPLE	<ul style="list-style-type: none"> • DET:FUNC neg • Detector:Func Pos
INITiate:CONTinuous ON OFF 1 0	<p>The sample commands below are identical.</p> <ul style="list-style-type: none"> • INIT:CONT ON • init:continuous 1

Special Characters in Commands

Special Character	Meaning	Example
	A vertical stroke between parameters indicates alternative choices. The effect of the command is different depending on which parameter is selected.	<p>Command: TRIGger:SOURce EXternal INternal LINE</p> <p>The choices are external, internal, and line. Ex: TRIG:SOURCE INT</p> <p>is one possible command choice.</p>

Special Character	Meaning	Example
	A vertical stroke between keywords indicates identical effects exist for both keywords. The command functions the same for either keyword. Only one of these keywords is used at a time.	Command: SENSE: BANDwidth BWIDth: OFFSet Two identical commands are: Ex1: SENSE: BWIDTH: OFFSET Ex2: SENSE: BAND: OFFSET
[]	keywords in square brackets are optional when composing the command. These implied keywords will be executed even if they are omitted.	Command: [SENSE:] BANDwidth[: RESolu tion]: AUTO The following commands are all valid and have identical effects: Ex1: bandwidth: auto Ex2: band: resolution: auto Ex3: sense: bandwidth: auto
< >	Angle brackets around a word, or words, indicates they are not to be used literally in the command. They represent the needed item.	Command: SENS: FREQ <freq> In this command example the word <freq> should be replaced by an actual frequency. Ex: SENS: FREQ 9.7MHz.
{ }	Parameters in braces can optionally be used in the command either not at all, once, or several times.	Command: MEASure: BW <freq>{, level} A valid command is: meas: BW 6 MHz, 3dB, 60dB

Parameters in Commands

There are four basic types of parameters: booleans, keywords, variables and arbitrary block program data.

OFF|ON|0|1

(Boolean) This is a two state boolean-type parameter. The numeric value 0 is equivalent to OFF. Any numeric value other than 0 is equivalent to ON. The numeric values of 0 or 1 are commonly used in the command instead of OFF or ON. Queries of the parameter always return a numeric value of 0 or 1.

keyword The keywords that are allowed for a particular command are defined in the command syntax description.

Units Numeric variables may include units. The valid units for a command depend on the variable type being used. See the following variable descriptions. The indicated default units will be used if no units are sent. Units can follow the numerical value with, or without, a space.

Variable A variable can be entered in exponential format as well as standard numeric format. The appropriate range of the variable and its optional units are defined in the command description.

The following keywords may also be used in commands, but not all commands allow keyword variables.

- DEFault - resets the parameter to its default value.
- UP - increments the parameter.
- DOWN - decrements the parameter.
- MINimum - sets the parameter to the smallest possible value.
- MAXimum - sets the parameter to the largest possible value.

The numeric value for the function's MINimum, MAXimum, or DEFault can be queried by adding the keyword to the command in its query form. The keyword must be entered following the question mark.

Example query: SENSE:FREQ:CENTER? MAX

Variable Parameters

<integer> is an integer value with no units.

<real> Is a floating point number with no units.

<freq>	
<bandwidth>	Is a positive rational number followed by optional units. The default unit is Hertz. Acceptable units include: Hz, kHz, MHz, GHz.
<time>	
<seconds>	Is a rational number followed by optional units. The default units are seconds. Acceptable units include: ks, s, ms, us, ns.
<voltage>	Is a rational number followed by optional units. The default units are Volts. Acceptable units include: V, mV, uV, nV
<current>	Is a rational number followed by optional units. The default units are Amperes. Acceptable units include: A, mA, uA, nA.
<power>	Is a rational number followed by optional units. The default units are W. Acceptable units include: mAW, kW, W, mW, uW, nW, pW.
<ampl>	Is a rational number followed by optional units. The default units are dBm. Acceptable units include: dBm, dBmV, dBuV.
<rel_power>	
<rel_ampl>	Is a positive rational number followed by optional units. The default units are dB. Acceptable units include: dB.
<percent>	Is a rational number between 0 and 100. You can either use no units or use PCT.
<angle>	
<degrees>	Is a rational number followed by optional units. The default units are degrees. Acceptable units include: DEG, RAD.
<string>	Is a series of alpha numeric characters.
<bit_pattern>	Specifies a series of bits rather than a numeric value. The bit series is the binary representation of a numeric value. There are no units.

Bit patterns are most often specified as hexadecimal numbers, though octal, binary or decimal numbers may also be used. In the SCPI language these numbers are specified as:

- Hexadecimal, #Hdddd or #hdddd where 'd' represents a hexadecimal digit 0 to 9 and 'a' to 'f'. So #h14 can be used instead of the decimal number 20.
- Octal, #Odddddd or #oddddd where 'd' represents an octal digit 0 to 7. So #o24 can be used instead of

the decimal number 20.

- Binary, #Bdddddddddddddd or #bdddddddddddddd where 'd' represents a 1 or 0. So #b10100 can be used instead of the decimal number 20.

Block Program Data

Some parameters consist of a block of data. There are a few standard types of block data. Arbitrary blocks of program data can also be used.

<trace> Is an array of rational numbers corresponding to displayed trace data. See FORMat:DATA for information about available data formats.

A SCPI command often refers to a block of current trace data with a variable name such as: Trace1, TRACE2, or trace3, depending on which trace is being accessed.

<arbitrary block data> Consists of a block of data bytes. The first information sent in the block is an ASCII header beginning with #. The block is terminated with a semi-colon. The header can be used to determine how many bytes are in the data block. There are no units. (You will not get block data if your data type is ASCII, using FORMat:DATA ASCII command. Your data will be comma separated ASCII values.

Block data example: suppose the header is #512320.

- The first digit in the header (5) tells you how many additional digits/bytes there are in the header.
- The 12320 means 12 thousand, 3 hundred, 20 data bytes follow the header.
- Divide this number of bytes by your current data format (bytes/data point), either 8 (for real,64), or 4 (for real,32). For this example, if you're using real64 then there are 1540 points in the block.

Putting Multiple Commands on the Same Line

Multiple commands can be written on the same line, reducing your code space requirement. To do this:

- Commands must be separated with a semicolon (;).
- If the commands are in different subsystems, the key word for the new subsystem must be preceded by a colon (:).
- If the commands are in the same subsystem, the full hierarchy of the command key words need not be included. The second command can start at the same key word level as the command that was just

executed.

SCPI Termination and Separator Syntax

A terminator must be provided when an instrument is controlled using RS-232. There are several issues to be understood about choosing the proper SCPI terminator and separator when this is the case. There is no current SCPI standard for RS-232. Although one intent of SCPI is to be interface independent, <END> is only defined for IEEE 488 operation. At the time of this writing, the RS-232 terminator issue was in the process of being addressed in IEEE standard 1174.

A semicolon (;) is not a SCPI terminator, it is a separator. The purpose of the separator is to queue multiple commands or queries in order to obtain multiple actions and/or responses. Make sure that you do not attempt to use the semicolon as a terminator when using RS-232 control.

All binary trace and response data is terminated with <NL><END>, as defined in Section 8.5 of IEEE Standard 488.2-1992, *IEEE Standard Codes, Formats, Protocols and Common Commands for Use with ANSI/IEEE Std 488.1-1987*. New York, NY, 1992.

The following are some examples of good and bad commands. The examples are created from a theoretical instrument with the simple set of commands indicated below:

```
[ :SENSe]
    :POWer
        [:RF]
        :ATTenuation 40dB

:TRIGger
    [:SEQuence]
    :EXTernal [1]
        :SLOPe
            POSitive

[:SENSe]
    :FREQuency
        :START
    :POWer
    [:RF]
        :MIXer
            :RANGe
            [:UPPer]
```

Bad Command	Good Command
PWR:ATT 40dB	POW:ATT 40dB
The short form of POWER is POW, not PWR.	

Bad Command	Good Command
<code>FREQ:STAR 30MHz;MIX:RANG -20dBm</code>	<code>FREQ:STAR 30MHz;POW:MIX:RANG -20dBm</code>
The <code>MIX:RANG</code> command is in the same <code>:SENSE</code> subsystem as <code>FREQ</code> , but executing the <code>FREQ</code> command puts you back at the <code>SENSE</code> level. You must specify <code>POW</code> to get to the <code>MIX:RANG</code> command.	
<code>FREQ:STAR 30MHz;POW:MIX RANG -20dBm</code>	<code>FREQ:STAR 30MHz;POW:MIX:RANG -20dBm</code>
<code>MIX</code> and <code>RANG</code> require a colon to separate them.	
<code>:POW:ATT 40dB;TRIG:FREQ:STAR 2.3GHz</code>	<code>:POW:ATT 40dB;:FREQ:STAR 2.3GHz</code>
<code>:FREQ:STAR</code> is in the <code>:SENSE</code> subsystem, not the <code>:TRIGGER</code> subsystem.	
<code>:POW:ATT?:FREQ:STAR?</code>	<code>:POW:ATT?;:FREQ:STAR?</code>
<code>:POW</code> and <code>FREQ</code> are within the same <code>:SENSE</code> subsystem, but they are two separate commands, so they should be separated with a semicolon, not a colon.	
<code>:POW:ATT -5dB;:FREQ:STAR 10MHz</code>	<code>:POW:ATT 5dB;:FREQ:STAR 10MHz</code>
Attenuation cannot be a negative value.	

Improving Measurement Speed

There are a number of things you can do in your programs to make them run faster:

“Turn off the display updates.” on page 317

“Use binary data format instead of ASCII” on page 317

“Minimize the number of GPIB transactions.” on page 318

“Put ADC Ranging in Bypass for FFT Measurements” on page 319

“Minimize DUT/instrument setup changes.” on page 319

“Consider using LAN instead of GPIB.” on page 319

There are additional things you can do to run faster if you are using a measurement personality option (i.e. instrument Modes other than the standard Spectrum Analysis Mode). These considerations only apply to specific option modes.

“Using an Option Mode: Minimize the number of GPIB transactions.” on page 319

“Using an Option Mode: Avoid automatic attenuator setting.” on page 320

“Using an Option Mode: Optimize your GSM output RF spectrum switching measurement.” on page 321

“Using an Option Mode: Avoid using RFBurst trigger for single burst signals.” on page 321

“Using an Option Mode: When making power measurements on multiple bursts or slots, use CALCulate:DATA<n>:COMPRESS?” on page 322

Turn off the display updates.

`:DISPlay:ENABle OFF` turns off the display. That is, the data may still be visible, but it will no longer be updated. Updating the display slows down the measurement. For remote testing, since the computer is processing the data rather than a person, there is no need to display the data on the analyzer screen.

Use binary data format instead of ASCII

The ASCII data format is the instrument default since it is easier for people to understand and is required by SCPI for `*RST`. However, data input/output is faster using the binary formats.

`:FORMat:DATA REAL,64` selects the 64-bit binary data format for all

your numerical data queries. You may need to swap the byte order if you are using a PC rather than UNIX. **NORMa1** is the default byte order. Use **:FORMat:BORDER SWAP** to change the byte order so that the least significant byte is sent first. (Real,32 which is smaller and somewhat faster, should only be used if you don't need full resolution for your data. Some frequency data may require full 64 bit resolution.)

When using the binary format, data is sent in a block of bytes with an ASCII header. A data query would return the block of data in the following format: `#DNNN<nnn binary data bytes>`

To parse the data:

- Read two characters (`#D`), where `D` tells you how many `N` characters follow the `D` character.
- Read `D` characters, the resulting integer specifies the number of data bytes sent.
- Read the bytes into a real array.

For example, suppose the header is `#512320`.

- The first character/digit in the header (`5`) tells you how many additional digits there are in the header.
- The `12320` means 12 thousand, 3 hundred, 20 data bytes follow the header.
- Divide this number of bytes by your current data format (bytes/data point), 8 for real,64. For this example, there are 1540 data points in the block of data.

Minimize the number of GPIB transactions.

When you are using the GPIB for control of your instrument, each transaction requires driver overhead and bus handshaking, so minimizing these transactions reduces the time used.

You can reduce bus transactions by sending multiple commands per transaction. See the information on “Putting Multiple Commands on the Same Line” in the SCPI Language Basics section.

If you are using the **MEASURE** key measurements and are making the same measurement multiple times with small changes in the measurement setup, use the single **READ** command. It is faster than using **INITiate** and **FETCh**.

Avoid unnecessary use of *RST.

Remember that while ***RST** does not change the current Mode, it presets all the measurements and settings to their factory defaults. This forces you to reset your analyzer's measurement settings even if they use similar mode setup or measurement settings. See [Minimize DUT/instrument setup changes](#). below. (Also note that ***RST** may put the instrument in single measurement/sweep for some modes.)

Put ADC Ranging in Bypass for FFT Measurements

Setting ADC ranging to the Bypass mode can speed FFT measurements up by 10% to 50%. (Use ADC:RANG NONE) Bypass allows triggered FFT measurements to occur at the trigger time instead of following an autoranging time, so it can improve measurement speed. It does, however, add additional noise degrading your signal to noise level, so it should be used carefully.

Minimize DUT/instrument setup changes.

- Some instrument setup parameters are common to multiple measurements. You should look at your measurement process with an eye toward minimizing setup changes. If your test process involves nested loops, make sure that the inner-most loop is the fastest. Also, check if the loops could be nested in a different order to reduce the number of parameter changes as you step through the test.
- Are you are using the measurements under the **MEASURE** key? Remember that if you have already set your Meas Setup parameters for a measurement, and you want to make another one of these measurements later, use `READ:<meas>?`. The `MEASure:<meas>?` command resets all the settings to the defaults, while `READ` changes back to that measurement without changing the setup parameters from the previous use.
- Are you are using the Measurements under the **MEASURE** key? Remember that *Mode Setup* parameters remain constant across all the measurements in that mode (e.g. center/channel frequency, amplitude, radio standard, input selection, trigger setup). You don't have to re-initialize them each time you change to a different measurement.

Consider using LAN instead of GPIB.

LAN allows faster I/O of data, especially if you are moving large blocks of data. You will not get this improved throughput if there is excessive LAN traffic (i.e. your test instrument is connected to enterprise LAN). You may want to use a private LAN that is only for your test system.

Using an Option Mode: Minimize the number of GPIB transactions.

When you are using the GPIB for control of your instrument, each transaction requires driver overhead and bus handshaking, so minimizing these transactions reduces the time used.

- You can reduce bus transactions by sending multiple commands per transaction. See the information on “Putting Multiple Commands on

the Same Line” in the SCPI Language Basics section.

- If you are making the same measurement multiple times with small changes in the measurement setup, use the READ command. It is faster than using INITiate and FETCh.
- If you are changing the frequency and making a measurement repeatedly, you can reduce transactions by sending the optional frequency parameter with your READ command. (for example, READ:<meas>? {<freq>}) These optional parameters are not available in some personality modes such as Spectrum Analysis or Phase Noise.

The CONFigure/MEASure/READ commands for measurements in the option Modes allow you to send center frequency setup information along with the command. (for example, **MEAS:PVT? 935.2MHz**) This sets the power vs. time measurement to its defaults, then changes the center frequency to 935.2 MHz, initiates a measurement, waits until it is complete and returns the measurement data.

- If you are doing bottom/middle/top measurements on base stations, you can reduce transactions by making a time slot active at each of the B,M,T frequencies. Then issue three measurements at once in the programming code and retrieve three data sets with just one GPIB transaction pair (write, read).

For example, send **READ:PFER? <Freq_bottom>;PFER? <Freq_middle>;PFER? <Freq_top>** This single transaction initiates three different phase and frequency error measurements at each of the three different frequencies provided and returns the data. Then you read the three sets of data.

Using an Option Mode: Avoid automatic attenuator setting.

The internal process for automatically setting the value of the attenuator requires measuring an initial burst to identify the proper attenuator setting before the next burst can be measured properly. If you know the amount of attenuation or the signal level needed for your measurement, just set it.

Note that spurious types of measurements must be done with the attenuator set to automatic (for measurements like: output RF spectrum, transmit spurs, adjacent channel power, spectrum emission mask). These types of measurements start by tuning to the signal, then they tune away from it and must be able to reset the attenuation value as needed.

Using an Option Mode: Optimize your GSM output RF spectrum switching measurement.

For ORFS (switching), setting the break frequency to zero (0) puts the analyzer in a measurement setup where it can use a direct time measurement algorithm, instead of an FFT-based algorithm. This non-FFT approach is faster. (However, remember that your break frequency for ORFS (modulation) measurements must be >400 kHz for valid measurements, so you will need to change the break frequency if you are making both types of measurements.)

Using an Option Mode: Avoid using RFBurst trigger for single burst signals.

RFBurst triggering works best when measuring signals with repetitive bursts. For a non-repetitive or single burst signals, use the IF (video) trigger or external trigger, depending on what you have available.

RFBurst triggering depends on its establishment of a valid triggering reference level, based on previous bursts. If you only have a single burst, the peak detection nature of this triggering function, may result in the trigger being done at the wrong level/point generating incorrect data, or it may not trigger at all.

Are you making a single burst measurement?

To get consistent triggering and good data for this type of measurement application, you need to synchronize the triggering of the DUT with the analyzer. You should use the analyzer's internal status system for this.

The first step in this process is to initialize the status register mask to look for the "waiting for trigger" condition (bit 5). Use

```
:STATus:OPERation:ENABLE 32
```

Then, in the measurement loop:

1. **:STATus:OPERation:EVENT?** This query of the operation event register is to clear the current register contents.
2. **:READ:PVT?** initiates a measurement (in this example, for GSM power versus time) using the previous setup. The measurement will then be waiting for the trigger.

Make sure the attenuation is set manually. Do NOT use automatic attenuation as this requires an additional burst to determine the proper attenuation level before the measurement can be made.

3. Create a small loop that will serial poll the instrument for a status byte value of binary 128. Then wait 1 msec (100 ms if the display is left on/enabled) before checking again, to keep the bus traffic down. These two commands are repeated until the condition is set, so we know that the trigger is armed and ready.

4. Trigger your DUT to send the burst.
5. Return the measurement data to your computer.

NOTE

This process cannot be done by using with the current VXI plug-n-play driver implementation. You will need to use the above SCPI commands.

Using an Option Mode: When making power measurements on multiple bursts or slots, use CALCulate:DATA<n>:COMPRESS?

The CALC:DATA:COMP? query is the fastest way to measure power data for multiple bursts/slots. There are two reasons for this: 1. it can be used to measure data across multiple, consecutive slots/frames with just one measurement, instead of a separate measurement on each slot, and 2. it can pre-process and/or decimate the data so that you only return the information that you need which minimizes data transfer to the computer.

For example: let's say you want to do a power measurement for a GSM base station where you generate a repeating frame with 8 different power levels. You can gather all the data with a single CALC:DATA:COMP? acquisition, using the waveform measurement.

With **CALC:DATA2:COMP? MEAN, 9, 197, 1730** you can measure the mean power in those bursts. This single command will measure the data across all 8 frames, locate the first slot/burst in each of the frames, calculate the mean power of those bursts, then return the resulting 8 values.

NOTE

For later version of firmware (after A.02.00) you can use equivalent time values for the CALC:DATA<n>:COMP? query. The command would then be **CALC:DATA2:COMP? MEAN, 25us, 526us, 579.6us, 8**

Let's set up the GSM Waveform measurement:

- **:CONF:WAV?** turns on the waveform measurement
- **:WAV:BAND 300khz** sets a resolution bandwidth of 300 kHz
- **:WAV:SWE:TIME 5ms** sets a sweep time of 5 milliseconds
- **:WAV:BAND:TYPE FLAT** selects the flat filter type
- **:WAV:DEC 4;DEC:STAT ON** selects a decimation of 4 and turns on decimation. This reduces the amount of data that needs to be sent since the instrument hardware decimates (throws some away).
- **:INIT** to initiate a measurement and acquire the data
- **CALC:DATA2:COMP? MEAN, 25us, 526us, 579.6us, 8** to return the desired data

There are two versions of this command depending on your firmware revision. Earlier revisions require the optional variables be entered in terms of their position in the trace data array. Current instruments

allow the variables to be entered in terms of time.

For early firmware revisions you need to know the sample interval. In the waveform measurement it is equal to the aperture value. Query :WAVeform:APERture? to find the sample interval. (Note: the WAV:APER? command always takes decimation into account.) The sample interval (aperture value) is dependent on the settings for resolution bandwidth, filter type, and decimation. See the following table to see how these value relate.

The parameters for this GSM example are:

MEAN, 9, 197, 1730 (or with later firmware:

MEAN, 25us, 526us, 579.6us, 8)

- MEAN calculates the mean of the measurement points indicated
- 9 is how many points you want to discard before you look at the data. This allows you to skip over any “unsettled” values at the beginning of the burst. You can calculate this start offset by $(25\mu\text{s}/\text{sampleInterval})$
- 197 is the length of the data you want to use. This would be the portion of the burst that you want to find the mean power over. You can calculate this length by $(526\mu\text{s}/\text{sampleInterval})$
- 1730 is how much data you have before you repeat the process. For this example it’s the time between the start offset point on the burst in the first slot (first frame) to the same spot on the burst in the first slot (second frame). You can calculate this by $(576.9\mu\text{s} * N / \text{sampleInterval})$ where N is the number of data items that you want. In this case it is the number of slots in the frame, N=8.)

Table 5-1 GSM Parameters for 1 Slot/Frame Measurement Requirements

Resolution Bandwidth	Filter Type	Decimation	Aperture	Start	Length	Repeat
500 or 300 kHz	Flat or Gaussian	4 or 1	dependent on settings	24 μsec^a	526 μsec^a	576.9 μsec^a
500 kHz	Gaussian	1	0.2 μsec	124	2630	2884.6
500 kHz	Gaussian	4	0.8 μsec	31	657	721.15
500 kHz	Flat	1	0.4 μsec	61	1315	1442.3
500 kHz	Flat	4	1.6 μsec	15	329	360.575
300 kHz	Gaussian	1	0.2667 μsec	90	1972	2163.1
300 kHz	Gaussian	4	1.07 μsec	22	492	539.16
300 kHz	Flat	1	0.6667 μsec	36	789	865.31
300 kHz	Flat	4	2.667 μsec	9	197	216.33

a. The use of time values is only allowed in firmware versions of A.02.00 and later.

Programming Command Compatibility Across Model Numbers and Across Modes

Across PSA Modes: Command Subsystem Similarities

When you select different modes you get different sets of available programming commands. That is, *only* the commands that are appropriate for the current mode are available. Also, some commands have the same syntax in different modes but have different ranges or settings that are only appropriate to the current mode.

The following table shows which command subsystems are the same across different modes. If there is no “X” by a particular subsystem, then the set of available commands is different in those modes. Command ranges or defaults may also be different. Refer to the programming command descriptions in the documentation for each mode for details.

Command Subsystem	Same command set is available: SA mode compared with the application modes: W-CDMA, cdmaOne, cdma2000, 1xEV-DO, Basic, GSM, EDGE, NADC, or PDC	Same command set is available: SA mode compared with the application mode: Phase Noise
IEEE common commands	X	X
ABORt	X	X
CALCulate		
CALibration	X	X
CONFigure		
COUPle	not available in these application modes	not available in this application modes
DISPlay		
FETCh		
FORMat		X
HCOPy	X	X
INITiate		
INPut	not available in these application modes	X

Command Subsystem	Same command set is available: SA mode compared with the application modes: W-CDMA, cdmaOne, cdma2000, 1xEV-DO, Basic, GSM, EDGE, NADC, or PDC	Same command set is available: SA mode compared with the application mode: Phase Noise
MEASure		
MEMory	X	X
MMEMory	X	X
MMEMory:STORe:TRACe	not available in application modes	X
READ		
[SENSe] [SENSe:]CHANnel [SENSe:]CORRection [SENSe:]FEED [SENSe:]FREQuency:CE NTer [SENSe:]FREQuency: <other subsystems> [SENSe:]<measurement> [SENSe:]POWer [SENSe:]RADio [SENSe:]SYNC	X not available in application modes	not available in application modes
STATus	X	X
SYSTem	X	X
TRACe	not available in application modes	X
TRIGger		
UNIT	X	X

Across PSA Modes: Specific Command Differences

Some programming commands operate differently depending on which Mode the analyzer is set to.

Command	Spectrum Analysis, Phase Noise and Noise Figure Mode	Basic, cdmaOne, cdma2000, 1xEV-DO, W-CDMA, GSM, EDGE, NADC, PDC Modes
CONFigure: <measurement>	Accesses the measurement and sets the instrument settings to the defaults. Averaging is turned on and set to 10. The instrument is put in single measurement mode. It does not initiate a measurement. Use INIT:IMM to make one measurement.	Accesses the measurement and sets the instrument settings to the defaults. If you were already in single measurement mode, it takes one measurement and then waits. If you were in continuous measurement mode it continues to measure.
*ESE default	Default is 255 which means that every error/status bit change that has occurred will be returned with a *ESR? query. You must set the value of *ESE to choose only the bits/status that you want returned.	Default is 0 which means that none of the error/status bit changes that have occurred will be returned with a *ESR? query. You must set the value of *ESE to choose the bits/status that you want returned.
TRIGger commands	For these modes, only one trigger source can be selected and it will be common across the modes. Also, only one value can be set for the trigger delay, level, or polarity.	For these modes, a unique trigger source can be selected for each mode. Also, each trigger source can have unique settings for the its delay, level, and polarity.
Saving and recalling traces	Traces can only be saved when in the Spectrum Analysis mode (MMEM:STOR:TRAC). This is because the instrument state must be saved along with the trace data and the state data varies depending on the number of modes currently available in the instrument.	

Using Applications in PSA Series vs. VSA E4406A

NOTE This information *only* applies to the application modes: Basic, cdmaOne, cdma2000, 1xEV-DO, W-CDMA, GSM, EDGE, NADC, and PDC.

Command	PSA Series	VSA E4406A: A.04.00	VSA E4406A: A.05.00
*RST	Resets instrument, putting it in continuous measurement mode. Use INIT:CONT OFF to select single measurement mode and INIT:IMM to start one measurement.	Resets instrument, putting it in single measurement mode. One measurement is initiated when the command is sent.	Resets instrument, putting it in single measurement mode. No measurement is initiated when the command is sent. Use INIT:IMM to start one measurement.
CONFigure: <measurement>	Accesses the measurement and sets the instrument settings to the defaults. If you were already in single measurement mode, it takes one measurement and then waits.	Same as PSA. Accesses the measurement and sets the instrument settings to the defaults. If you were already in single measurement mode, it takes one measurement and then waits.	Accesses the measurement and sets the instrument settings to the defaults. If you were already in single measurement mode, it does not initiate a measurement. Use INIT:IMM to make one measurement.
*ESE default	Default is 255 which means that every error/status bit change that has occurred will be returned with a *ESR? query. You must set the value of *ESE to choose only the bits/status that you want returned.	Default is 0 which means that none of the error/status bit changes that have occurred will be returned with a *ESR? query. You must set the value of *ESE to choose the bits/status that you want returned.	Same as VSA A.04.00. Default is 0 which means that none of the error/status bit changes that have occurred will be returned with a *ESR? query. You must set the value of *ESE to choose the bits/status that you want returned.
*LRN	The command is <i>not</i> available.	The command is available.	The command is available.

Command	PSA Series	VSA E4406A: A.04.00	VSA E4406A: A.05.00
TRIGger commands	<p>In Spectrum Analysis mode only one value can be set for the trigger's source, delay, level, or polarity.</p> <p>Basic, GSM, EDGE, cdmaOne, cdma2000, W-CDMA, NADC, PDC modes function the same as VSA</p>	<p>You can select a unique trigger source for each mode. Each trigger source can have unique settings for the its delay, level, and polarity.</p>	<p>Same as VSA A.04.00.</p> <p>You can select a unique trigger source for each mode. Each trigger source can have unique settings for the its delay, level, and polarity.</p>
AUTO ON OFF control and setting manual values	<p>We recommend that you set a function's automatic state to OFF, before you send it your manual value.</p> <p>Some functions will turn off the automatic mode when you send a specific manual value, but others will not. This also varies with the instrument model.</p>	<p>We recommend that you set a function's automatic state to OFF, before you send it your manual value.</p> <p>Some functions will turn off the automatic mode when you send a specific manual value, but others will not. This also varies with the instrument model.</p>	<p>We recommend that you set a function's automatic state to OFF, before you send it your manual value.</p> <p>Some functions will turn off the automatic mode when you send a specific manual value, but others will not. This also varies with the instrument model.</p>

Using the LAN to Control the Instrument

Refer to the function description chapters for information about configuring the instrument input/output settings from the front panel. Use the SYSTem commands to change settings remotely.

NOTE

Remember that in any type programming using LAN you should avoid constantly opening and closing connections. This uses up processing resources, adds to your system overhead, and can cause problems with asynchronous implementation of successive commands. When you are sending the instrument multiple commands: open the connection, send all the commands, and close the connection.

- [“Using ftp for File Transfers” on page 5-329](#)
- [“Using Telnet to Send Commands” on page 5-332](#)
- [“Using Socket LAN to Send Commands” on page 5-336](#)
- [“Using SICL LAN to Control the Instrument” on page 5-337](#)
- [“Using HP/Agilent VEE Over Socket LAN” on page 5-342](#)
- [“Using a Java™ Applet Over Socket LAN” on page 5-344](#)
- [“Using a C Program Over Socket LAN” on page 5-344](#)
- [“General LAN Troubleshooting” on page 5-344](#)

Using ftp for File Transfers

You can use the instrument LAN connection to transfer files. For example, you can use the ftp functionality to download instrument screen dumps to an external server.

The following is an example of an ftp session from an MSDOS window on a PC:

1. ftp 141.88.163.118 (enter the instrument IP address, found/set from the front panel by pressing **System, Config I/O**)
2. At the user name prompt, enter: vsa
3. At the password prompt, enter: service

You are now in the instrument /users directory and can get files from the instrument. The ftp commands in the following steps may not all be available from your controller. To show the ftp commands available on your system, type help at the prompt. To end the ftp session, type quit.

NOTE

Do *not* delete files from this directory. Most of the files are required for

instrument operation, and for the operation of optional personality modes.

4. `cd userdir` (change to the directory where data files are saved)
5. `ls` (list all available files, `ls -la` shows file permissions)
6. `bin` (change to the binary file transfer mode)
7. `get myfilename` (enter the file name; the name *is* case sensitive)

This “gets” (copies) your file. The file is copied to the location you were pointing to when you *started* the ftp process. To query the current location, enter `lcd .` (include the period). To change the current location, enter the desired path/directory location as follows:
`lcd C:\my path\mydir`

NOTE

To use a web browser for this example, enter:
`ftp://vsa:service@141.88.163.118/userdir`

The Standard UNIX FTP Command:

Synopsis `ftp [-g] [-i] [-n] [-v] [server-host] [-B DataSocketBufferSize]`

Description The `ftp` command is used to transfer files using the File Transfer Protocol. `ftp` transfers files over a network connection between a local machine and the remote `server-host`.

Options and Parameters When `ftp` is invoked with a `server-host` specified, a connection is opened immediately. Otherwise, `ftp` waits for user commands.

The following options are supported:

- `-g` disables expansion of shell metacharacters in file and directory names
- `-i` disables prompts during multiple-file operations
- `-n` disables automatic log-in
- `-v` enables verbose output
- `-B` specifies a new `DataSocketBufferSize`
- `server-host` the name or address of the remote host.

This table lists the available user commands.

Table 5-2

ftp Commands

Command	Description
<code>ascii</code>	Sets the file transfer type to ASCII.

Table 5-2 ftp Commands

Command	Description
binary	Sets the file transfer type to binary.
bye	Closes the connection to the host and exits ftp.
cd <i>remote_directory</i>	Sets the working directory on the host to <i>remote_directory</i> .
delete <i>remote_file</i>	Deletes <i>remote_file</i> or empty <i>remote_directory</i> .
dir [<i>remote_directory</i>]	Lists the contents of the specified <i>remote_directory</i> . If <i>remote_directory</i> is unspecified, the contents of the current remote directory are listed.
get <i>remote_file</i> [<i>local_file</i>]	Copies <i>remote_file</i> to <i>local_file</i> . If <i>local_file</i> is unspecified, ftp uses the <i>remote_file</i> name as the <i>local_file</i> name.
help	Provides a list of ftp commands.
help <i>command</i>	Provides a brief description of <i>command</i> .
image	Sets the file transfer type to binary.
lcd [<i>local_directory</i>]	Sets the local working directory to <i>local_directory</i> .
ls [<i>remote_directory</i>]	Lists the contents of the specified <i>remote_directory</i> . If the <i>remote_directory</i> is unspecified, the contents of the current remote directory are listed.
mget <i>remote_file</i> [<i>local_file</i>]	Copy <i>remote_file</i> to the local system. If <i>local_file</i> is unspecified, ftp uses the <i>remote_file</i> name as the <i>local_file</i> name.
mput <i>local_file</i> [<i>remote_file</i>]	Copies <i>local_file</i> to remote file. If <i>remote_file</i> is unspecified, ftp uses the <i>local_file</i> name as the <i>remote_file</i> name.
put <i>local_file</i> [<i>remote_file</i>]	Copies <i>local_file</i> to <i>remote file</i> . If <i>remote_file</i> is unspecified, ftp uses the <i>local_file</i> name as the <i>remote_file</i> name.
quit	Closes the connection to the host and exits ftp.

Using Telnet to Send Commands

Using telnet to send commands to your instrument works in a similar way to communicating over GPIB. You establish a connection with the instrument, and then send or receive information using SCPI commands.

NOTE If you need to control the bus using “device clear” or SRQ’s, you can use SICL LAN. SICL LAN provides control of your instrument via IEEE 488.2 GPIB over the LAN. See “Using SICL LAN to Control the Instrument” on page 5-337. in this chapter.

NOTE STATUS bits that are already set when the socket connection is made cannot be read. Only status bit changes that occur after the socket connection is made will returned when the status register is queried.

On unix or PC:

The syntax of the telnet command is:

```
telnet <IP address> <5023>
```

The initial telnet connection message will be displayed and then a SCPI> prompt. At the SCPI prompt, simply enter the desired SCPI commands.

On a PC (with telnet gui that has host/port setting menu):

You would type at the dos prompt

```
telnet
```

NOTE Early versions of Windows XP Telnet will initially only send a LF, not a CRLF. So the telnet port 5023 does not work. You can manually correct this situation by sending the escape sequence and then a CRLF. After connecting to the instrument, type in the telnet window:

- Crtl-] (press the control and] keys simultaneously)
- set crlf <enter key>
- <enter key>

You should now see the SCPI> prompt and you can continue working.

The Windows XP Service Pack 2 fixes this problem. You can get Service Pack 2 from the Microsoft Windows update website.

Unix Telnet Example:

To connect to the instrument with host name aaa and port number 5023, enter the following command:

```
telnet aaa 5023
```

When you connect to the instrument, it will display a welcome message and a command prompt. The instrument is now ready to accept your SCPI commands. As you type SCPI commands, query results appear on the next line. At any time, you can send a <device clear> by pressing `cntrl-c` on your keyboard. When you are done, break the telnet connection using your escape character, and type `quit`.

When the instrument responds with the welcome message and the SCPI prompt, you can immediately enter programming (SCPI) commands. Typical commands might be:

```
CALC:MARK:MODE POS
CALC:MARK:MAX
CALC:MARK:X?
```

The small program above sets the instrument to measure a signal amplitude by placing a marker on the maximum point of the trace, and then querying the instrument for the amplitude of the marker.

You need to press `Enter` after typing in each command. After pressing `Enter` on the last line in the example above, the instrument returns the amplitude level of the marker to your computer and displays it on the next line. For example, after typing `CALC:MARK:MAX?` and pressing `Enter`, the computer could display:

```
+2.5000000000000000E+010
```

When you are done, close the telnet connection. Enter the escape character to get the telnet prompt. The escape character (`Ctrl` and `"]` in this example) does not print.

At the telnet prompt, type `quit` or `close`.

The telnet connection closes and you see your regular prompt.

```
Connection closed.
```

The following example shows a terminal screen using the example commands above.

Telnet Example:

```
Welcome to at42
Agilent Technologies, E4440A, US41220095, A.02.04 20010921
10:52:07

SCPI>calc:mark:mode pos
SCPI>calc:mark:max
SCPI>calc:mark:x?
+2.5000000000000000E+010
SCPI>
```

NOTE

If your telnet connection is in a mode called “line-by-line,” there is no local echo. This means you will not be able to see the characters you are typing on your computer’s display until *after* you press the Enter key.

To remedy this, you need to change your telnet connection to “character-by-character” mode. This can be accomplished in most systems by escaping out of telnet to the `telnet>` prompt and then typing `mode char`. If this does not work, consult your telnet program’s documentation for how to change to “character-by-character” mode.

The Standard UNIX TELNET Command:

Synopsis `telnet [host [port]]`

Description The `telnet` command is used to communicate with another host using the TELNET protocol. When `telnet` is invoked with `host` or `port` arguments, a connection is opened to `host`, and input is sent from the user to `host`.

Options and Parameters `telnet` operates in line-by-line mode or in character-at-a-time mode. In line-by-line mode, typed text is first echoed on the screen. When the line is completed by pressing the **Enter** key, the text line is then sent to `host`. In character-at-a-time mode, text is echoed to the screen and sent to `host` as it is typed.

In some cases, if your `telnet` connection is in “line-by-line” mode, there is no local echo. This means you will not be able to see the characters you are typing on your computer's display until *after* you press the **Enter** key.

To remedy this, you need to change your `telnet` connection to “character-by-character” mode. This can be accomplished in most systems by escaping out of `telnet` to the `telnet>` prompt and then typing `mode char`. Consult your `telnet` program's documentation for how to change to “character-by-character” mode.

Using Socket LAN to Send Commands

Your instrument implements a sockets Applications Programming Interface (API) compatible with Berkeley sockets, Winsock, and other standard sockets APIs. You can write programs using sockets to control your instrument by sending SCPI commands to a socket connection you create in your program. Refer to [Using a Java™ Applet Over Socket LAN](#) in this chapter for example programs using sockets to control the instrument.

Setting Up Your Instrument for Socket Programming

Before you can use socket programming, you must identify your instrument's socket port number. The default is 5025.

1. Press **System, Config I/O, SCPI LAN, Socket Port**.
2. Notice that the port number you will use for your socket connection to the instrument is 5025.

NOTE You may need to enable the termination character attribute when using the VISA libraries for socket communication. If the termchar attribute is disabled, then no termination character is sent with the data and the bus will time out waiting for it. (Set vi_attr_termchar_en)

NOTE LAN “device clear” capability has not been implemented in firmware revision A.01.xx.

NOTE STATus bits that are already set when the socket connection is made cannot be read. Only status bit changes that occur after the socket connection is made will returned when the status register is queried.

Troubleshooting help:

You can verify that you can open a socket connection to your instrument by using telnet:

```
telnet <IP address> 5025
```

Characters typed from your keyboard won't be echoed from the instrument and the SCPI prompt won't be given. However, you will be able to send commands and query the instrument. For example, you can type *idn? and the instrument identification string will be returned.

Using SICL LAN to Control the Instrument

SICL LAN is a LAN protocol using the Standard Instrument Control Library (SICL). It provides control of your instrument over the LAN, using a variety of computing platforms, I/O interfaces, and operating systems. With SICL LAN, you control your remote instrument over the LAN with the same methods you use for a local instrument connected directly to the controller with the GPIB. More information about SICL LAN can be found in the *HP Standard Instrument Control Library* user's guide for HP-UX, part number E2091-90004.

Your instrument implements a SICL LAN *server*. To control the instrument, you need a SICL LAN *client* application running on a computer or workstation that is connected to the instrument over a LAN. Typical applications implementing a SICL LAN client include

- HP/Agilent VEE
- HP/Agilent BASIC
- National Instrument's LabView with HP/Agilent VISA/SICL client drivers

NOTE

The SICL LAN protocol is Agilent's implementation of the VXI-11 Instrument Protocol, defined by the VXIbus Consortium working group.

Older versions of National Instruments' VISA does not support the VXI-11 Instrument Protocol. Contact National Instruments for their latest version.

SICL LAN can be used with Windows 95, Windows 98, Windows NT, and HP-UX.

Your instrument has a SICL LAN server to emulate GPIB over LAN, but it cannot be used to control other externally connected GPIB instruments.

Collecting SICL LAN Set-up Information

Before you set up your instrument as a SICL LAN server, you need some information about your instrument. The "value" of the following parameters is used to set up your VISA/SICL LAN client application:

Emulated GPIB

Name The GPIB name is the name given to a device used to communicate with the instrument. Your instrument is shipped with `gpib7` as its GPIB name. The GPIB name is the same as the remote SICL address.

Emulated GPIB

Logical Unit The logical unit number is a unique integer assigned to the device to be controlled using SICL LAN. Your instrument is shipped with the logical unit number set

to 8.

This can't be change, but you don't care. Numbers 0 through 30, excluding 21, are valid logical unit numbers for your instrument. Logical unit number 21 is used for the instrument's internal emulation mode. (If you are using Agilent VEE and SICL LAN, the logical unit number is limited to the range of 0-8.)

Emulated GPIB

Address The emulated GPIB address (bus address) is assigned to the device to be controlled using SICL LAN. The instrument is shipped with the emulated GPIB address set to 18. The emulated GPIB address will always be 18, regardless of what you set the GPIB address to.

The SICL LAN server uses the GPIB name, GPIB logical unit number, and GPIB address configuration on the SICL LAN client to communicate with the client. You must match these parameters *exactly* (including case) when you set up the SICL LAN client and server.

Configuring Your Instrument as a SICL LAN Server

After you have collected the required information from the SICL LAN client, perform the following steps to set up your instrument as a SICL LAN server:

1. Identify the GPIB name.
Press **System, Config I/O, SICL Server, Emulated GPIB Name**, and notice that it is **gpib7**.
2. Notice that the **Emulated GPIB Logical Unit** is set to **8**.
3. Notice that the **Emulated GPIB Address** is set to **18**.

Configuring a PC as a SICL LAN Client

The descriptions here are based on Agilent's VISA revision G.02.02, model number 2094G. A copy of Agilent VISA instrument io libraries can be found on Agilent's website:

<http://www.agilent.com/find/iolib>

see also

<http://www.agilent.com/find/vee>

The VISA User's Guide information on LAN programming may also be useful, see:

<ftp://ftp.agilent.com/pub/mpusup/pc/binfiles/iop/index.html>

The following assumes a LAN connection between your computer and your instrument. This will not work for the GPIB to LAN gateway.

1. Install VISA revision G.02.02 or higher.

2. Run I/O configuration.
3. Select LAN Client from the available interface types.
4. Press Configure.
5. Enter an interface name, such as lan1.
6. Enter a logical unit number, such as 7.
7. Select Okay.
8. Select VISA LAN Client from the available interface types.
9. Press Configure.
10. Enter a VISA interface name, such as GPIB1.
11. Enter the host name or IP address of your instrument in the host name field, such as aaa.companyname.com or 137.12.255.755.

NOTE

Changing the host name in your instrument does not change your LAN system representation of the host name. You must work through your local system administrator to change the host name on your LAN system and then change it to match in your instrument.

12. Enter a Remote SICL address, such as GPIB7.
13. Set the LAN interface to match the defined LAN client.
14. Select OK.
15. Close I/O Configuration by selecting OK.

Controlling Your Instrument with SICL LAN and HP/Agilent VEE

Before you can use SICL LAN with VEE, you need to set up VISA/SICL LAN I/O drivers for use with your VEE application. Consult your VEE documentation for information how to do this.

NOTE

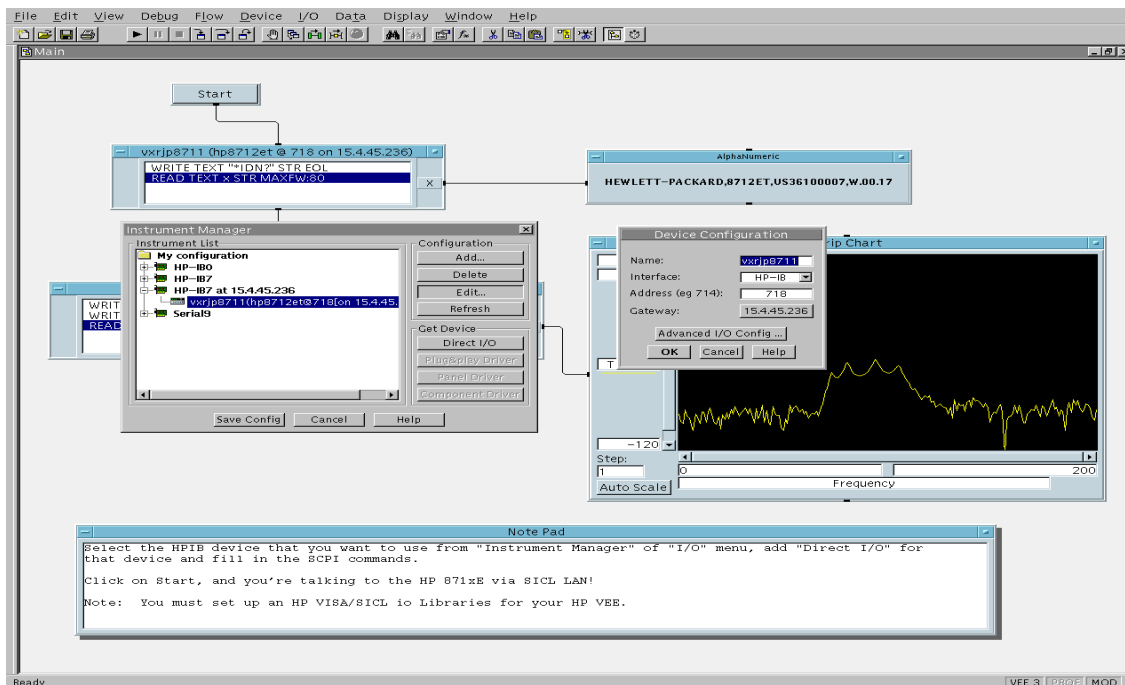
If you are using Agilent VEE and SICL LAN, the logical unit number is limited to the range of 0-8.

The logical unit number is the same as the interface select code (ISC). VEE reserves ISC values 9-18, and does not allow you to use them for SICL/LAN communications with your instrument. VEE also does not allow any ISC values higher than 18.

After you have the VISA/SICL LAN I/O drivers installed, perform the steps below to set up VEE to control your instrument:

1. On your computer or workstation, select I/O | Instrument Manager.
2. Add a new GPIB device with an address of 7XX, where XX is the GPIB device address from your instrument.

Figure 5-1 Adding Your Instrument as a VEE Device



To send SCPI commands to the instrument, select I/O | Instrument Manager, and the GPIB device just added. Select Direct I/O. You can now type SCPI commands in the command window, and they are sent over the LAN to your instrument.

Controlling Your Instrument with SICL LAN and Agilent BASIC for Windows

Before you can use Agilent BASIC for Windows with SICL LAN, you need to set up VISA/SICL LAN I/O drivers for use with your BASIC applications. Consult your BASIC documentation for information how to do this.

To set up SICL LAN for BASIC, add the following statement to your AUTOST program (all on a single line):

```
LOAD BIN "GPIBS;DEV lan[analyzer IP address]:GPIB name TIME 30 ISC 7"
```

Replace analyzer IP address with the IP address of your instrument, GPIB name with the GPIB name given to your instrument, and 7 with the logical unit number.

For example, the following LOAD statement should be added to your AUTOST program for the parameters listed below:

instrument IP address **191.108.344.225**

instrument GPIB name **inst0**

logical unit number **7**

timeout value (seconds) **30**

LOAD statement (all on a single line)

```
LOAD BIN "GPIBS;DEV lan[191.108.344.225]:inst0 TIME 30 ISC 7"
```

Consult your BASIC documentation to learn how to load the SICL driver for BASIC.

After the SICL driver is loaded, you control your instrument using commands such as the following:

```
OUTPUT 718; "*IDN?"  
ENTER 718; S$
```

where 18 is the device address for the instrument.

See the BASIC example program in this chapter for more information.

Controlling Your Instrument with SICL LAN and BASIC for UNIX (Rocky Mountain BASIC)

Before you can use Rocky Mountain Basic (HPRMB) with SICL LAN, you will need to set up the SICL LAN I/O drivers for HPRMB. Consult your system administrator for details.

Create a `.rmbrc` file in your root directory of your UNIX workstation with the following entries:

```
SELECTIVE_OPEN=ON  
Interface 8= "lan[analyzer IP address]:GPIB name";NORMAL
```

Replace `analyzer IP address` with the IP address of your instrument, and `GPIB name` with the GPIB name given to your instrument. Also replace the "8" of `Interface 8` with the logical unit number. Consult your HPRMB documentation for the exact syntax.

After your SICL driver is configured correctly on your UNIX workstation, you control your instrument using commands such as the following:

```
OUTPUT 818; "*IDN?"  
ENTER 818; S$
```

where 18 is the device address for the instrument.

Using HP/Agilent VEE Over Socket LAN

(There is a VEE example program provided on the documentation CD-ROM.)

(There is a LabView example program provided on the documentation CD-ROM.)

To control your instrument via socket LAN using VEE, click on the VEE menu titled "I/O." Then select "To/From Socket" and position the I/O object box on the screen. Fill in the following fields:

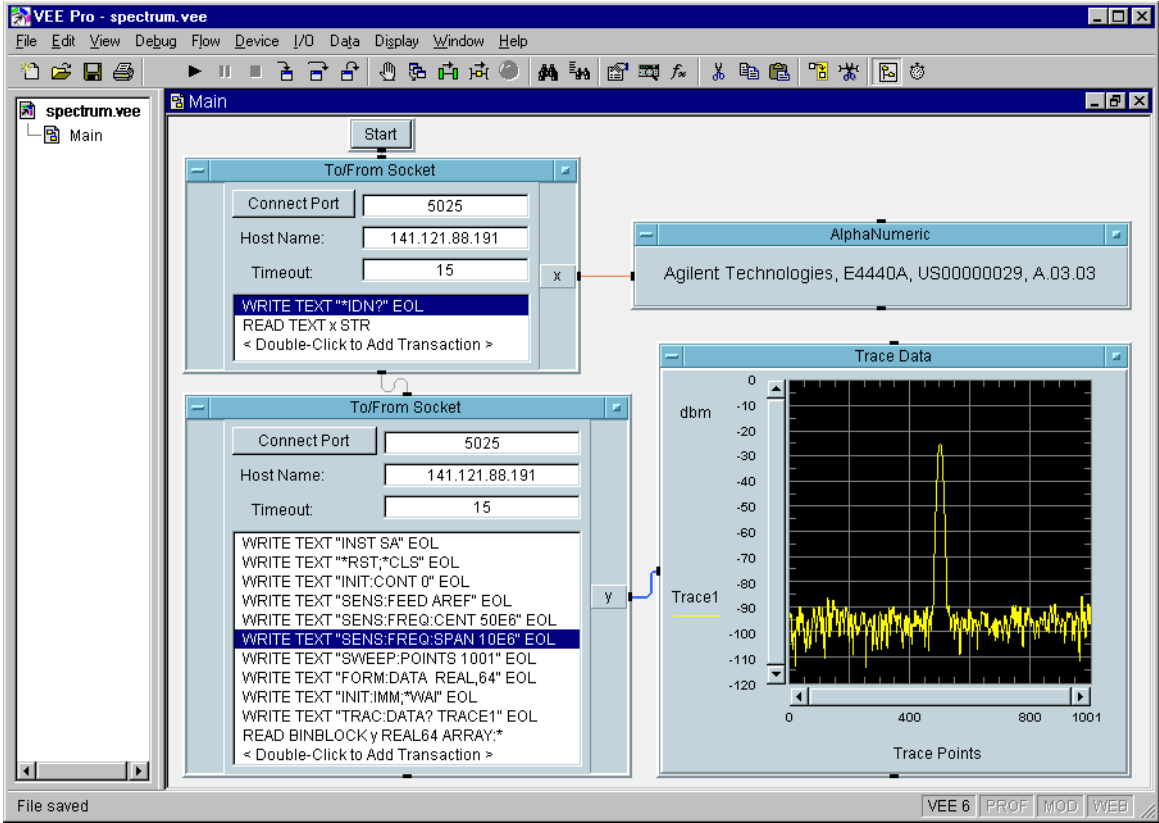
```
Connect Port: 5025
Host Name:    <your_hostname>
Timeout:     15
```

For faster troubleshooting, you may want to set the timeout to a smaller number. If the host name you enter doesn't work, try using the IP address of your instrument (example: 191.108.43.5). Using the IP address rather than the hostname may also be faster. See [Figure 1](#) for an example of an VEE screen.

NOTE

Changing the host name in the instrument does not change your LAN system's representation of the host name. You must work through your local system administrator to change the host name on your LAN system.

Figure 1 Sample VEE Screen



Using a Java™ Applet Over Socket LAN

There is a programming example in the *PSA Measurement Guide and Programming Examples* that demonstrates simple socket programming with Java. It is written in Java programming language, and will compile with Java compilers versions 1.0 and above.

This program is also on the documentation CD ROM that shipped with your product.

Using a C Program Over Socket LAN

The *PSA Measurement Guide and Programming Examples* book contains two examples of simple LAN socket programs. They are written in C. One compiles in the HP-UX UNIX environment and one is written for the WIN32 environment.

In UNIX, LAN communication via sockets is very similar to reading or writing a file. The only difference is the `openSocket()` routine, which uses a few network library routines to create the TCP/IP network connection. Once this connection is created, the standard `fread()` and `fwrite()` routines are used for network communication.

In Windows, the routines `send()` and `recv()` *must* be used, because `fread()` and `fwrite()` may not work on sockets.

NOTE

You may need to enable the termination character attribute when using the VISA libraries for socket communication. If the `termchar` attribute is disabled, then no termination character is sent with the data and the bus will time out waiting for it. (Set `vi_attr_termchar_en`)

General LAN Troubleshooting

- [“Troubleshooting the Initial Connection”](#) on page 5-344
- [“Common Problems After a Connection is Made”](#) on page 5-346
- [“Pinging the Instrument from a Computer or Workstation”](#) on page 5-348
- [“EIA/TIA 568B Wiring Information”](#) on page 5-350

Troubleshooting the Initial Connection

Getting the instrument to work with your network often requires detailed knowledge of your local network software. This section attempts to help you with some common problems. Contact your network administrator for additional assistance.

The instrument LAN interface does not need or include any proprietary driver software. It was designed to operate with common network utilities and drivers.

Either a hardware problem or a software problem can prevent the instrument's remote file server from communicating over the LAN. The following common problems may be encountered:

Communications Not Established If you have just installed and configured the LAN interface and you have never been able to access the instrument via ftp or telnet, go directly to [“Pinging the Instrument from a Computer or Workstation” on page 5-348.](#)

If you have previously been able to access the instrument via ftp or telnet and now cannot do so, check the following:

- o Has any hardware been added or moved on your network? This includes adding or removing any workstations or peripherals, or changing any cabling.
- o Have software applications been added to the network?
- o Has the functionality been turned off from the front panel? Press **System, Config I/O, SCPI LAN.**
- o Have any configuration files been modified? Pressing **System, Restore Sys Defaults** restores the original factory defaults and you will have to re-set the instrument IP address and host name.
- o Is the upper- and lower-case character usage in your host name consistent?
- o Have any of the following files been deleted or overwritten?

UNIX:

- /etc/hosts
- /etc/inetd.conf
- /etc/services

PCs:

- dependent network files

If you know or suspect that something has changed on your network, consult with your network administrator.

Timeout Errors Timeout errors such as “Device Timeout,” “File Timeout,” and “Operation Timeout,” are symptoms of one or both of the following problems:

- The currently configured timeout limits are too short compared to the time it takes the LAN to complete some operations. This problem may occur during periods of increased LAN traffic.
- The LAN connection has failed, or fails occasionally.

To increase your timeout period, refer to your computer documentation for instructions. Contact your LAN administrator if

problems continue.

Packets Routinely Lost If packets are routinely lost, proceed to the troubleshooting section in this chapter relating to your network.

Problems Transferring or Copying Files If you have problems copying files out of or into the instrument, you might be experiencing timeout problems. See the previous section on “Timeout Errors.”

Common Problems After a Connection is Made

This section describes common problems you may encounter when using the instrument on a LAN. It assumes you have been able to connect to the instrument in the past. If this is not so, refer to the previous sections first.

NOTE Pressing **Preset** does not affect LAN settings, but pressing **System, Restore Sys Defaults** will reset to the original factory defaults. You will then have to re-set the instrument IP address and other LAN settings in **System, Config I/O**.

NOTE Remember that in any type of programming using LAN you should avoid constantly opening and closing connections. This uses up processing resources, adds to your system overhead, and can cause problems with asynchronous implementation of successive commands. When you are sending the instrument multiple commands: open the connection, send all the commands, and close the connection.

Cannot connect to the analyzer

- If you suspect a bad LAN connection between your computer and instrument, you can verify the network connection by using the ping command described later in this chapter or another similar echo request utility.
- If a bad connection is revealed, try the following solutions:
 - Make sure the instrument is turned on.
 - Check the physical connection to the LAN.
 - Make sure the internet (IP) Address of the instrument is set up correctly in the LAN port setup menu. (Press **System, Config I/O, IP Address**.)
 - When connecting to your instrument over a closed network (directly through a hub or crossover cable) it may help to set the instrument to its default settings for subnet mask and gateway. (subnet mask: 255.255.0.0, gateway 0.0.0.0)
 - If the instrument and the computer are on different networks or subnets, make sure the gateway address and subnet mask values

are set correctly.

Cannot access the file system via ftp

- If you get a "connection refused" message, try the following solutions:
 - If the power to the instrument was just turned on, make sure that you wait about 25 seconds before attempting the connection.
- If you get a "connection timed out" message
 - Verify the LAN connection between your computer and the instrument. Refer to "If you cannot connect to the instrument" earlier in this section.

Cannot telnet to the command parser port

- For a "connection refused" message
 - Check the telnet port number from the front panel keys.
- For a "connection timed out" or "no response from host" message
 - Verify the LAN connection between your computer and the instrument. Refer to "If you cannot connect to the instrument" earlier in this section.
- For a "connection refused" or "no response from host" message
 - If the instrument was just turned on, make sure that you wait about 25 seconds before attempting the connection.

An "operation timed-out" message

- Check the LAN connection between the computer and the instrument. Refer to "If you cannot connect to the instrument" in this section.
- Increase the file time-out value on your PC or workstation.

Cannot access internal web pages or import graphic images when using a point-to-point connection

- Disable the use of proxy servers. You may have to specify this in a number of locations, depending on the operating system and software you are using.
- Disable the use of cached copies of web pages to ensure that you always get a new copy of the instrument's screen image.

If all else fails

- Contact your network administrator.
- If you still cannot solve the problem, contact an Agilent Service Center for repair information.

Pinging the Instrument from a Computer or Workstation

Verify the communications link between the computer and the instrument remote file server using the ping utility.

From a UNIX workstation, type:

```
ping hostname 64 10
```

where 64 is the packet size, and 10 is the number of packets transmitted.

From a DOS or Windows environment, type:

```
ping hostname 10
```

where 10 is the number of echo requests.

Normal Response for UNIX

A normal response to the ping will be a total of 9, 10, or possibly 11 packets received with a minimal average round-trip time. The minimal average will be different from network to network. LAN traffic will cause the round-trip time to vary widely.

Because the number of packets received depends on your network traffic and integrity, the normal number might be different for your network.

Normal Response for DOS or Windows

A normal response to the ping will be a total of 9, 10, or possibly 11 packets received if 10 echo requests were specified.

Because the number of packets received depends on your network traffic and integrity, the normal number might be different for your network.

Error Messages

If error messages appear, then check the command syntax before continuing with the troubleshooting. If the syntax is correct, then resolve the error messages using your network documentation, or by consulting your network administrator.

If an unknown host error message appears, then check that the host name and IP address for your instrument are correctly entered from the front panel. Press **System, Config I/O**.

No Response No packets received indicates no response from a ping.

If there is no response, try typing in the IP address with the ping command, instead of using the host name. Check that the typed address matches the IP address assigned in the **System, Config I/O** menu, then check the other addresses in the menu.

Check that the host name and IP address are correctly entered in

the node names database.

If you are using a UNIX environment, ping each node along the route between your workstation and the instrument, starting with the your workstation. Ping each gateway, then attempt a ping of the remote file server.

If the instrument still does not respond to ping, then you should suspect a hardware problem with the instrument. To check the instrument performance, refer to "Verify the Instrument Performance" in this chapter.

Intermittent Response If you received 1 to 8 packets back, there is probably a problem with the network. Because the number of packets received depends on your network traffic and integrity, the number might be different for your network.

Use a LAN analyzer or LAN management software to monitor activity and determine where bottlenecks or other problems are occurring. The instrument will still function, but communications over the LAN will be slower.

On a single-client/single-server network, the most likely cause of intermittent response to an echo request is a hardware problem with the LAN module installed in the PC, the cable, or the instrument. To check the instrument, refer to "Verify the Instrument Performance" later in this chapter.

The Standard UNIX PING Command Synopsis `ping [-r] [-v] [-o] host [packetsize] [count]`

Description The ping command sends an echo request packet to the host once per second. Each echo response packet that is returned is listed on the screen, along with the round-trip time of the echo request and echo response.

Options and Parameters -r Bypasses the routing tables, and sends the request directly to the host.

-v Reports all packets that are received, including the response packets.

-o Requests information about the network paths taken by the requests and responses.

host The host name or IP address.

packetsize The size of each packet (8 bytes - 4096 bytes).

count The number of packets to send before ending ping (1-(2³¹-1)). If count is not specified, ping sends packets until interrupted.

EIA/TIA 568B Wiring Information

Table 5-3 Straight-Through Cable (Unshielded-twisted-pair (UTP) cable with RJ-45 connectors)

Standard, Straight-Through Wiring (each end)			
Signal Name	RJ-45 Pin #	Wire Color	Pair #
RX+	1	white/orange	2
RX-	2	orange	
TX+	3	white/green	3
TX-	6	green	
Not Used	4	blue	1
	5	white/blue	
	7	white/brown	4
	8	brown	

Table 5-4 Cross-Over Cable (Unshielded-twisted-pair (UTP) cable with RJ-45 connectors)

Cross-Over Wiring ^a			
Connector A		Connector B	
Signal Name	RJ-45 Pin #	RJ-45 Pin #	Signal Name
RX+	1	3	TX+
RX-	2	6	TX-
TX+	3	1	RX+
TX-	6	2	RX-
Not Used	4	4	Not Used
	5	5	
	7	7	
	8	8	

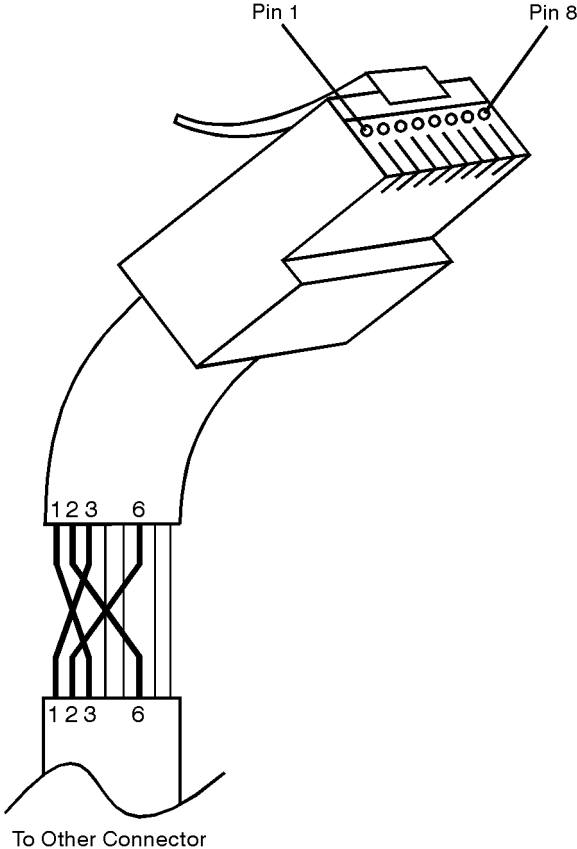
a. Either end of this cable can be used at the instrument or LAN device. The connector names are a convention useful during cable construction only.

This cable can be used to cascade hubs or to make point-to-point connections without a LAN hub.

NOTE A convenient way to make a cross-over adapter is to use two RJ-45 *jacks* wired according to [Table 5-4](#), above. Standard straight-through patch cables can then be used from the instrument to the adapter, and from the adapter to other LAN devices. If you use a special-purpose adapter, you will avoid having a cross-over cable mistaken for a standard, straight-through patch cable.

NOTE Some commercially-available cross-over cables do not implement the cross-over wiring required for your instrument. Please refer to [Table 5-4](#), above, and verify all connections before using cables not made by Agilent Technologies.

Figure 5-2 Cross-Over Patch Cable Wiring (cross-over end)



sd623c

Programming in C Using the VTL

The programming examples that are provided are written using the C programming language and the Agilent VTL (VISA transition library). This section includes some basic information about programming in the C language. Note that some of this information may not be relevant to your particular application. (For example, if you are not using VXI instruments, the VXI references will not be relevant).

Refer to your C programming language documentation for more details. (This information is taken from the manual “VISA Transition Library”, part number E2090-90026.) The following topics are included:

- “Typical Example Program Contents” on page 352
- “Linking to VTL Libraries” on page 353
- “Compiling and Linking a VTL Program” on page 353
- “Example Program” on page 355
- “Including the VISA Declarations File” on page 355
- “Opening a Session” on page 355
- “Device Sessions” on page 356
- “Addressing a Session” on page 357
- “Closing a Session” on page 359

Typical Example Program Contents

The following is a summary of the VTL function calls used in the example programs.

<code>visa.h</code>	This file is included at the beginning of the file to provide the function prototypes and constants defined by VTL.
<code>ViSession</code>	The <code>ViSession</code> is a VTL data type. Each object that will establish a communication channel must be defined as <code>ViSession</code> .
<code>viOpenDefaultRM</code>	You must first open a session with the default resource manager with the <code>viOpenDefaultRM</code> function. This function will initialize the default resource manager and return a pointer to that resource manager session.
<code>viOpen</code>	This function establishes a communication channel with the device specified. A session identifier that can be used with other VTL functions is returned. This call must be made for each device you will be using.
<code>viPrintf</code> <code>viScanf</code>	These are the VTL formatted I/O functions that are patterned after those used in the C programming

language. The `viPrintf` call sends the IEEE 488.2 *RST command to the instrument and puts it in a known state. The `viPrintf` call is used again to query for the device identification (*IDN?). The `viScanf` call is then used to read the results.

`viClose` This function must be used to close each session. When you close a device session, all data structures that had been allocated for the session will be de-allocated. When you close the default manager session, all sessions opened using the default manager session will be closed.

Linking to VTL Libraries

Your application must link to one of the VTL import libraries:

32-bit Version:

C:\VXIIPNP\WIN95\LIB\MSC\VISA32.LIB for Microsoft compilers

C:\VXIIPNP\WIN95\LIB\BC\VISA32.LIB for Borland compilers

16-bit Version:

C:\VXIIPNP\WIN\LIB\MSC\VISA.LIB for Microsoft compilers

C:\VXIIPNP\WIN\LIB\BC\VISA.LIB for Borland compilers

See the following section, “[Compiling and Linking a VTL Program](#)” for information on how to use the VTL run-time libraries.

Compiling and Linking a VTL Program

32-bit Applications

The following is a summary of important compiler-specific considerations for several C/C++ compiler products when developing WIN32 applications.

For Microsoft Visual C++ version 2.0 compilers:

- Select Project | Update All Dependencies from the menu.
- Select Project | Settings from the menu. Click on the C/C++ button. Select Code Generation from the Use Run-Time Libraries list box. VTL requires these definitions for WIN32. Click on OK to close the dialog boxes.
- Select Project | Settings from the menu. Click on the Link button and add `visa32.lib` to the Object / Library Modules list box. Optionally, you may add the library directly to your project file. Click on OK to close the dialog boxes.
- You may wish to add the include file and library file search paths.

They are set by doing the following:

1. Select `Tools | Options` from the menu.
2. Click on the `Directories` button to set the include file path.
3. Select `Include Files` from the `Show Directories For` list box.
4. Click on the `Add` button and type in the following:
`C:\VXIPNP\WIN95\INCLUDE`
5. Select `Library Files` from the `Show Directories For` list box.
6. Click on the `Add` button and type in the following:
`C:\VXIPNP\WIN95\LIB\MSC`

For Borland C++ version 4.0 compilers:

- You may wish to add the include file and library file search paths. They are set under the `Options | Project` menu selection. Double click on `Directories` from the `Topics` list box and add the following:

```
C:\VXIPNP\WIN95\INCLUDE  
C:\VXIPNP\WIN95\LIB\BC
```

16-bit Applications

The following is a summary of important compiler-specific considerations for the Windows compiler.

For Microsoft Visual C++ version 1.5:

- To set the memory model, do the following:
 1. Select `Options | Project`.
 2. Click on the `Compiler` button, then select `Memory Model` from the `Category` list.
 3. Click on the `Model` list arrow to display the model options, and select `Large`.
 4. Click on `OK` to close the `Compiler` dialog box.
- You may wish to add the include file and library file search paths. They are set under the `Options | Directories` menu selection:

```
C:\VXIPNP\WIN\INCLUDE  
C:\VXIPNP\WIN\LIB\MSC
```

Otherwise, the library and include files should be explicitly specified in the project file.

Example Program

This example program queries a GPIB device for an identification string and prints the results. Note that you must change the address.

```

/*idn.c - program filename */

#include "visa.h"
#include <stdio.h>

void main ()
{
    /*Open session to GPIB device at address 18 */
    ViOpenDefaultRM (&defaultRM);
    ViOpen (defaultRM, GPIB0::18::INSTR", VI_NULL,
           VI_NULL, &vi);

    /*Initialize device */
    viPrintf (vi, "*RST\n");

    /*Send an *IDN? string to the device */
    printf (vi, "*IDN?\n");

    /*Read results */
    viScanf (vi, "%t", &buf);

    /*Print results */
    printf ("Instrument identification string: %s\n", buf);

    /* Close sessions */
    viClose (vi);
    viClose (defaultRM);
}

```

Including the VISA Declarations File

For C and C++ programs, you must include the `visa.h` header file at the beginning of every file that contains VTL function calls:

```
#include "visa.h"
```

This header file contains the VISA function prototypes and the definitions for all VISA constants and error codes. The `visa.h` header file includes the `visatype.h` header file.

The `visatype.h` header file defines most of the VISA types. The VISA types are used throughout VTL to specify data types used in the functions. For example, the `viOpenDefaultRM` function requires a pointer to a parameter of type `ViSession`. If you find `ViSession` in the `visatype.h` header file, you will find that `ViSession` is eventually typed as an unsigned long.

Opening a Session

A session is a channel of communication. Sessions must first be opened

on the default resource manager, and then for each device you will be using. The following is a summary of sessions that can be opened:

- A **resource manager session** is used to initialize the VISA system. It is a parent session that knows about all the opened sessions. A resource manager session must be opened before any other session can be opened.
- A **device session** is used to communicate with a device on an interface. A device session must be opened for each device you will be using. When you use a device session you can communicate without worrying about the type of interface to which it is connected. This insulation makes applications more robust and portable across interfaces. Typically a device is an instrument, but could be a computer, a plotter, or a printer.

NOTE

All devices that you will be using need to be connected and in working condition prior to the first VTL function call (`viOpenDefaultRM`). The system is configured only on the *first* `viOpenDefaultRM` per process. Therefore, if `viOpenDefaultRM` is called without devices connected and then called again when devices are connected, the devices will not be recognized. You must close **ALL** resource manager sessions and re-open with all devices connected and in working condition.

Device Sessions

There are two parts to opening a communications session with a specific device. First you must open a session to the default resource manager with the `viOpenDefaultRM` function. The first call to this function initializes the default resource manager and returns a session to that resource manager session. You only need to open the default manager session once. However, subsequent calls to `viOpenDefaultRM` returns a session to a unique session to the same default resource manager resource.

Next, you open a session with a specific device with the `viOpen` function. This function uses the session returned from `viOpenDefaultRM` and returns its own session to identify the device session. The following shows the function syntax:

```
viOpenDefaultRM (sesn);  
viOpen (sesn, rsrcName, accessMode, timeout, vi);
```

The session returned from `viOpenDefaultRM` must be used in the *sesn* parameter of the `viOpen` function. The `viOpen` function then uses that session and the device address specified in the *rsrcName* parameter to open a device session. The *vi* parameter in `viOpen` returns a session identifier that can be used with other VTL functions.

Your program may have several sessions open at the same time by

creating multiple session identifiers by calling the `viOpen` function multiple times.

The following summarizes the parameters in the previous function calls:

<i>sesn</i>	This is a session returned from the <code>viOpenDefaultRM</code> function that identifies the resource manager session.
<i>rsrcName</i>	This is a unique symbolic name of the device (device address).
<i>accessMode</i>	This parameter is not used for VTL. Use <code>VI_NULL</code> .
<i>timeout</i>	This parameter is not used for VTL. Use <code>VI_NULL</code> .
<i>vi</i>	This is a pointer to the session identifier for this particular device session. This pointer will be used to identify this device session when using other VTL functions.

The following is an example of opening sessions with a GPIB multimeter and a GPIB-VXI scanner:

```
ViSession defaultRM, dmm, scanner;
.
.
viOpenDefaultRM(&defaultRM);
viOpen (defaultRM, "GPIB0::22::INSTR", VI_NULL,
        VI_NULL, &dmm);
viOpen (defaultRM, "GPIB-VXI0::24::INSTR", VI_NULL,
        VI_NULL, &scanner);
.
.
viClose (scanner);
viClose (dmm);
viClose (defaultRM);
```

The above function first opens a session with the default resource manager. The session returned from the resource manager and a device address is then used to open a session with the GPIB device at address 22. That session will now be identified as **dmm** when using other VTL functions. The session returned from the resource manager is then used again with another device address to open a session with the GPIB-VXI device at primary address 9 and VXI logical address 24. That session will now be identified as **scanner** when using other VTL functions. See the following section for information on addressing particular devices.

Addressing a Session

As seen in the previous section, the *rsrcName* parameter in the `viOpen` function is used to identify a specific device. This parameter is made up of the VTL interface name and the device address. The interface name is determined when you run the VTL Configuration Utility. This name

is usually the interface type followed by a number. The following table illustrates the format of the *rsrcName* for the different interface types:

Interface	Syntax
VXI	VXI [<i>board</i>]::VXI logical address[::INSTR]
GPIB-VXI	GPIB-VXI [<i>board</i>]::VXI logical address[::INSTR]
GPIB	GPIB [<i>board</i>]::primary address[::secondary address[::INSTR]]

The following describes the parameters used above:

board This optional parameter is used if you have more than one interface of the same type. The default value for *board* is 0.

VXI logical address This is the logical address of the VXI instrument.

primary address This is the primary address of the GPIB device.

secondary address This optional parameter is the secondary address of the GPIB device. If no secondary address is specified, none is assumed.

INSTR This is an optional parameter that indicates that you are communicating with a resource that is of type **INSTR**, meaning instrument.

NOTE If you want to be compatible with future releases of VTL and VISA, you must include the INSTR parameter in the syntax.

The following are examples of valid symbolic names:

XI0::24::INSTR Device at VXI logical address 24 that is of VISA type INSTR.

VXI2::128 Device at VXI logical address 128, in the third VXI system (VXI2).

GPIB-VXI0::24 A VXI device at logical address 24. This VXI device is connected via a GPIB-VXI command module.

GPIB0::7::0 A GPIB device at primary address 7 and secondary address 0 on the GPIB interface.

The following is an example of opening a device session with the GPIB device at primary address 23.

```
ViSession defaultRM, vi;
.
.
```

```
viOpenDefaultRM (&defaultRM);  
viOpen (defaultRM, "GPIB0::23::INSTR", VI_NULL, VI_NULL, &vi);  
. .  
viClose (vi);  
viClose (defaultRM);
```

Closing a Session

The `viClose` function must be used to close each session. You can close the specific device session, which will free all data structures that had been allocated for the session. If you close the default resource manager session, all sessions opened using that resource manager will be closed.

Since system resources are also used when searching for resources (`viFindRsrc`) or waiting for events (`viWaitOnEvent`), the `viClose` function needs to be called to free up find lists and event contexts.

Overview of the GPIB Bus

An instrument that is part of a GPIB network is categorized as a listener, talker, or controller, depending on its current function in the network.

Listener	A listener is a device capable of receiving data or commands from other instruments. Any number of instruments in the GPIB network can be listeners simultaneously.
Talker	A talker is a device capable of transmitting data or commands to other instruments. To avoid confusion, a GPIB system allows only one device at a time to be an active talker.
Controller	A controller is an instrument, typically a computer, capable of managing the various GPIB activities. Only one device at a time can be an active controller.

GPIB Command Statements

Command statements form the nucleus of GPIB programming. They are understood by all instruments in the network. When combined with the programming language codes, they provide all management and data communication instructions for the system. Refer to the your programming language manual and your computers I/O programming manual for more information.

The seven fundamental command functions are as follows:

- An abort function that stops all listener/talker activity on the interface bus, and prepares all instruments to receive a new command from the controller. Typically, this is an initialization command used to place the bus in a known starting condition (sometimes called: abort, abortio, reset, halt).
- A remote function that causes an instrument to change from local control to remote control. In remote control, the front panel keys are disabled except for the Local key and the line power switch (sometimes called: remote, resume).
- A local lockout function, that can be used with the remote function, to disable the front panel Local key. With the Local key disabled, only the controller (or a hard reset by the line power switch) can restore local control (sometimes called: local lockout).
- A local function that is the complement to the remote command, causing an instrument to return to local control with a fully enabled front panel (sometimes called: local, resume).

- A clear function that causes all GPIB instruments, or addressed instruments, to assume a cleared condition. The definition of clear is unique for each instrument (sometimes called: clear, reset, control, send).
- An output function that is used to send function commands and data commands from the controller to the addressed instrument (sometimes called: output, control, convert, image, iobuffer, transfer).
- An enter function that is the complement of the output function and is used to transfer data from the addressed instrument to the controller (sometimes called: enter, convert, image, iobuffer, on timeout, set timeout, transfer).

6 Using the STATus System

When you are programming the instrument you may need to monitor instrument status to check for error conditions or monitor changes. You can determine the state of certain instrument events/conditions by programming the status register system. IEEE common commands (those beginning with *) access the higher-level summary registers. To access the information from specific registers you would use the STATus commands.

Status System Commands

The chapter includes:

- A description of the status registers and their heirarchy
- Instructions on using the registers and commands
- Complete descriptions of the commands

IEEE (*) Commands	
*CAL?	Calibration Query
*CLS	Clear Status
*ESE <number>, *ESE?	Standard Event Status Enable
*ESR?	Standard Event Status Register Query
*IDN?	Identification Query
*OPC	Operation Complete Command
*OPC?	Operation Complete Query
*OPT?	Option Information Query
*RCL <register>	Recall Instrument State
*RST	Reset the Instrument
*PSC, *PSC?	Power-on Status Complete
*SAV <register>	Save Instrument State
*SRE <number>, *SRE?	Service Request Enable
*STB?	Read Status Byte Query
*TRG	Trigger a Sweep/Measurement
*TST?	Self-test Query
*WAI	Wait-to-Continue

STATUS Commands	
Operation Registers	STATUS:OPERation:<keyword>
	Operation Condition Query
	Operation Enable
	Operation Event Query
	Operation Negative Transition

STATUS Commands	
	Operation Positive Transition
Preset the Status Bytes	STATUS:PRESet
Status Registers	STATUS:QUESTionable:<keyword>
	Questionable Condition
	Questionable Enable
	Questionable Event Query
	Questionable Negative Transition
	Questionable Positive Transition
Calibration Registers	STATUS:QUESTionable:CALibration:<keyword>
	Questionable Calibration Condition
	Questionable Calibration Enable
	Questionable Calibration Event Query
	Questionable Calibration Negative Transition
	Questionable Calibration Positive Transition
Frequency Registers	STATUS:QUESTionable:FREQuency:<keyword>
	Questionable Frequency Condition
	Questionable Integrity Enable
	Questionable Frequency Event Query
	Questionable Frequency Negative Transition
	Questionable Frequency Positive Transition
Integrity Registers	STATUS:QUESTionable:INTEgrity:<keyword>
	Questionable Integrity Condition
	Questionable Integrity Event Query
	Questionable Integrity Event Query
	Questionable Integrity Negative Transition
	Questionable Integrity Positive Transition
Signal Integrity Registers	STATUS:QUESTionable:INTEgrity:SIGNAL:<keyword>
	Questionable Integrity Signal Condition
	Questionable Integrity Signal Enable
	Questionable Integrity Signal Event Query

STATUS Commands	
	Questionable Integrity Signal Negative Transition
	Questionable Integrity Signal Positive Transition
Calibration Integrity Registers	STATUS:QUESTIONABLE:INTEGRITY:UNCALIBRATED:<keyword>
	Questionable Calibration Integrity Condition
	Questionable Calibration Integrity Enable
	Questionable Calibration Integrity Event Query
	Questionable Calibration Integrity Negative Transition
	Questionable Calibration Integrity Positive Transition
Power Registers	STATUS:QUESTIONABLE:POWER:<keyword>
	Questionable Power Condition
	Questionable Power Enable
	Questionable Power Event Query
	Questionable Power Negative Transition
	Questionable Power Positive Transition
Temperature Registers	STATUS:QUESTIONABLE:TEMPERATURE:<keyword>
	Questionable Temperature Condition
	Questionable Temperature Enable
	Questionable Temperature Event Query
	Questionable Temperature Negative Transition
	Questionable Temperature Positive Transition

Using the Status Registers

Figure on page 373 shows the PSA instrument status registers and their hierarchy. Note that the some measurement personality Modes use the E4406A status register design instead of the PSA design. (These include Basic Mode, NADC/PDC, GSM/EDGE, cdmaOne, cdma2000/1xEV-DV, W-CDMA/HSDPA and 1xEV-DO.)

- “What Status Registers Are” on page 367
- “Why to Use the Status Registers” on page 369
- “Using a Status Register” on page 370
- “Using the Service Request (SRQ) Method” on page 371
- “PSA Core Status Register System” on page 373
- “Standard Event Status Register” on page 378
- “Operation and Questionable Status Registers” on page 380

What Status Registers Are

The status system comprises of multiple registers that are arranged in a hierarchical order. The lower-level status registers propagate their data to the higher-level registers in the data structures by means of summary bits. The status byte register is at the top of the hierarchy and contains general status information for the instrument’s events and conditions. All other individual registers are used to determine the specific events or conditions.

The operation and questionable status registers are sets of registers that monitor the overall instrument condition. They are accessed with the STATUS:OPERation and STATUS:QUEStionable commands in the STATUS command subsystem. Each register set is made up of five registers:

Condition Register it reports the real-time state of the signals monitored by this register set. There is no latching or buffering for a condition register.

Positive Transition Register this filter register controls which signals will set a bit in the event register when the signal makes a low to high transition (when the condition bit changes from 0 to 1).

Negative Transition Register this filter register controls which signals will set a bit in the event register when the signal makes a high to low transition (when the condition bit changes from 1 to 0).

Event Register it latches any signal state changes, in the way

specified by the filter registers. Bits in the event register are never cleared by signal state changes. Event registers are cleared when read. They are also cleared by *CLS and by presetting the instrument.

Event Enable Register it controls which of the bits, being set in the event register, will be summarized as a single output for the register set. Summary bits are then used by the next higher register.

The STATUS:QUESTIONable registers report abnormal operating conditions. The status register hierarchy is:

1. The summary outputs from the six STATUS:QUESTIONable:<keyword> detail registers are inputs to the STATUS:QUESTIONable register.
2. The summary output from the STATUS:QUESTIONable register is an input to the Status Byte Register. See the [Figure on page 373](#).

The STATUS:OPERation register set has no summarized inputs. The inputs to the STATUS:OPERation:CONDition register indicate the real time state of the instrument. The STATUS:OPERation:EVENT register summary output is an input to the Status Byte Register.

What Status Register SCPI Commands Are

Most monitoring of the instrument conditions is done at the highest level using the IEEE common commands indicated below. Complete command descriptions are available in the IEEE commands section at the beginning of the language reference. Individual status registers can be set and queried using the commands in the STATUS subsystem of the language reference.

*CLS (clear status) clears the status byte by emptying the error queue and clearing all the event registers.

*ESE, *ESE? (event status enable) sets and queries the bits in the enable register part of the standard event status register.

*ESR? (event status register) queries and clears the event register part of the standard event status register.

*OPC, *OPC? (operation complete) sets the standard event status register to monitor the completion of all commands. The query stops any new commands from being processed until the current processing is complete, then returns a '1'.

*PSC, *PSC? (power-on state clear) sets the power-on state so that it clears the service request enable register and the event status enable register at power on.

*SRE, *SRE? (service request enable) sets and queries the value of the service request enable register.

*STB? (status byte) queries the value of the status byte register without erasing its contents.

Why to Use the Status Registers

A program often needs to be able to detect and manage error conditions or changes in instrument status. There are two methods you can use to programmatically access the information in status registers:

- **The polling method**
- **The service request (SRQ) method**

In the polling method, the instrument has a passive role. It only tells the controller that conditions have changed when the controller asks the right question. In the SRQ method, the instrument takes a more active role. It tells the controller when there has been a condition change without the controller asking. Either method allows you to monitor one or more conditions.

The polling method works well if you do not need to know about changes the moment they occur. The SRQ method should be used if you must know immediately when a condition changes. To detect a change using the polling method, the program must repeatedly read the registers.

Use the SRQ method when:

- you need time-critical notification of changes
- you are monitoring more than one device which supports SRQs
- you need to have the controller do something else while waiting
- you can't afford the performance penalty inherent to polling

Use polling when:

- your programming language/development environment does not support SRQ interrupts
- you want to write a simple, single-purpose program and don't want the added complexity of setting up an SRQ handler

To monitor a condition:

1. Determine which register contains the bit that reports the condition.
2. Send the unique SCPI query that reads that register.
3. Examine the bit to see if the condition has changed.

You can monitor conditions in different ways.

- Check the current instrument hardware and firmware status.

Do this by querying the condition registers which continuously monitor status. These registers represent the current state of the instrument. Bits in a condition register are updated in real time. When the condition monitored by a particular bit becomes true, the bit is set to 1. When the condition becomes false, the bit is reset to 0.

- Monitor a particular condition (bit).

You can enabled a particular bit(s), using the event enable register. The instrument will then monitor that particular condition(s). If the bit becomes true (0 to 1 transition) in the event register, it will stay set until the event register is cleared. Querying the event register allows you to detect that this condition occurred even if the condition no longer exists. The event register can only be cleared by querying it or sending the *CLS command.

- Monitor a particular type of change in a condition (bit).
 - The transition registers are preset to register if the a condition goes from 0 to 1 (false to true, or a positive transition).
 - This can be changed so the selected condition is detected if the bit goes from 1 to 0 (true to false, or a negative transition).
 - It can also be set for both types of transition occurring.
 - Or it can be set for neither transition. If both transition registers are set to 0 for a particular bit position, that bit will not be set in the event register for either type of change.

Using a Status Register

Each bit in a register is represented by a numerical value based on its location. See Figure 6-1 below. This number is sent with the command, to enable a particular bit. If you want to enable more than one bit, you would send the sum of all the bits that you are interested in.

For example, to enable bit 0 and bit 6 of standard event status register, you would send the command *ESE 65 because $1 + 64 = 65$.

The results of a query are evaluated in a similar way. If the *STB? command returns a decimal value of 140, ($140 = 128 + 8 + 4$) then bit 7 is true, bit 3 is true and bit 2 is true.

Figure 6-1 Status Register Bit Values

Decimal Value																					
			32768	16384	8192	4096	2048	1024	512	256	128	64	32	16	8	4	2	1			
Bit Number	15	14	13	12	11	10	9	8	7	6	5	4	3	2	1	0					

NOTE Bit 15 is not used to report status.

Using the Service Request (SRQ) Method

Your language, bus and programming environment must be able to support SRQ interrupts. (For example, BASIC used with the GPIB.) When you monitor a condition with the SRQ method, you must:

1. Determine which bit monitors the condition.
2. Determine how that bit reports to the request service (RQS) bit of the status byte.
3. Send GPIB commands to enable the bit that monitors the condition and to enable the summary bits that report the condition to the RQS bit.
4. Enable the controller to respond to service requests.

When the condition changes, the instrument sets its RQS bit and the GPIB SRQ line. The controller is informed of the change as soon as it occurs. As a result, the time the controller would otherwise have used to monitor the condition can be used to perform other tasks. Your program determines how the controller responds to the SRQ.

Generating a Service Request

To use the SRQ method, you must understand how service requests are generated. Bit 6 of the status byte register is the request service (RQS) bit. The *SRE command is used to configure the RQS bit to report changes in instrument status. When such a change occurs, the RQS bit is set. It is cleared when the status byte register is queried using *SRE? (with a serial poll.) It can be queried without erasing the contents with *STB?.

When a register set causes a summary bit in the status byte to change from 0 to 1, the instrument can initiate the service request (SRQ) process. However, the process is only initiated if both of the following conditions are true:

- The corresponding bit of the service request enable register is also set to 1.
- The instrument does not have a service request pending. (A service request is considered to be pending between the time the instrument's SRQ process is initiated and the time the controller reads the status byte register.)

The SRQ process sets the GPIB SRQ line true. It also sets the status byte's request service (RQS) bit to 1. Both actions are necessary to inform the controller that the instrument requires service. Setting the SRQ line only informs the controller that some device on the bus requires service. Setting the RQS bit allows the controller to determine which instrument requires service.

If your program enables the controller to detect and respond to service

requests, it should instruct the controller to perform a serial poll when the GPIB SRQ line is set true. Each device on the bus returns the contents of its status byte register in response to this poll. The device whose RQS bit is set to 1 is the device that requested service.

NOTE When you read the instrument's status byte register with a serial poll, the RQS bit is reset to 0. Other bits in the register are not affected.

NOTE If the status register is configured to SRQ on end-of-measurement and the measurement is in continuous mode, then restarting a measurement (INIT command) can cause the measuring bit to pulse low. This causes an SRQ when you have not actually reached the "end-of-measurement" condition. To avoid this:

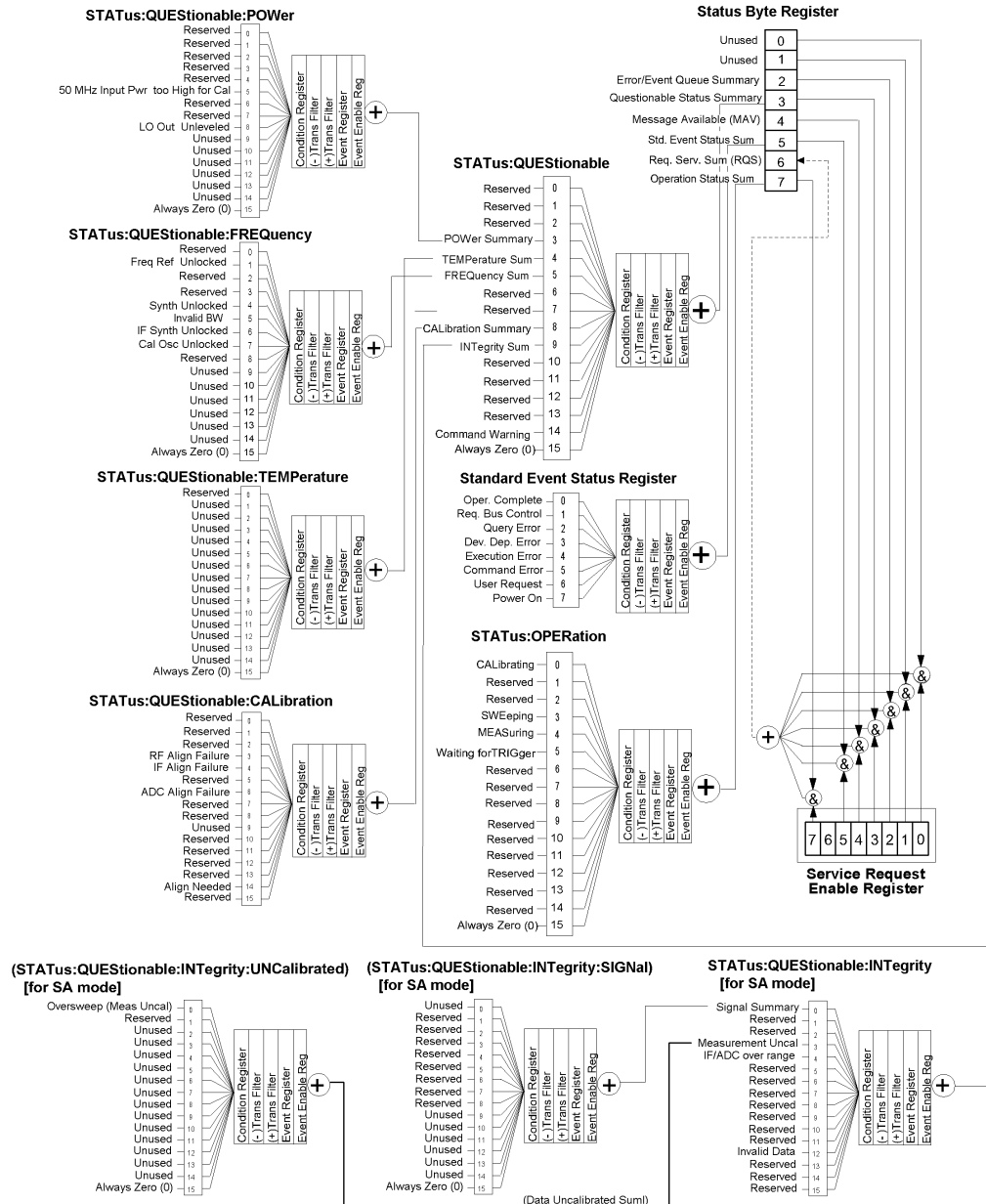
1. Set INITiate:CONTInuous off.
 2. Set/enable the status registers.
 3. Restart the measurement (send INIT).
-

PSA Core Status Register System

Some measurement personality Modes use the status register system more like the E4406A. See the following diagram.

Preset Values

For All Registers: (-) Transition Filter = 0's
(+) Transition Filter = 1's
For STAT:QUES, STAT:OPER, & all OPER:INST:ISUM registers: Event Enable = 0's
For all Other Registers: Event Enable = 1's
Unused: All unused bits = 0



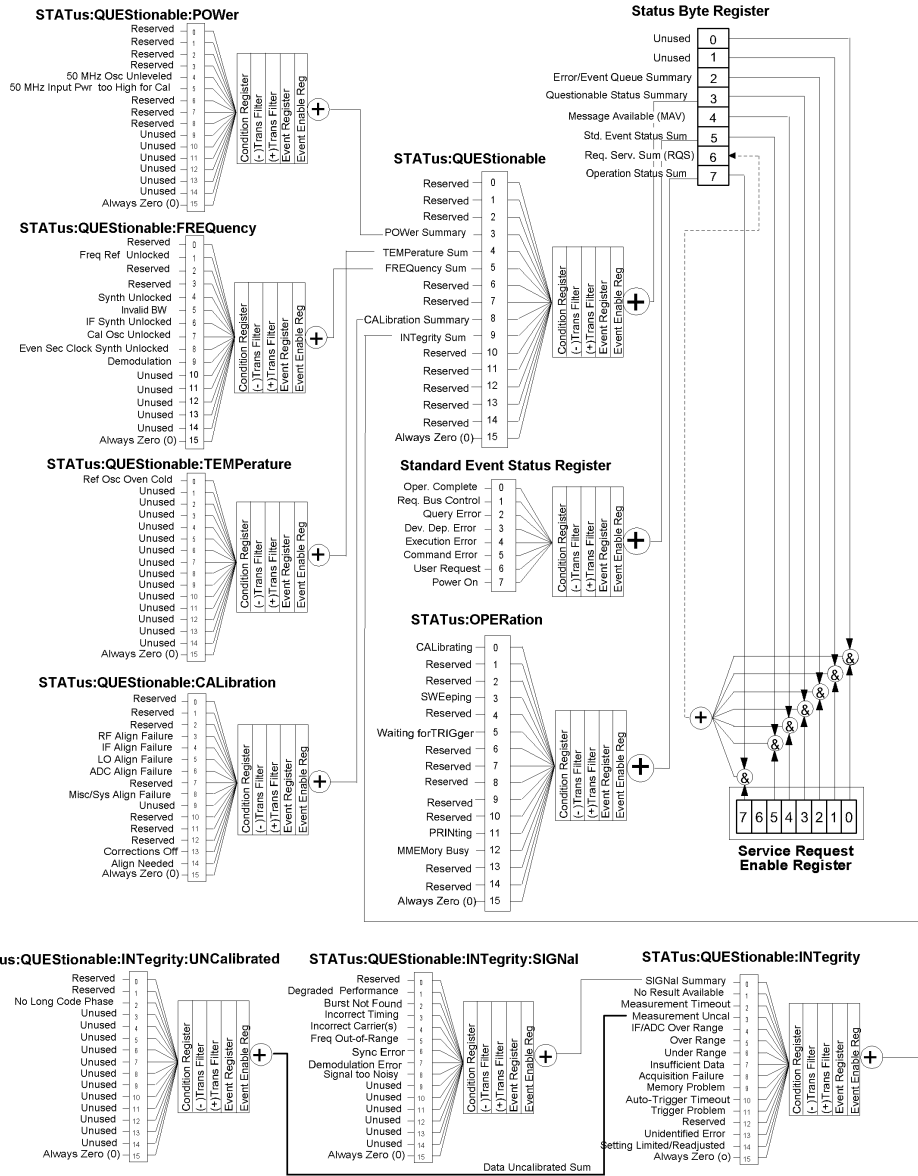
Using the STATUS System Using the Status Registers

E4406A Core Status Register System

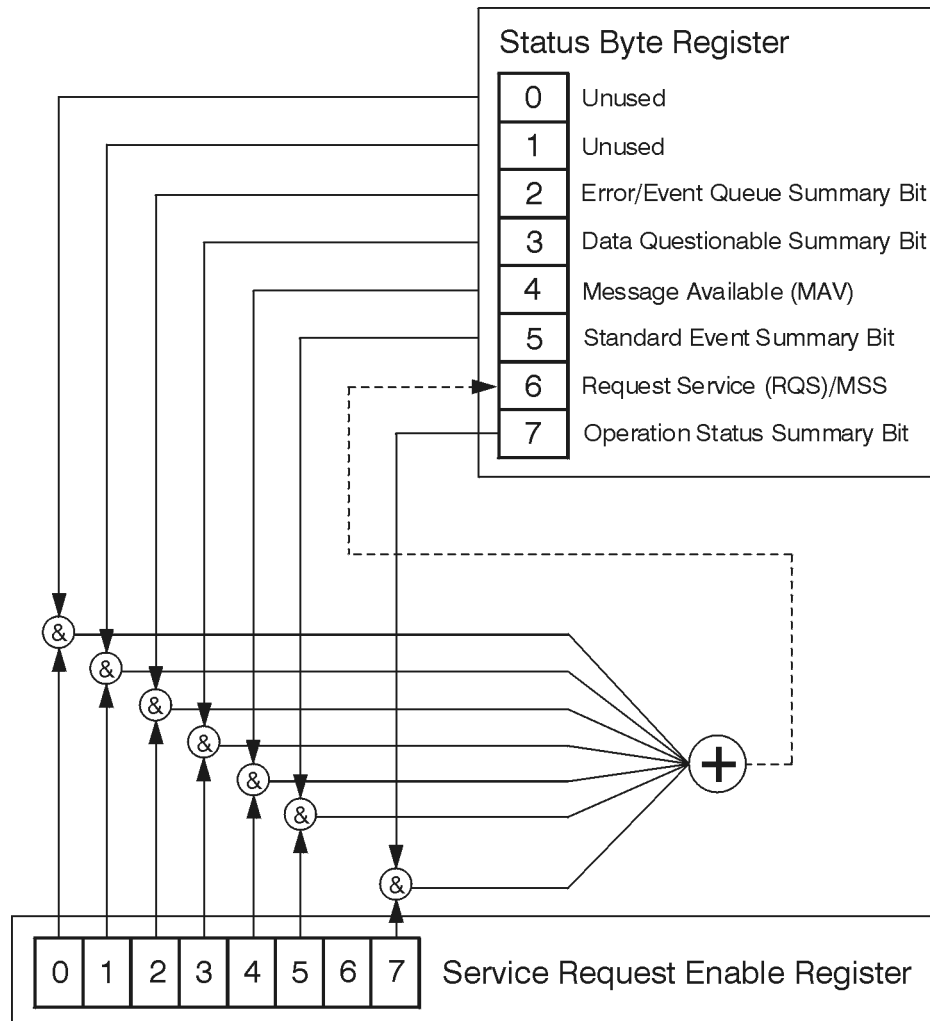
Preset Values

For All Registers: (-) Transition Filter = 0's
 (+) Transition Filter = 1's
 For STAT:QUES, STAT:OPER, & all OPER:INST:ISUM registers: Event Enable = 0's
 For all Other Registers: Event Enable = 1's

Unused: All unused bits = 0



Status Byte Register



ck776a

The RQS bit is read and reset by a serial poll. MSS (the same bit position) is read, non-destructively by the *STB? command. If you serial poll bit 6 it is read as RQS, but if you send *STB it reads bit 6 as MSS. For more information refer to IEEE 488.2 standards, section 11.

	Description	Standard Operation Status Summary Bit	Request Service (RQS) Summary Bit	Standard Event Status Summary Bit	Message Available (MAV)	Data Questionable Status Summary Bit	Error/Event Queue Summary Bit	Unused	Unused
Bit Number	7	6	5	4	3	2	1	0	

*STB?

Status Byte Register

ck725a

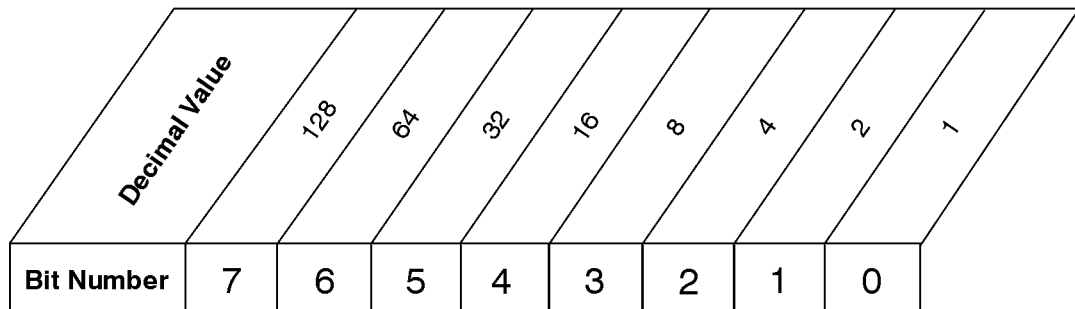
Bit	Description
0, 1	These bits are always set to 0.
2	A 1 in this bit position indicates that the SCPI error queue is not empty which means that it contains at least one error message.
3	A 1 in this bit position indicates that the data questionable summary bit has been set. The data questionable event register can then be read to determine the specific condition that caused this bit to be set.
4	A 1 in this bit position indicates that the instrument has data ready in the output queue. There are no lower status groups that provide input to this bit.
5	A 1 in this bit position indicates that the standard event summary bit has been set. The standard event status register can then be read to determine the specific event that caused this bit to be set.
6	A 1 in this bit position indicates that the instrument has at least one reason to report a status change. This bit is also called the master summary status bit (MSS).
7	A 1 in this bit position indicates that the standard operation summary bit has been set. The standard operation event register can then be read to determine the specific condition that caused this bit to be set.

To query the status byte register, send the command *STB?. The response will be the *decimal* sum of the bits which are set to 1. For example, if bit number 7 and bit number 3 are set to 1, the decimal sum of the 2 bits is 128 plus 8. So the decimal value 136 is returned. The *STB command does not clear the status register

In addition to the status byte register, the status byte group also contains the service request enable register. This register lets you choose which bits in the status byte register will trigger a service request.

Send the *SRE <number> command where <number> is the sum of the decimal values of the bits you want to enable plus the decimal value of bit 6. For example, assume that you want to enable bit 7 so that whenever the standard operation status register summary bit is set to 1 it will trigger a service request. Send the command *SRE 192 (because $128 + 64$). You must always add 64 (the numeric value of RQS bit 6) to your numeric sum when you enable any bits for a service request. The command *SRE? returns the decimal value of the sum of the bits previously enabled with the *SRE <number> command.

The service request enable register presets to zeros (0).

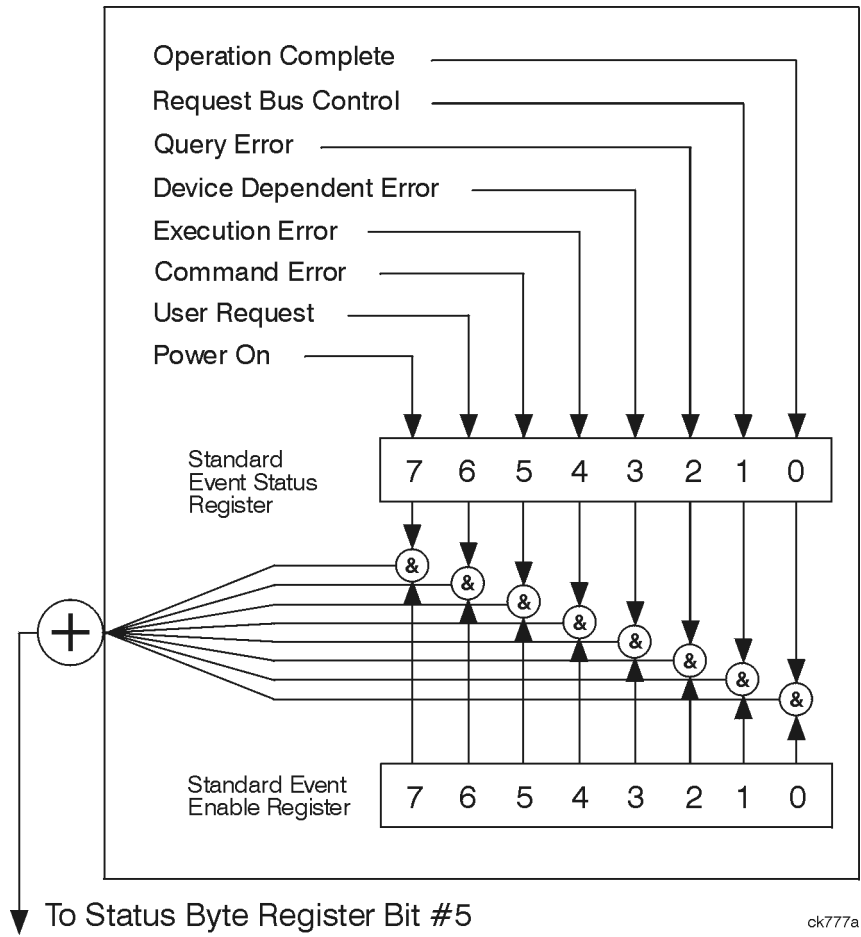


*SRE <num>
*SRE?

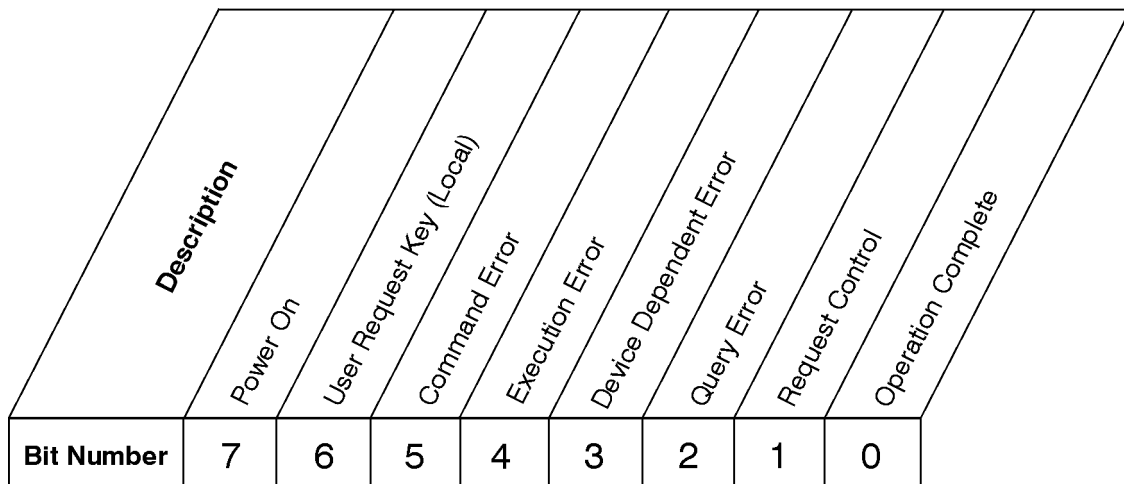
Service Request Enable Register

ck726a

Standard Event Status Register



The standard event status register contains the following bits:



*ESR?

Standard Event Status Register

ck727a

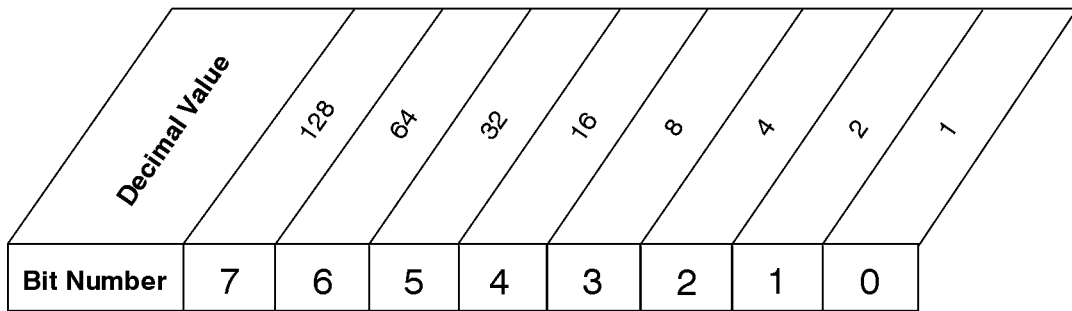
Bit	Description
0	A 1 in this bit position indicates that all pending operations were completed following execution of the *OPC command.
1	This bit is always set to 0. (The instrument does not request control.)
2	A 1 in this bit position indicates that a query error has occurred. Query errors have SCPI error numbers from -499 to -400.
3	A 1 in this bit position indicates that a device dependent error has occurred. Device dependent errors have SCPI error numbers from -399 to -300 and 1 to 32767.
4	A 1 in this bit position indicates that an execution error has occurred. Execution errors have SCPI error numbers from -299 to -200.
5	A 1 in this bit position indicates that a command error has occurred. Command errors have SCPI error numbers from -199 to -100.
6	A 1 in this bit position indicates that the LOCAL key has been pressed. This is true even if the instrument is in local lockout mode.
7	A 1 in this bit position indicates that the instrument has been turned off and then on.

The standard event status register is used to determine the specific event that set bit 5 in the status byte register. To query the standard event status register, send the command *ESR?. The response will be the *decimal* sum of the bits which are enabled (set to 1). For example, if bit number 7 and bit number 3 are enabled, the decimal sum of the 2 bits is 128 plus 8. So the decimal value 136 is returned.

In addition to the standard event status register, the standard event status group also contains a standard event status enable register. This

register lets you choose which bits in the standard event status register will set the summary bit (bit 5 of the status byte register) to 1. Send the *ESE <number> command where <number> is the sum of the decimal values of the bits you want to enable. For example, to enable bit 7 and bit 6 so that whenever either of those bits is set to 1, the standard event status summary bit of the status byte register will be set to 1, send the command *ESE 192 (128 + 64). The command *ESE? returns the decimal value of the sum of the bits previously enabled with the *ESE <number> command.

The standard event status enable register presets to zeros (0).



*ESE <num>
*ESE?

Standard Event Status Enable Register

ck728a

Operation and Questionable Status Registers

The operation and questionable status registers are registers that monitor the overall instrument condition. They are accessed with the STATUS:OPERation and STATUS:QUESTionable commands in the STATUS command subsystem. See the figure on page 373.

Operation Status Register

The operation status register monitors the current instrument measurement state. It checks to see if the instrument is calibrating, sweeping, or waiting for a trigger. For more information see the *OPC? command located in the IEEE Common Commands section.

Bit	Condition	Operation
0	Calibrating	The instrument is busy executing its automatic alignment process
3	Sweeping	The instrument is busy taking a sweep.

Bit	Condition	Operation
5	Waiting for trigger	The instrument is waiting for the trigger conditions to be met, then it will trigger a sweep or measurement.

Questionable Status Register

The questionable status register monitors the instrument's condition to see if anything questionable has happened to it. It is looking for anything that might cause an error or a bad measurement like a hardware problem, an out of calibration situation, or a unusual signal. All the bits are summary bits from lower-level event registers.

Bit	Condition	Operation
3	Power summary	The instrument hardware has detected a power unlevelled condition.
4	Temperature summary	The instrument is still warming up.
5	Frequency summary	The instrument hardware has detected an unlocked condition or a problem with the external frequency reference.
8	Calibration summary	The instrument has detected a hardware problem while doing the automatic internal alignment process.
9	Integrity summary	The instrument has detected a questionable measurement condition such as: bad timing, bad signal/data, timeout problem, signal overload, or "meas uncal".

CommonUsing the STATUS System IEEE Commands

These commands are specified in IEEE Standard 488.2-1992, *IEEE Standard Codes, Formats, Protocols and Common Commands for Use with ANSI/IEEE Std 488.1-1987*. New York, NY, 1992.

Numeric values for bit patterns can be entered using decimal or hexadecimal representations. (i.e. 0 to 32767 is equivalent to #H0 to #H7FFF) See the SCPI Basics information about using bit patterns for variable parameters.

Calibration Query

*CAL?

Performs a full alignment and returns a number indicating the success of the alignment. A zero is returned if the alignment is successful. A one is returned if any part of the alignment fails. The equivalent SCPI command is CALibrate[:ALL]?

Front Panel

Access: **System, Alignments, Align All Now**

Clear Status

*CLS

Clears the status byte. It does this by emptying the error queue and clearing all bits in all of the event registers. The status byte registers summarize the states of the other registers. It is also responsible for generating service requests.

Key Type: There is no equivalent front-panel key.

Standard Event Status Enable

*ESE <number>

*ESE?

Selects the desired bits from the standard event status enable register. This register monitors I/O errors and synchronization conditions such as operation complete, request control, query error, device dependent error, execution error, command error and power on. The selected bits are OR'd to become a summary bit (bit 5) in the status byte register which can be queried.

The query returns the state of the standard event status enable register.

Key Type: There is no equivalent front-panel key.

Range: Integer, 0 to 255

Standard Event Status Register Query

*ESR?

Queries and clears the standard event status event register. (This is a destructive read.)

Key Type: There is no equivalent front-panel key.

Range: Integer, 0 to 255

Identification Query

*IDN?

Returns an instrument identification information. The string will contain the model number, serial number and firmware revision.

The response is organized into four fields separated by commas. The field definitions are as follows:

- Manufacturer
- Model
- Serial number
- Firmware version

For example:

Agilent Technologies,E4440A,US00000123,B.02.02

Key Type: There is no equivalent front-panel key.

Remarks: An @ in the firmware revision information indicates that it is proto firmware.

Front Panel

Access: **System, Show System**

Instrument State Query

*LRN?

This command is not implemented. Other commands are available for returning the *LRN data. Use *IDN? to return the instrument model number, serial number, and firmware version. Use the *SAV/*RCL commands to save and then return the instrument state information.

Operation Complete

*OPC

*OPC?

The *OPC command sets bit 0 in the standard event status register to “1” when pending operations have finished. It does not hold off subsequent operations.

The *OPC? query stops new commands from being processed until the current processing is complete. Then it returns a “1”, and the program continues. This query can be used to synchronize events of other instruments on the external bus.

The instrument does not wait for completion of *all* processes for these commands. The processes that are monitored are identified in the STATus:OPERation register. These include:

PSA Process	STATus:OPER Register Bit	Byte Value
Calibrating	0	1
Sweeping	3	8
MEASuring (not in all modes)	4	16
Waiting for trigger	5	32

For example, if you want to verify the completion of both calibration and waiting for trigger set :STAT:OPER:ENAB 33 and monitor any changes.

Key Type: There is no equivalent front-panel key.

Query Instrument Options

*OPT?

For ESA and PSA analyzers: This command is not implemented.

Using the STATus System

CommonUsing the STATus System IEEE Commands

However the information is available remotely by using SCPI commands. See :SYSTEM:OPTions? in the SYSTEM subsystem.

Power-On Status Clear

*PSC

*PSC?

Sets the state of the power-on status clear flag. This command allows you to specify if the service request enable register and the event status enable register should be cleared at power up.

The query returns the contents of the power-on status clear flag.

Key Type: There is no equivalent front-panel key.

Recall

*RCL <register>

This command recalls the instrument state from the specified instrument memory register.

If the state being loaded has a newer firmware revision than the revision of the instrument, no state is recalled and an error is reported.

If the state being loaded has an equal firmware revision than the revision of the instrument, the state will be loaded.

If the state being loaded has an older firmware revision than the revision of the instrument, the instrument will only load the parts of the state that apply to the older revision.

Key Type: There is no equivalent front-panel key.

Range: registers are an integer, 0 to 127

Remarks: See also commands :MMEMory:LOAD:STATe and :MMEMory:STORe:STATe

Example: *RCL 12

Front Panel

Access: **File, Recall State**

Reset

*RST

This command presets the instrument to a factory defined condition that is appropriate for remote programming operation. In Spectrum Analysis Mode *RST is equivalent to performing the commands

- :SYSTem:PRESet, with preset type set to MODE.
- *CLS which clears the STATUS bits and error queue

*RST does not change the mode and *only* resets the parameters for the current mode.

The :SYSTem:PRESet command is equivalent to a front panel **Preset** key.

Save

*SAV <register>

This command saves the instrument state to the specified instrument memory register.

Key Type: There is no equivalent front-panel key.

Range: Registers are an integer, 0 to 127

Remarks: See also commands :MMEMory:LOAD:STATe and :MMEMory:STORE:STATe

Example: *SAV 12

Front Panel

Access: **File, Save State**

Service Request Enable

*SRE <integer>

*SRE?

This command sets the value of the service request enable register.

The query returns the value of the register.

Key Type: There is no equivalent front-panel key.

Range: Integer, 0 to 255

Example: *SRE 22

Read Status Byte Query

*STB?

Returns the value of the status byte register without erasing its contents.

Key Type: There is no equivalent front-panel key.

Remarks: See *CLS

Trigger

*TRG

This command triggers the instrument. Use the :TRIGger[:SEQuence]:SOURce command to select the trigger source.

If you have selected a one-button measurement and it has been paused (INITiate:PAUSE), or the CONFigure:<meas> command was used. The command causes the system to exit this “waiting” state and go to the “initiated” state. The trigger system is initiated and completes one full trigger cycle. It returns to the “waiting” state on completion of the trigger cycle. See the **MEASURE** key for more information about controlling the measurement process.

The instrument must be in the single measurement mode. If INIT:CONT ON, then the command is ignored. Depending upon the measurement and the number of averages, there may be multiple data acquisitions, with multiple trigger events, for one full trigger cycle.

Key Type: There is no equivalent front-panel key.

Remarks: See also the :INITiate:IMMEDIATE command

Front Panel

Access: **Restart**

Self Test Query

*TST?

For PSA analyzers, *NO* tests are performed. *TST? always returns 0.

Key Type: There is no equivalent front-panel key.

Wait-to-Continue

***WAI**

This command causes the instrument to wait until all pending commands/processes are completed before executing any additional commands. There is no query form for the command.

The instrument does not wait for completion of *all* processes. The processes that are monitored are identified in the *OPC? command description.

Key Type: There is no equivalent front-panel key.

Example: INIT:CONT OFF; INIT;*WAI

STATus Subsystem

The STATus subsystem controls the SCPI-defined instrument-status reporting structures. Each status register has a set of five commands used for querying or masking that particular register.

Numeric values for bit patterns can be entered using decimal or hexadecimal representations. (i.e. 0 to 32767 is equivalent to #H0 to #H7FFF) See the SCPI Basics information about using bit patterns for variable parameters.

Operation Register

Operation Condition Query

:STATus:OPERation:CONDition?

This query returns the decimal value of the sum of the bits in the Status Operation Condition register.

NOTE

The data in this register is continuously updated and reflects the current conditions.

Key Type: There is no equivalent front-panel key.

Operation Enable

:STATus:OPERation:ENABLE <integer>

:STATus:OPERation:ENABLE?

This command determines which bits in the Operation Event register, will set the Operation Status Summary bit (bit 7) in the Status Byte Register. The variable <number> is the sum of the decimal values of the bits you want to enable.

NOTE

The preset condition is to have all bits in this enable register set to 0. To have any Operation Events reported to the Status Byte Register, one or more bits need to be set to 1.

Key Type: There is no equivalent front-panel key.

Factory Preset: 0

Range: 0 to 32767

Operation Event Query

:STATUS:OPERation[:EVENTt]?

This query returns the decimal value of the sum of the bits in the Operation Event register.

NOTE

The register requires that the associated PTR or NTR filters be set before a condition register bit can set a bit in the event register.

The data in this register is latched until it is queried. Once queried, the register is cleared.

Key Type: There is no equivalent front-panel key.

Operation Negative Transition

:STATUS:OPERation:NTRansition <integer>

:STATUS:OPERation:NTRansition?

This command determines which bits in the Operation Condition register will set the corresponding bit in the Operation Event register when the condition register bit has a negative transition (1 to 0). The variable <number> is the sum of the decimal values of the bits that you want to enable.

Key Type: There is no equivalent front-panel key.

Factory Preset: 0

Range: 0 to 32767

Operation Positive Transition

:STATUS:OPERation:PTRansition <integer>

:STATUS:OPERation:PTRansition?

This command determines which bits in the Operation Condition register will set the corresponding bit in the Operation Event register when the condition register bit has a positive transition (0 to 1). The variable <number> is the sum of the decimal values of the bits that you want to enable.

Key Type: There is no equivalent front-panel key.

Factory Preset: 32767 (all 1's)

Range: 0 to 32767

Preset the Status Byte

:STATUS:PRESet

Sets bits in most of the enable and transition registers to their default state. It presets all the Transition Filters, Enable Registers, and the Error/Event Queue Enable. It has no effect on Event Registers, Error/Event QUEUE, IEEE 488.2 ESE, and SRE Registers as described in IEEE Standard 488.2-1992, *IEEE Standard Codes, Formats, Protocols and Common Commands for Use with ANSI/IEEE Std 488.1-1987*. New York, NY, 1992.

Key Type: There is no equivalent front-panel key.

Questionable Register

Questionable Condition

:STATUS:QUEStionable:CONDition?

This query returns the decimal value of the sum of the bits in the Questionable Condition register.

NOTE

The data in this register is continuously updated and reflects the current conditions.

Key Type: There is no equivalent front-panel key.

Questionable Enable

:STATUS:QUEStionable:ENABLE <number>

:STATUS:QUEStionable:ENABLE?

This command determines which bits in the Questionable Event register will set the Questionable Status Summary bit (bit3) in the Status Byte Register. The variable <number> is the sum of the decimal values of the bits you want to enable.

NOTE

The preset condition is all bits in this enable register set to 0. To have any Questionable Events reported to the Status Byte Register, one or more bits need to be set to 1. The Status Byte Event Register should be queried after each measurement to check the Questionable Status Summary (bit 3). If it is equal to 1, a condition during the test may have made the test results invalid. If it is equal to 0, this indicates that no hardware problem or measurement problem was detected by the analyzer.

Key Type: There is no equivalent front-panel key.

Factory Preset: 0

Range: 0 to 32767

Questionable Event Query

:STATus:QUEStionable[:EVENt]?

This query returns the decimal value of the sum of the bits in the Questionable Event register.

NOTE

The register requires that the associated PTR or NTR filters be set before a condition register bit can set a bit in the event register.

The data in this register is latched until it is queried. Once queried, the register is cleared.

Key Type: There is no equivalent front-panel key.

Questionable Negative Transition

:STATus:QUEStionable:NTRansition <number>

:STATus:QUEStionable:NTRansition?

This command determines which bits in the Questionable Condition register will set the corresponding bit in the Questionable Event register when the condition register bit has a negative transition (1 to 0). The variable <number> is the sum of the decimal values of the bits that you want to enable.

Key Type: There is no equivalent front-panel key.

Factory Preset: 0

Range: 0 to 32767

Questionable Positive Transition

:STATus:QUEStionable:PTRansition <number>

:STATus:QUEStionable:PTRansition?

This command determines which bits in the Questionable Condition register will set the corresponding bit in the Questionable Event register when the condition register bit has a positive transition (0 to 1). The variable <number> is the sum of the decimal values of the bits that you want to enable.

Key Type: There is no equivalent front-panel key.

Factory Preset: 32767 (all 1's)

Range: 0 to 32767

Questionable Calibration Register

Questionable Calibration Condition

:STATUS:QUESTIONable:CALibration:CONDition?

This query returns the decimal value of the sum of the bits in the Questionable Calibration Condition register.

NOTE

The data in this register is continuously updated and reflects the current conditions.

Key Type: There is no equivalent front-panel key.

Questionable Calibration Enable

:STATUS:QUESTIONable:CALibration:ENABLE <number>

:STATUS:QUESTIONable:CALibration:ENABLE?

This command determines which bits in the Questionable Calibration Condition Register will set bits in the Questionable Calibration Event register, which also sets the Calibration Summary bit (bit 8) in the Questionable Register. The variable <number> is the sum of the decimal values of the bits you want to enable.

Key Type: There is no equivalent front-panel key.

Example STAT:QUES:CAL:ENABLE 16384 could be used if you have turned off the automatic alignment and you want to query if an alignment is needed.

Factory Preset: 32767 (all 1's)

Range: 0 to 32767

Questionable Calibration Event Query

:STATUS:QUESTIONable:CALibration[:EVENT]?

This query returns the decimal value of the sum of the bits in the Questionable Calibration Event register.

NOTE

The register requires that the associated PTR or NTR filters be set before a condition register bit can set a bit in the event register.

The data in this register is latched until it is queried. Once queried, the register is cleared.

Key Type: There is no equivalent front-panel key.

Questionable Calibration Negative Transition

:STATUS:QUESTIONable:CALibration:NTRansition <number>

:STATUS:QUESTIONable:CALibration:NTRansition?

This command determines which bits in the Questionable Calibration Condition register will set the corresponding bit in the Questionable Calibration Event register when the condition register bit has a negative transition (1 to 0). The variable <number> is the sum of the decimal values of the bits that you want to enable.

Key Type: There is no equivalent front-panel key.

Factory Preset: 0

Range: 0 to 32767

Questionable Calibration Positive Transition

:STATUS:QUESTIONable:CALibration:PTRansition <number>

:STATUS:QUESTIONable:CALibration:PTRansition?

This command determines which bits in the Questionable Calibration Condition register will set the corresponding bit in the Questionable Calibration Event register when the condition register bit has a positive transition (0 to 1). The variable <number> is the sum of the decimal values of the bits that you want to enable.

Key Type: There is no equivalent front-panel key.

Factory Preset: 32767 (all 1's)

Range: 0 to 32767

Questionable Frequency Register

Questionable Frequency Condition

:STATUS:QUESTIONable:FREquency:CONDition?

This query returns the decimal value of the sum of the bits in the Questionable Frequency Condition register.

NOTE The data in this register is continuously updated and reflects the current conditions.

Key Type: There is no equivalent front-panel key.

Questionable Frequency Enable

:STATus:QUEStionable:FREQuency:ENABle <number>

:STATus:QUEStionable:FREQuency:ENABle?

This command determines which bits in the Questionable Frequency Condition Register will set bits in the Questionable Frequency Event register, which also sets the Frequency Summary bit (bit 5) in the Questionable Register. The variable <number> is the sum of the decimal values of the bits you want to enable.

Key Type: There is no equivalent front-panel key.

Factory Preset: 32767 (all 1's)

Range: 0 to 32767

Questionable Frequency Event Query

:STATus:QUEStionable:FREQuency[:EVENT]?

This query returns the decimal value of the sum of the bits in the Questionable Frequency Event register.

NOTE The register requires that the associated PTR or NTR filters be set before a condition register bit can set a bit in the event register.

The data in this register is latched until it is queried. Once queried, the register is cleared.

Key Type: There is no equivalent front-panel key.

Questionable Frequency Negative Transition

:STATus:QUEStionable:FREQuency:NTRansition <number>

:STATus:QUEStionable:FREQuency:NTRansition?

This command determines which bits in the Questionable Frequency Condition register will set the corresponding bit in the Questionable Frequency Event register when the condition register bit has a negative transition (1 to 0). The variable <number> is the sum of the decimal values of the bits that you want to enable.

Key Type: There is no equivalent front-panel key.

Factory Preset: 0

Range: 0 to 32767

Questionable Frequency Positive Transition

:STATUS:QUESTIONABLE:FREQUENCY:PTRANSITION <number>

:STATUS:QUESTIONABLE:FREQUENCY:PTRANSITION?

This command determines which bits in the Questionable Frequency Condition register will set the corresponding bit in the Questionable Frequency Event register when the condition register bit has a positive transition (0 to 1). The variable <number> is the sum of the decimal values of the bits that you want to enable.

Key Type: There is no equivalent front-panel key.

Factory Preset: 32767 (all 1's)

Range: 0 to 32767

Questionable Integrity Register

Questionable Integrity Condition

:STATUS:QUESTIONABLE:INTEGRITY:CONDITION?

This query returns the decimal value of the sum of the bits in the Questionable Integrity Condition register.

NOTE

The data in this register is continuously updated and reflects the current conditions.

Key Type: There is no equivalent front-panel key.

Questionable Integrity Enable

:STATUS:QUESTIONABLE:INTEGRITY:ENABLE <number>

:STATUS:QUESTIONABLE:INTEGRITY:ENABLE?

This command determines which bits in the Questionable Integrity Condition Register will set bits in the Questionable Integrity Event register, which also sets the Integrity Summary bit (bit 9) in the Questionable Register. The variable <number> is the sum of the decimal values of the bits you want to enable.

Key Type: There is no equivalent front-panel key.
Factory Preset: 32767 (all 1's)
Range: 0 to 32767

Questionable Integrity Event Query

:STATUS:QUESTIONable:INTEGRity[:EVENTt]?

This query returns the decimal value of the sum of the bits in the Questionable Integrity Event register.

NOTE

The register requires that the associated PTR or NTR filters be set before a condition register bit can set a bit in the event register.

The data in this register is latched until it is queried. Once queried, the register is cleared.

Key Type: There is no equivalent front-panel key.

Questionable Integrity Negative Transition

:STATUS:QUESTIONable:INTEGRity:NTRansition <number>

:STATUS:QUESTIONable:INTEGRity:NTRansition?

This command determines which bits in the Questionable Integrity Condition register will set the corresponding bit in the Questionable Integrity Event register when the condition register bit has a negative transition (1 to 0)

The variable <number> is the sum of the decimal values of the bits that you want to enable.

Key Type: There is no equivalent front-panel key.

Factory Preset: 0

Range: 0 to 32767

Questionable Integrity Positive Transition

:STATUS:QUESTIONable:INTEGRity:PTRansition <number>

:STATUS:QUESTIONable:INTEGRity:PTRansition?

This command determines which bits in the Questionable Integrity Condition register will set the corresponding bit in the Questionable Integrity Event register when the condition register bit has a positive transition (0 to 1). The variable <number> is the sum of the decimal values of the bits that you want to enable.

Key Type: There is no equivalent front-panel key.

Factory Preset: 32767 (all 1's)

Range: 0 to 32767

Questionable Integrity Signal Register

Questionable Integrity Signal Condition

:STATus:QUEStionable:INTEgrity:SIGNal:CONDition?

This query returns the decimal value of the sum of the bits in the Questionable Integrity Signal Condition register.

NOTE

The data in this register is continuously updated and reflects the current conditions.

Key Type: There is no equivalent front-panel key.

Questionable Integrity Signal Enable

:STATus:QUEStionable:INTEgrity:SIGNal:ENABle <number>

:STATus:QUEStionable:INTEgrity:SIGNal:ENABle?

This command determines which bits in the Questionable Integrity Signal Condition Register will set bits in the Questionable Integrity Signal Event register, which also sets the Integrity Summary bit (bit 9) in the Questionable Register. The variable <number> is the sum of the decimal values of the bits you want to enable.

Key Type: There is no equivalent front-panel key.

Factory Preset: 32767 (all 1's)

Range: 0 to 32767

Questionable Integrity Signal Event Query

:STATus:QUEStionable:INTEgrity:SIGNal[:EVENT]?

This query returns the decimal value of the sum of the bits in the Questionable Integrity Signal Event register.

NOTE

The register requires that the associated PTR or NTR filters be set before a condition register bit can set a bit in the event register.

The data in this register is latched until it is queried. Once queried, the

register is cleared.

Key Type: There is no equivalent front-panel key.

Questionable Integrity Signal Negative Transition

:STATUS:QUESTIONable:INTEGRity:SIGNal:NTRANSition <number>

:STATUS:QUESTIONable:INTEGRity:SIGNal:NTRANSition?

This command determines which bits in the Questionable Integrity Signal Condition register will set the corresponding bit in the Questionable Integrity Signal Event register when the condition register bit has a negative transition (1 to 0). The variable <number> is the sum of the decimal values of the bits that you want to enable.

Key Type: There is no equivalent front-panel key.

Factory Preset: 0

Range: 0 to 32767

Questionable Integrity Signal Positive Transition

:STATUS:QUESTIONable:INTEGRity:SIGNal:PTRANSition <number>

:STATUS:QUESTIONable:INTEGRity:SIGNal:PTRANSition?

This command determines which bits in the Questionable Integrity Signal Condition register will set the corresponding bit in the Questionable Integrity Signal Event register when the condition register bit has a positive transition (0 to 1). The variable <number> is the sum of the decimal values of the bits that you want to enable.

Key Type: There is no equivalent front-panel key.

Factory Preset: 32767 (all 1's)

Range: 0 to 32767

Questionable Integrity Uncalibrated Register

Questionable Integrity Uncalibrated Condition

:STATUS:QUESTIONable:INTEGRity:UNCalibrated:CONDition?

This query returns the decimal value of the sum of the bits in the Questionable Integrity Uncalibrated Condition register.

NOTE

The data in this register is continuously updated and reflects the

current conditions.

Key Type: There is no equivalent front-panel key.

Questionable Integrity Uncalibrated Enable

:STATUS:QUESTIONable:INTEgrity:UNCalibrated:ENABle

:STATUS:QUESTIONable:INTEgrity:UNCalibrated:ENABle?

This command determines which bits in the Questionable Integrity Uncalibrated Condition Register will set bits in the Questionable Integrity Uncalibrated Event register, which also sets the Data Uncalibrated Summary bit (bit 3) in the Questionable Integrity Register. The variable <number> is the sum of the decimal values of the bits you want to enable.

Key Type: There is no equivalent front-panel key.

Factory Preset: 32767 (all 1's)

Range: 0 to 32767

Questionable Integrity Uncalibrated Event Query

:STATUS:QUESTIONable:INTEgrity:UNCalibrated[:EVENT]?

This query returns the decimal value of the sum of the bits in the Questionable Integrity Uncalibrated Event register.

NOTE

The register requires that the associated PTR or NTR filters be set before a condition register bit can set a bit in the event register.

The data in this register is latched until it is queried. Once queried, the register is cleared.

Key Type: There is no equivalent front-panel key.

Questionable Integrity Uncalibrated Negative Transition

:STATUS:QUESTIONable:INTEgrity:UNCalibrated:NTRansition <number>

:STATUS:QUESTIONable:INTEgrity:UNCalibrated:NTRansition?

This command determines which bits in the Questionable Integrity Uncalibrated Condition register will set the corresponding bit in the Questionable Integrity Uncalibrated Event register when the condition register bit has a negative transition (1 to 0). The variable <number> is the sum of the decimal values of the bits that you want to enable.

Key Type: There is no equivalent front-panel key.
Factory Preset: 0
Range: 0 to 32767

Questionable Integrity Uncalibrated Positive Transition

:STATUS:QUESTIONable:INTEgrity:UNCalibrated:PTRansition <number>
:STATUS:QUESTIONable:INTEgrity:UNCalibrated:PTRansition?

This command determines which bits in the Questionable Integrity Uncalibrated Condition register will set the corresponding bit in the Questionable Integrity Uncalibrated Event register when the condition register bit has a positive transition (0 to 1). The variable <number> is the sum of the decimal values of the bits that you want to enable.

Key Type: There is no equivalent front-panel key.
Factory Preset: 32767 (all 1's)
Range: 0 to 32767

Questionable Power Register

Questionable Power Condition

:STATUS:QUESTIONable:POWER:CONDition?

This query returns the decimal value of the sum of the bits in the Questionable Power Condition register.

NOTE

The data in this register is continuously updated and reflects the current conditions.

Key Type: There is no equivalent front-panel key.

Questionable Power Enable

:STATUS:QUESTIONable:POWER:ENABLE <number>
:STATUS:QUESTIONable:POWER:ENABLE?

This command determines which bits in the Questionable Power Condition Register will set bits in the Questionable Power Event register, which also sets the Power Summary bit (bit 3) in the Questionable Register. The variable <number> is the sum of the decimal values of the bits you want to enable.

Key Type: There is no equivalent front-panel key.

Factory Preset: 32767 (all 1's)

Range: 0 to 32767

Questionable Power Event Query

:STATus:QUEStionable:POWer[:EVENT]?

This query returns the decimal value of the sum of the bits in the Questionable Power Event register.

NOTE

The register requires that the associated PTR or NTR filters be set before a condition register bit can set a bit in the event register.

The data in this register is latched until it is queried. Once queried, the register is cleared.

Key Type: There is no equivalent front-panel key.

Questionable Power Negative Transition

:STATus:QUEStionable:POWer:NTRansition <number>

:STATus:QUEStionable:POWer:NTRansition?

This command determines which bits in the Questionable Power Condition register will set the corresponding bit in the Questionable Power Event register when the condition register bit has a negative transition (1 to 0). The variable <number> is the sum of the decimal values of the bits that you want to enable.

Key Type: There is no equivalent front-panel key.

Factory Preset: 0

Range: 0 to 32767

Questionable Power Positive Transition

:STATus:QUEStionable:POWer:PTRansition <number>

:STATus:QUEStionable:POWer:PTRansition?>

This command determines which bits in the Questionable Power Condition register will set the corresponding bit in the Questionable Power Event register when the condition register bit has a positive transition (0 to 1). The variable <number> is the sum of the decimal values of the bits that you want to enable.

Key Type: There is no equivalent front-panel key.
Factory Preset: 32767 (all 1's)
Range: 0 to 32767

Questionable Temperature Register

Questionable Temperature Condition

:STATus:QUEStionable:TEMPerature:CONDition?

This query returns the decimal value of the sum of the bits in the Questionable Temperature Condition register.

NOTE

The data in this register is continuously updated and reflects the current conditions.

Key Type: There is no equivalent front-panel key.

Questionable Temperature Enable

:STATus:QUEStionable:TEMPerature:ENABLE <number>

:STATus:QUEStionable:TEMPerature:ENABLE?

This command determines which bits in the Questionable Temperature Condition Register will set bits in the Questionable Temperature Event register, which also sets the Temperature Summary bit (bit 4) in the Questionable Register. The variable <number> is the sum of the decimal values of the bits you want to enable.

Key Type: There is no equivalent front-panel key.

Factory Preset: 32767 (all 1's)

Range: 0 to 32767

Questionable Temperature Event Query

:STATus:QUEStionable:TEMPerature[:EVENT]?

This query returns the decimal value of the sum of the bits in the Questionable Temperature Event register.

NOTE

The register requires that the associated PTR or NTR filters be set before a condition register bit can set a bit in the event register.

The data in this register is latched until it is queried. Once queried, the

register is cleared

Key Type: There is no equivalent front-panel key.

Questionable Temperature Negative Transition

:STATus:QUEStionable:TEMPerature:NTRansition <number>

:STATus:QUEStionable:TEMPerature:NTRansition?

This command determines which bits in the Questionable Temperature Condition register will set the corresponding bit in the Questionable Temperature Event register when the condition register bit has a negative transition (1 to 0). The variable <number> is the sum of the decimal values of the bits that you want to enable.

Key Type: There is no equivalent front-panel key.

Factory Preset: 0

Range: 0 to 32767

Questionable Temperature Positive Transition

:STATus:QUEStionable:TEMPerature:PTRansition <number>

:STATus:QUEStionable:TEMPerature:PTRansition?

This command determines which bits in the Questionable Temperature Condition register will set the corresponding bit in the Questionable Temperature Event register when the condition register bit has a positive transition (0 to 1). The variable <number> is the sum of the decimal values of the bits that you want to enable.

Key Type: There is no equivalent front-panel key.

Factory Preset: 32767 (all 1's)

Range: 0 to 32767

7 Menu Maps: Spectrum Analysis


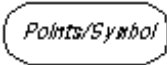


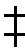
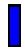
This chapter provides a visual representation of the front-panel keys and their associated menu keys. These menu maps are in alphabetical order by the front-panel key label or oval cross-reference label. You can locate detailed information about each key/function at the page number listed in the figure title for each menu. For one-button measurement menus see the *One-Button Power Measurements User's and Programmer's Reference*.

Directions for Use

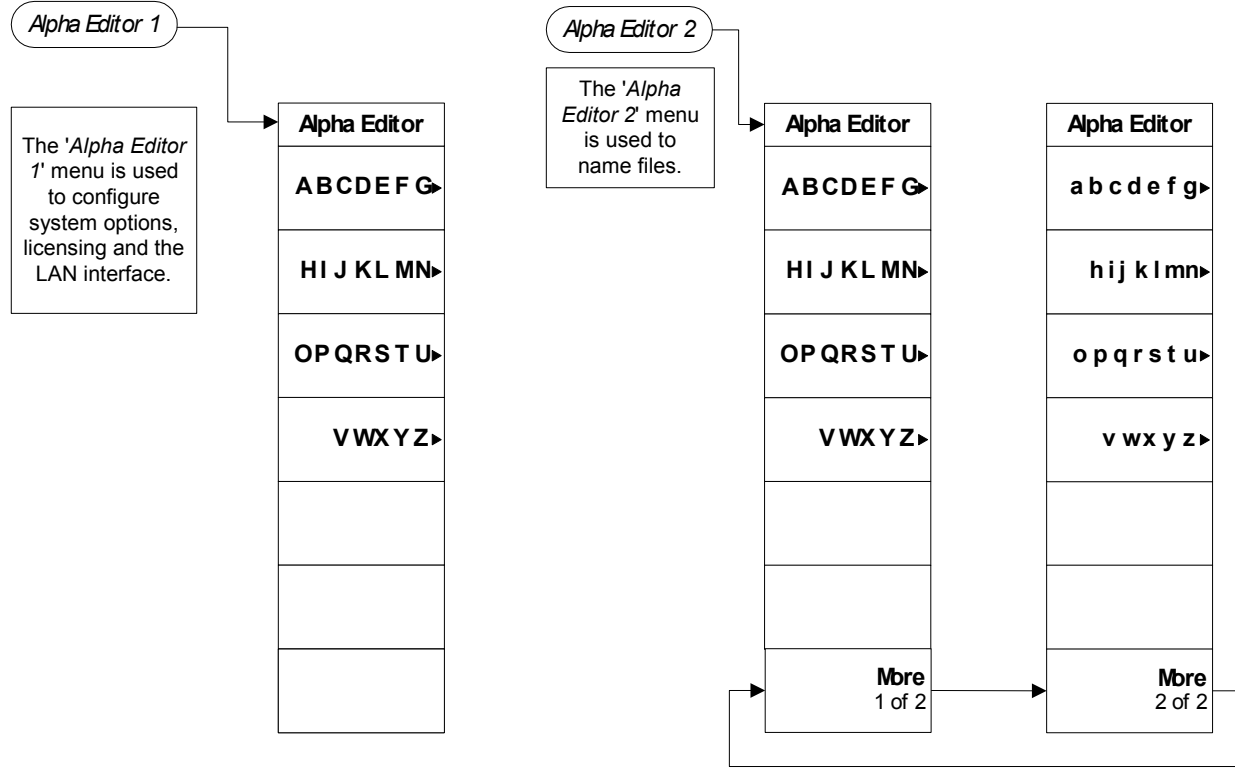
Refer to the following notes to utilize the key-flow diagrams:

- Start from the upper left corner of each measurement diagram. Go to the right, and go from the top to the bottom.
- When changing a key from auto (with underline) to manual, just press that key one time.
- When entering a numeric value for **frequency**, a value with units, use the numeric keypad and terminate the entry with the appropriate unit selection from the softkeys displayed.
- When entering a numeric value for a unitless value, like **Avg Number**, use the numeric keypad and terminate the entry with the **Enter** front-panel key.
- Instead of using the numeric keypad to enter a value, it may be easier to use the front-panel knob or **Up/Down** arrow keys.

Table 7-1 **Menu Map Legend**

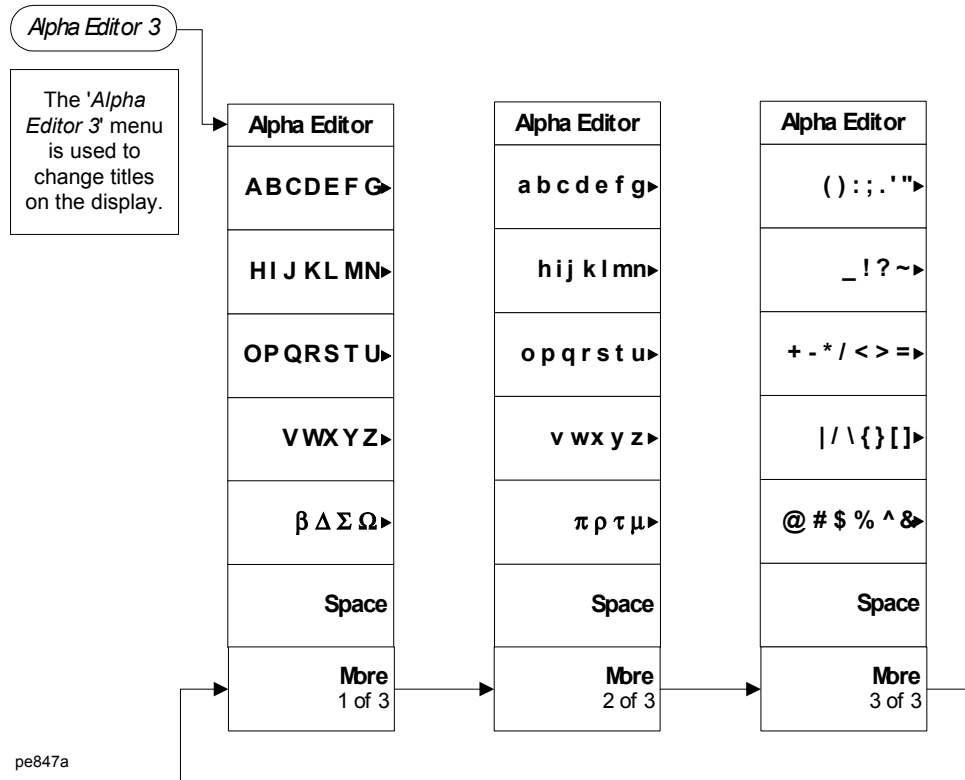
Icon	Description
	This represents the analyzer front-panel key.
	An oval represents additional levels of menus.
	This box shows how the softkey default condition is displayed. Default parameters or values are underlined wherever possible.
	A dagger to the left of a softkey indicates that when the key is pressed this is an active function.
	A double-dagger to the left of the softkey indicates a function that is not always available. It is dependent on other instrument settings.
	A bar on the left of two or more softkeys indicates that the keys are a mutually exclusive choice.

Alpha Editor Keys, 1 of 2

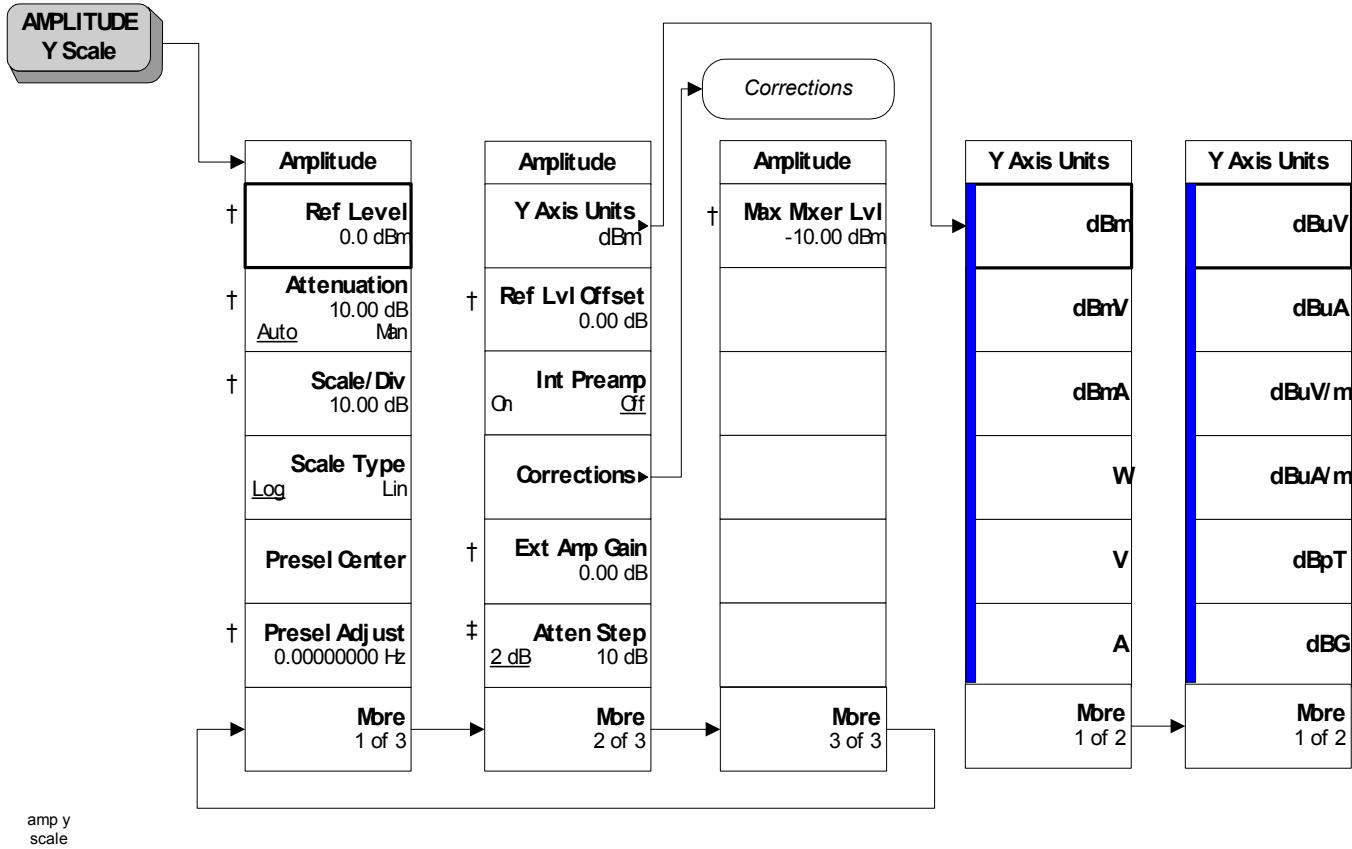


pe846a

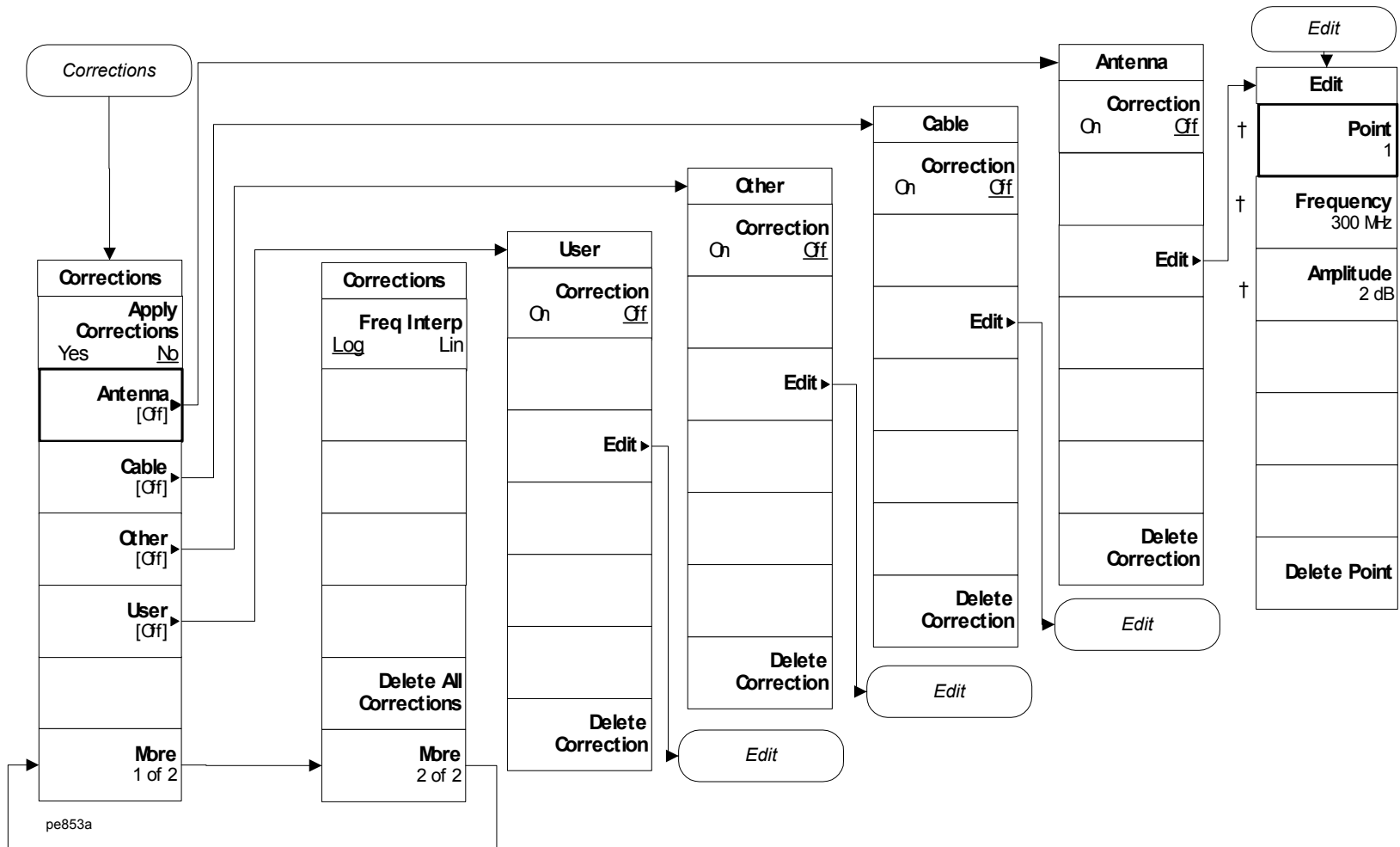
Alpha Editor Keys, 2 of 2



AMPLITUDE Y Scale Key, 1 of 2 (See page 35)

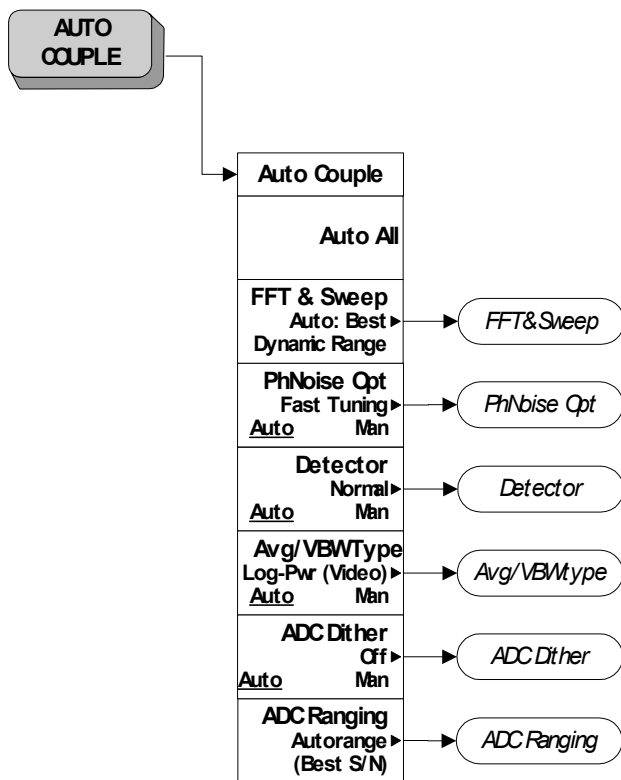


AMPLITUDE Y Scale Key, 2 of 2 (See page 35)



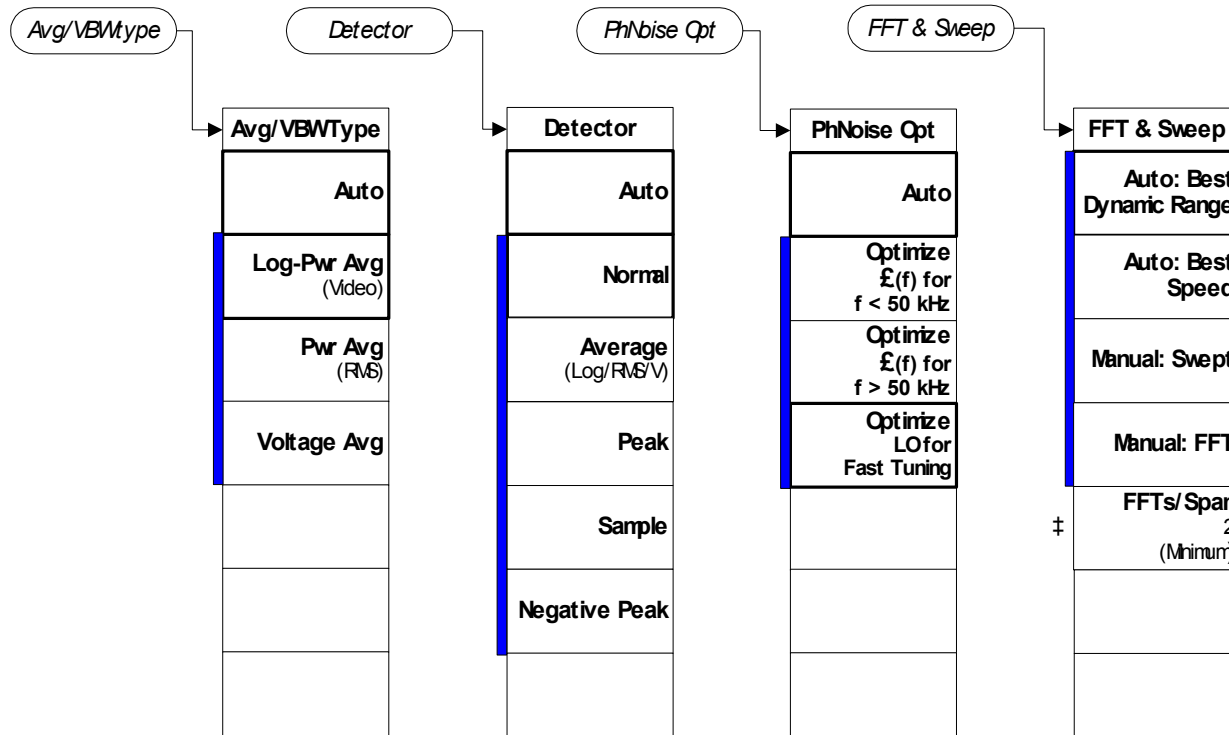
Menu Maps: Spectrum Analysis
AMPLITUDE Y Scale Key, 1 of 2 (See page 35)

Auto Couple Key, 1 of 3 (See page 59)



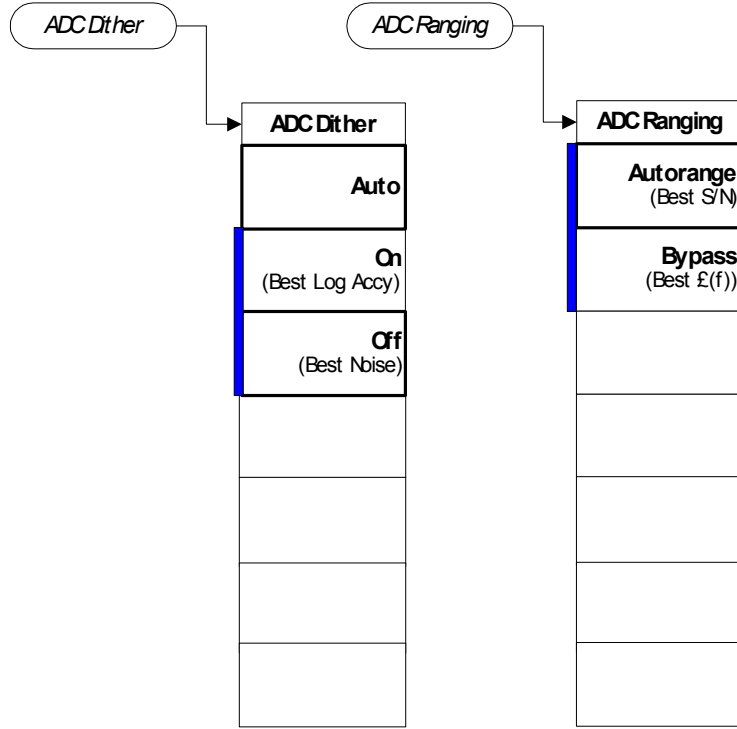
pe849a

Auto Couple Key, 2 of 3 (See page 59)



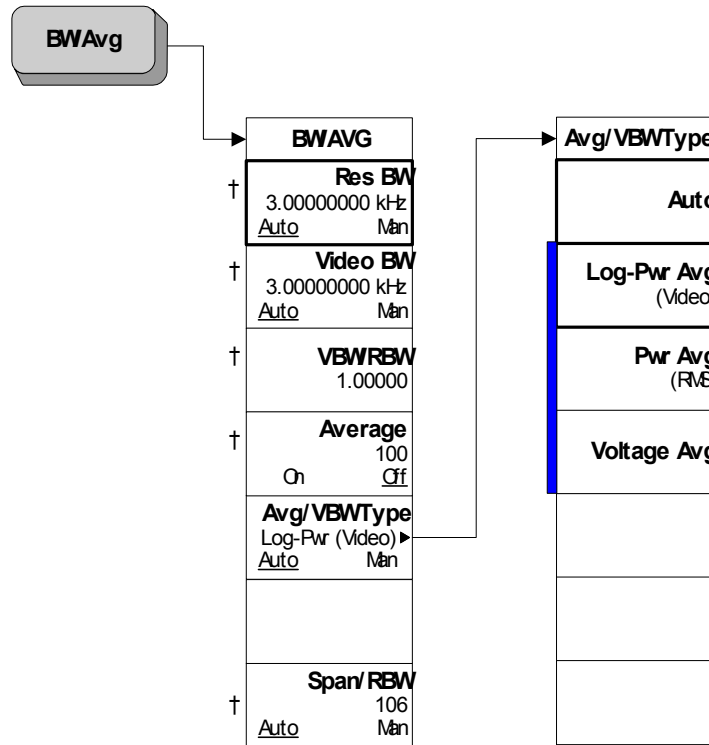
pe850a

Auto Couple Key, 3 of 3 (See page 59)



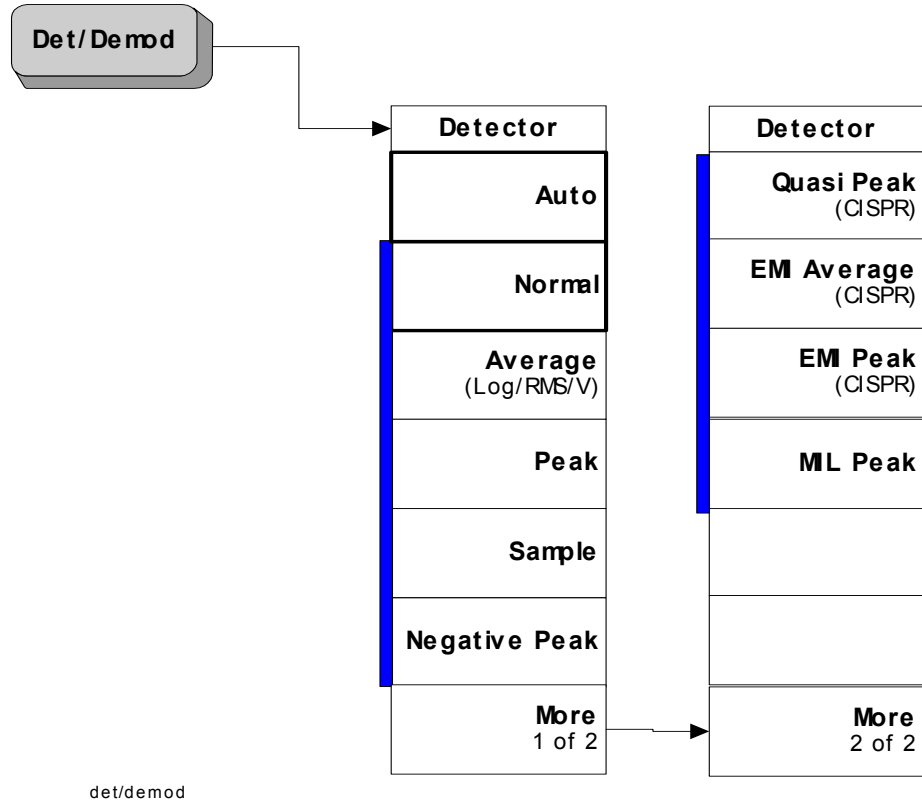
pe851a

BW/Avg Key (See page 73)

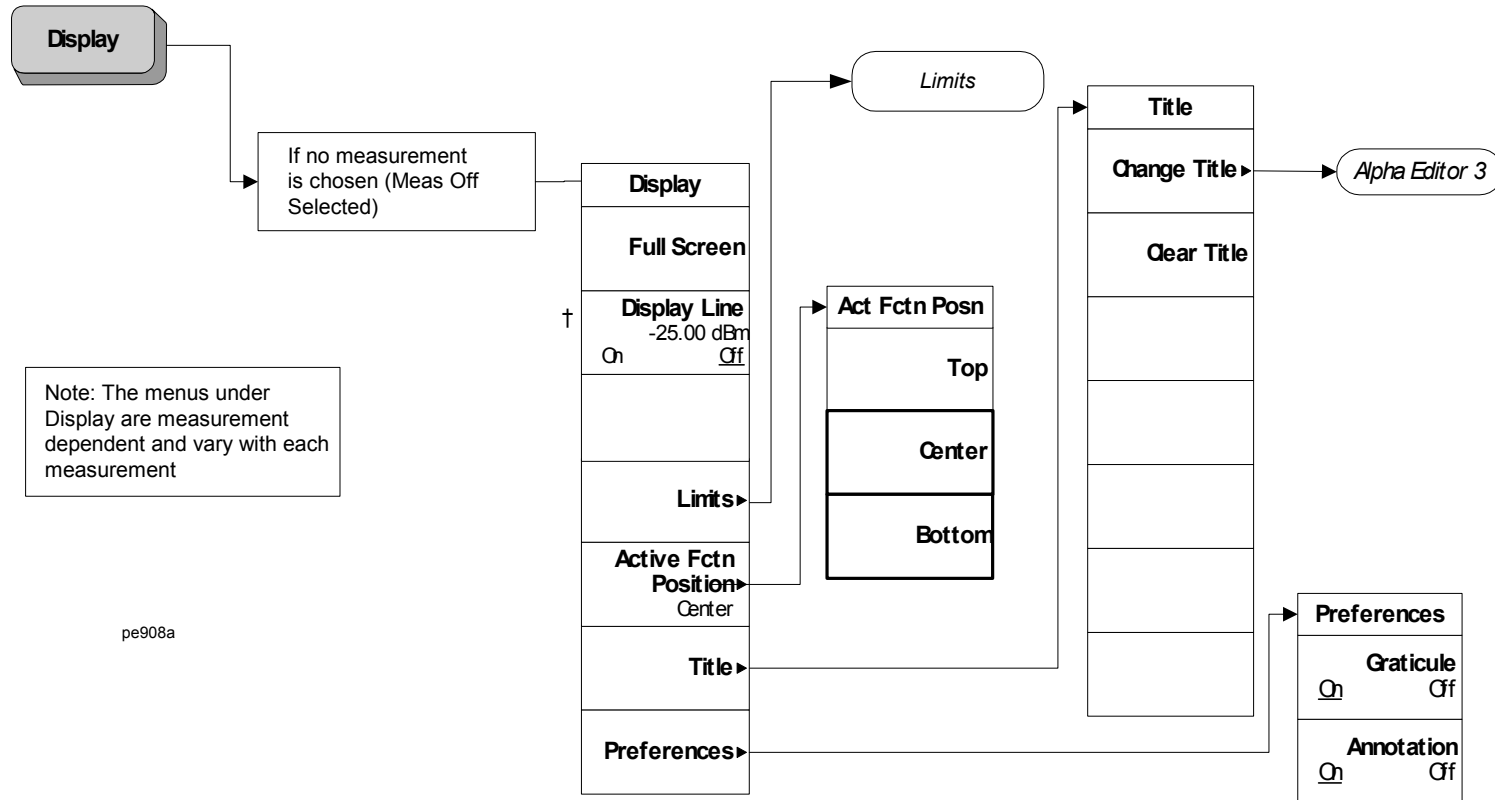


pe852a

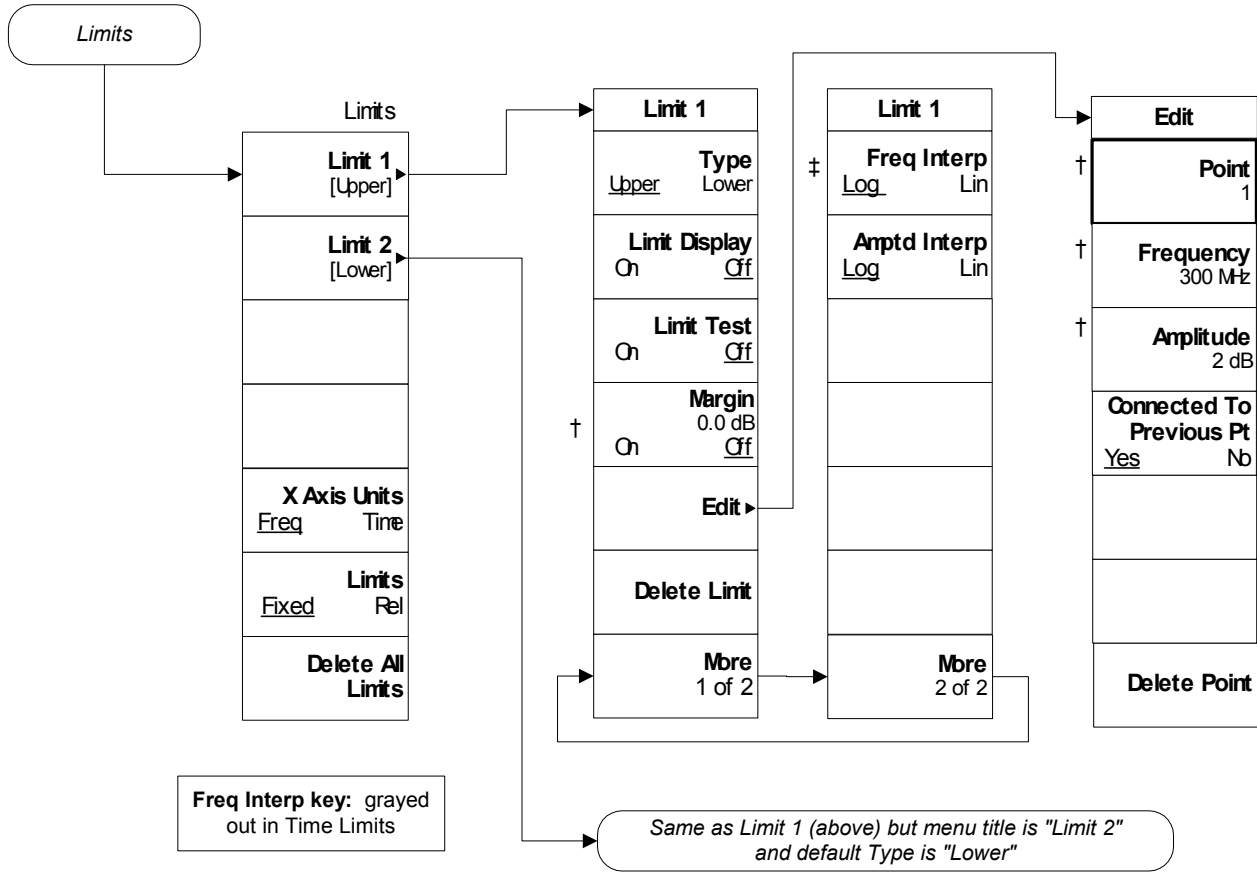
Det/Demod Key (See page 85)



Display Key, 1 of 2 (See page 97)

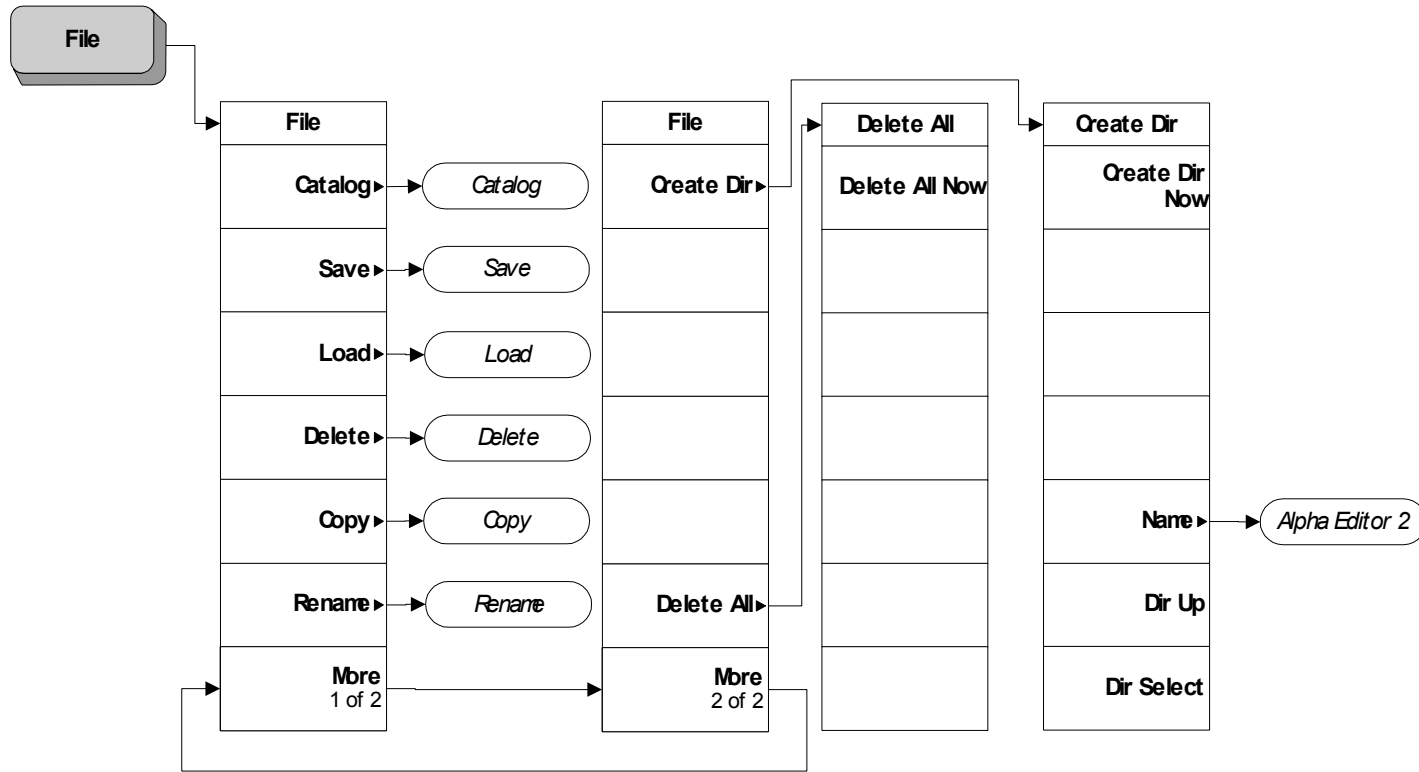


Display Key, 2 of 2 (See page 97)



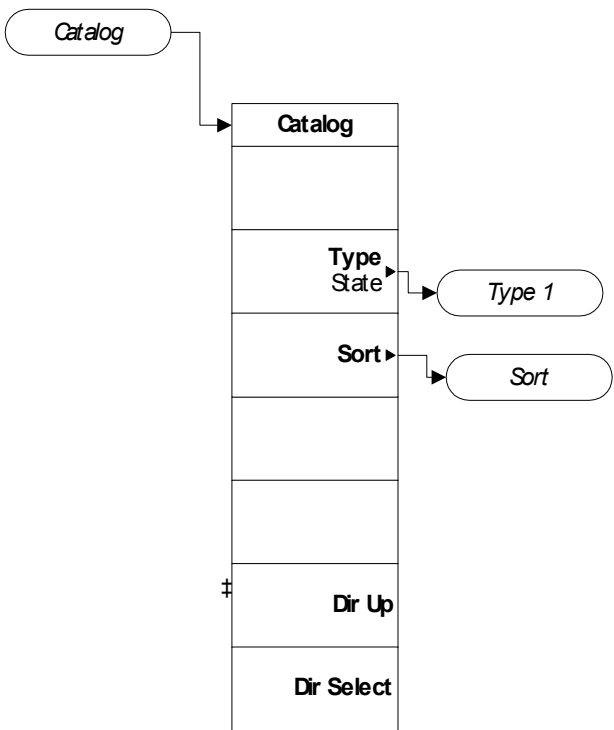
Limits (Display-2)

File Key, 1 of 6 (See page 119)



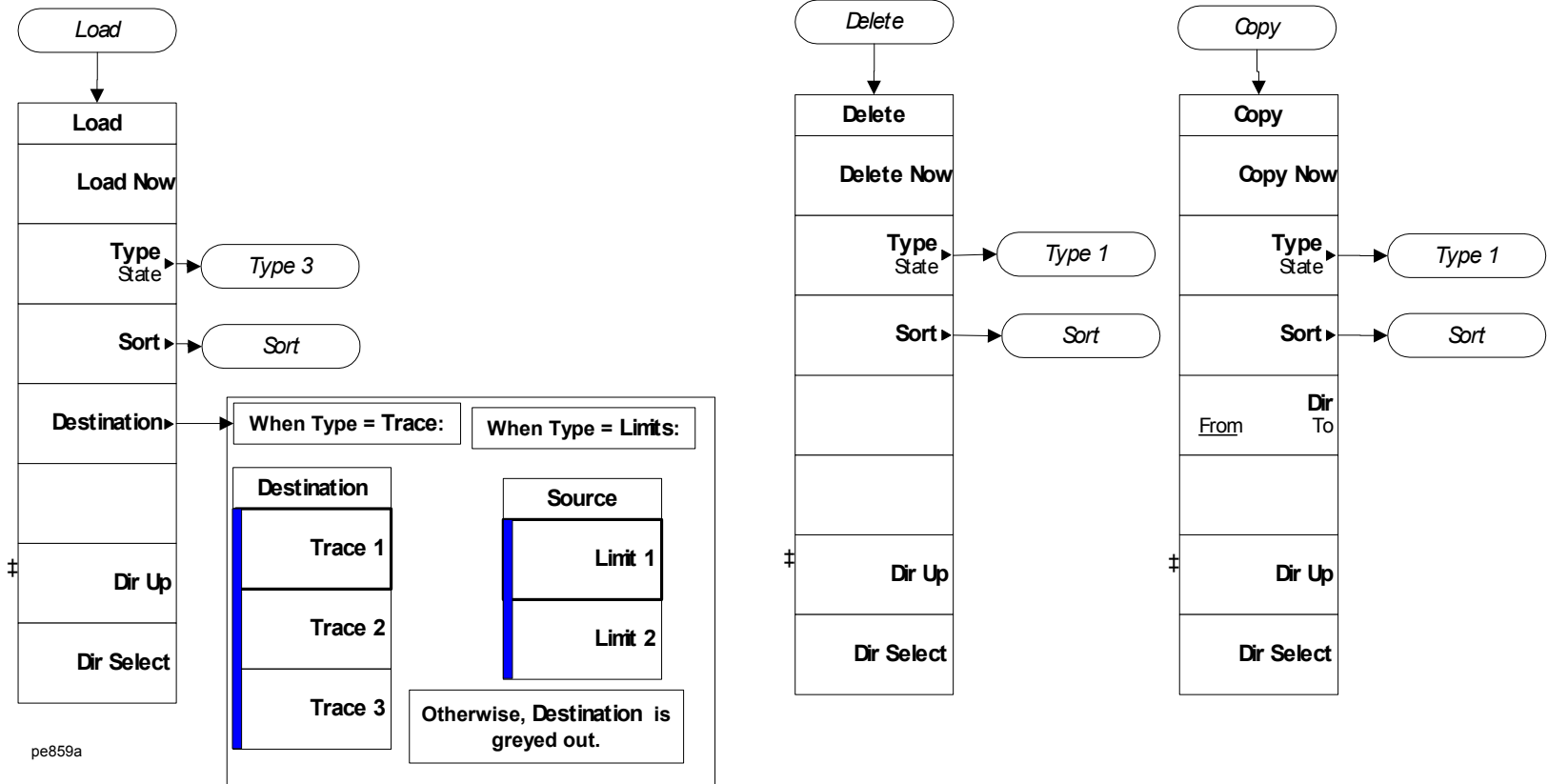
pe856a

File Key, 2 of 6 (See page 119)

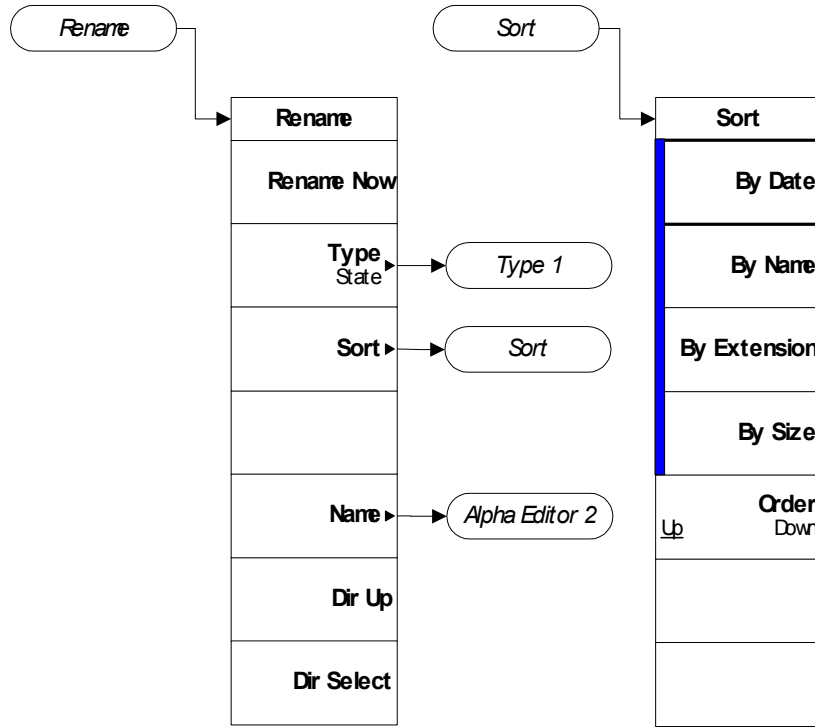


pe857a

File Key, 3 of 6 (See page 119)

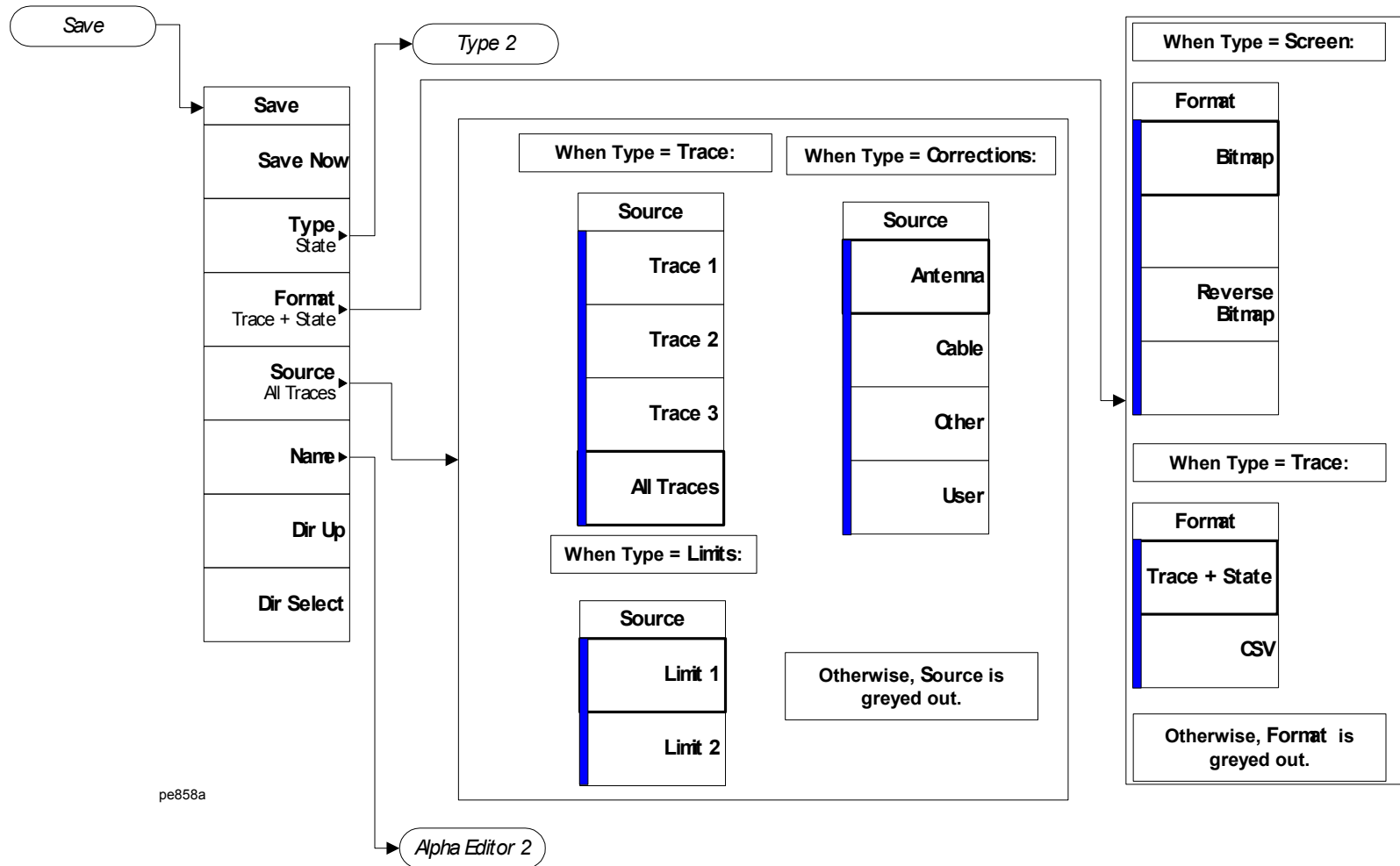


File Key, 4 of 6 (See page 119)



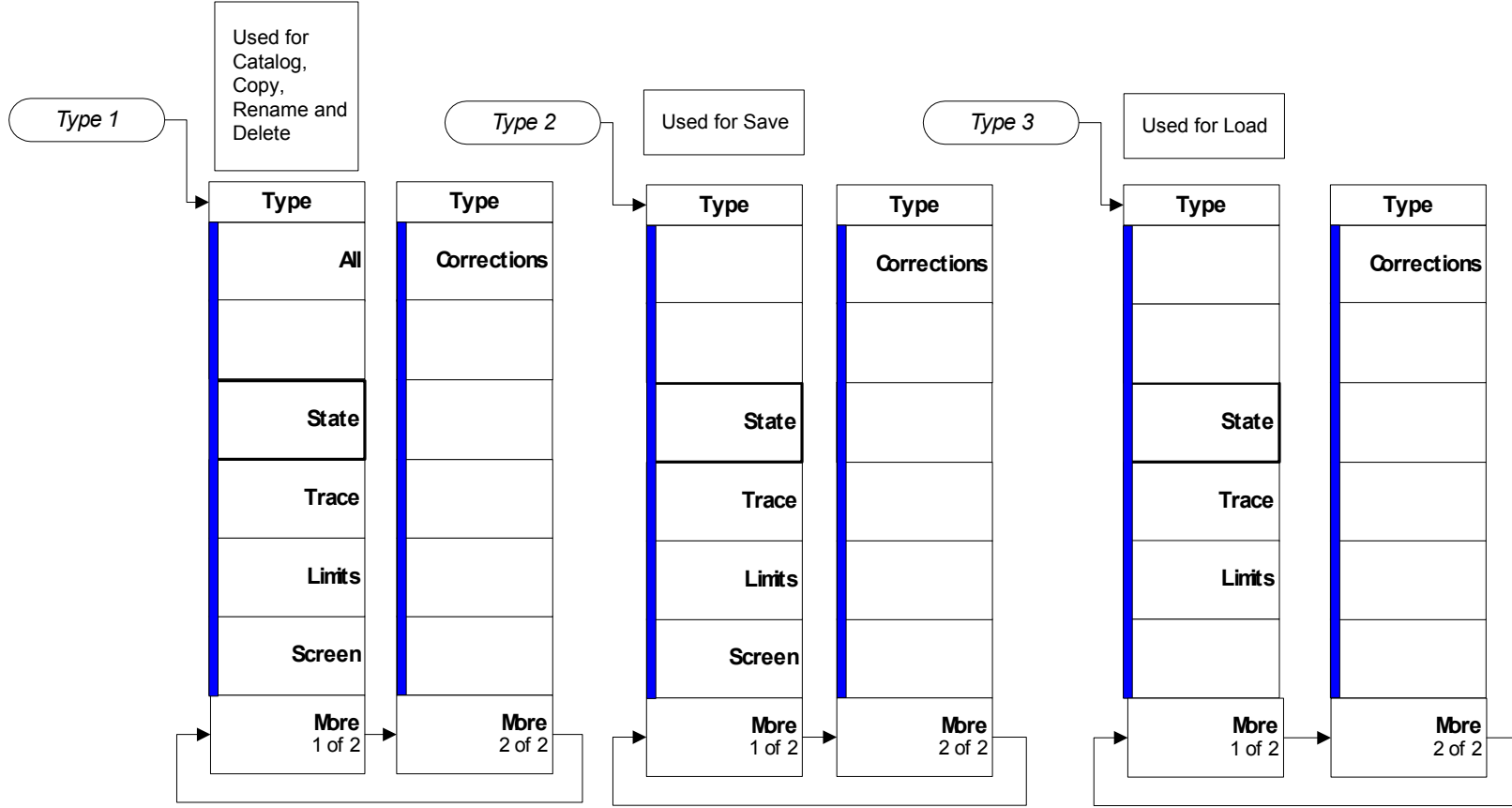
File (4)

File Key, 5 of 6 (See page 119)



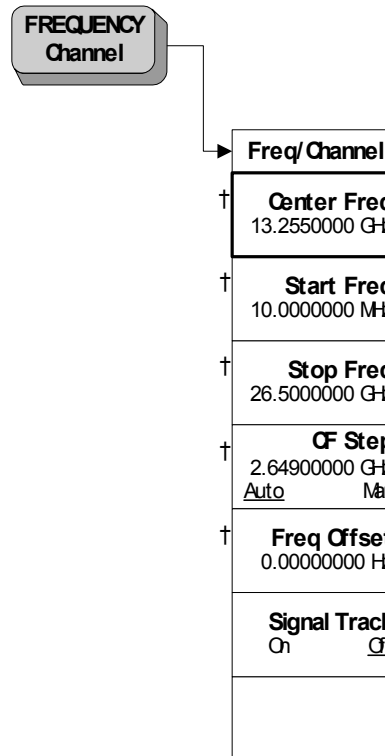
Menu Maps: Spectrum Analysis
File Key, 1 of 6 (See page 119)

File Key, 6 of 6 (See page 119)



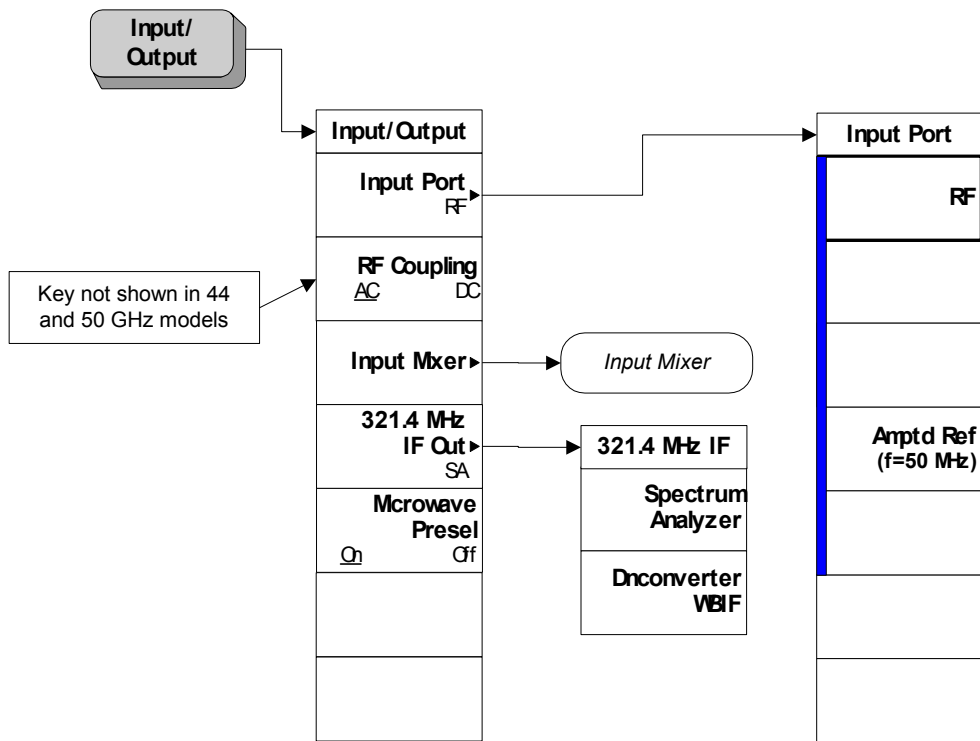
File (6)

FREQUENCY Channel Key (See page 149)



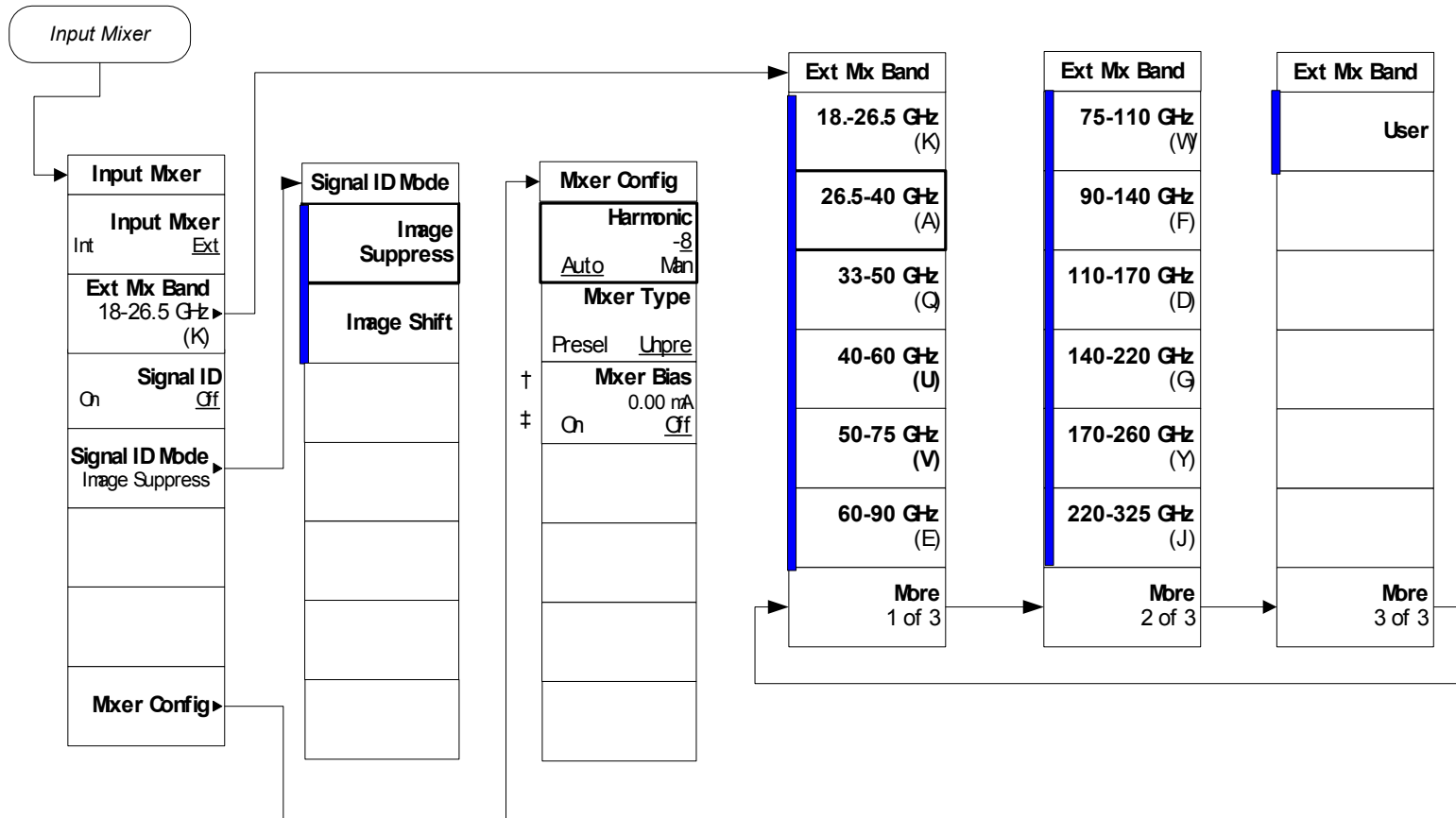
pe862a

Input/Output Key (See page 157)



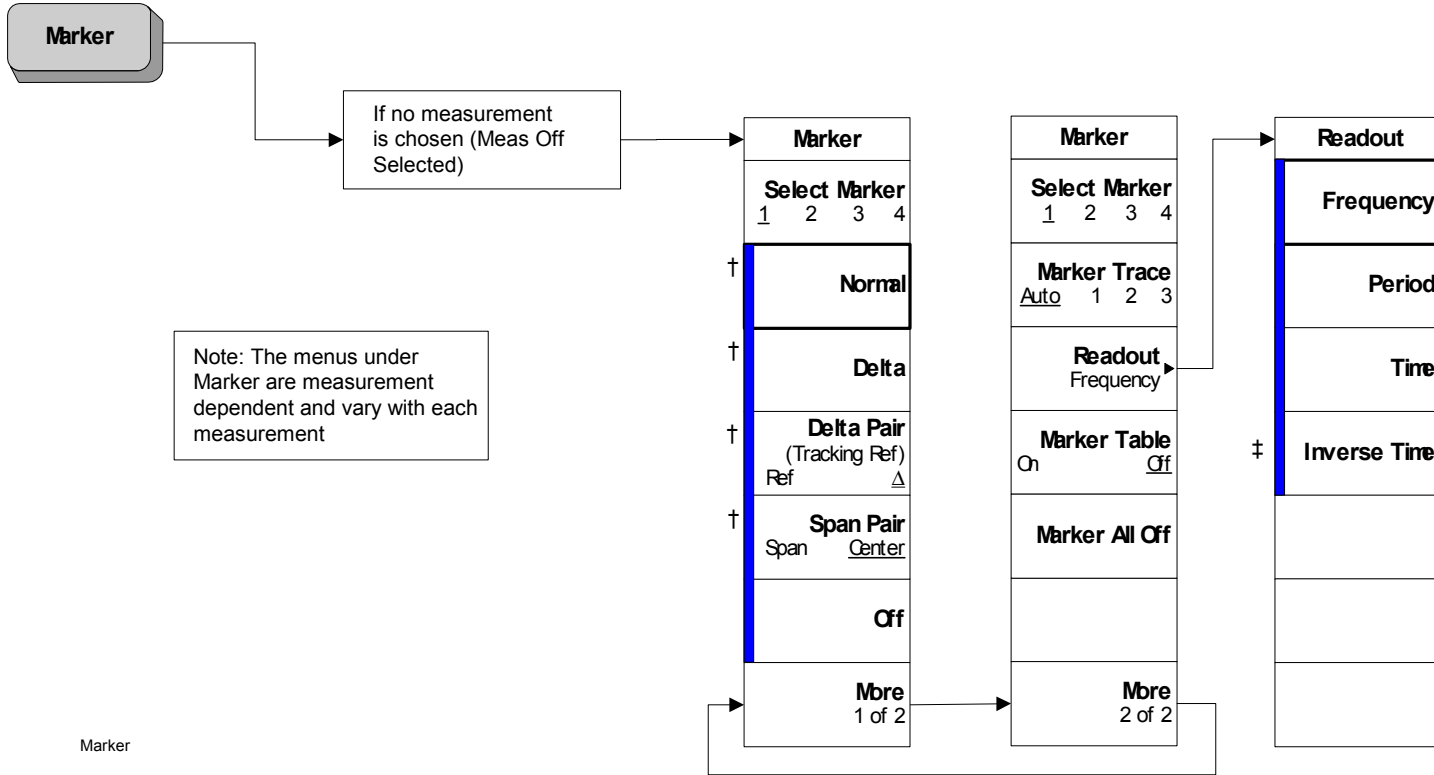
Input/Output

Input/Output, 2 of 2 (See page 157)

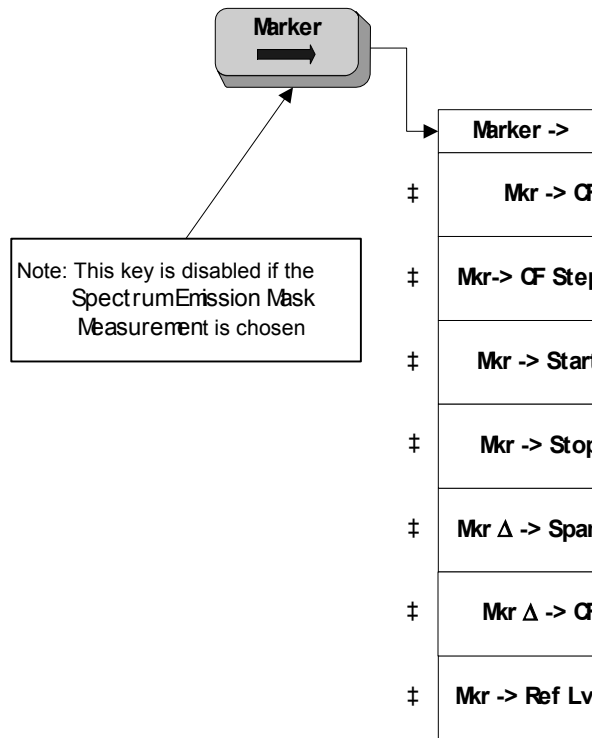


Input/Output(2)

Marker Key (See page 173)

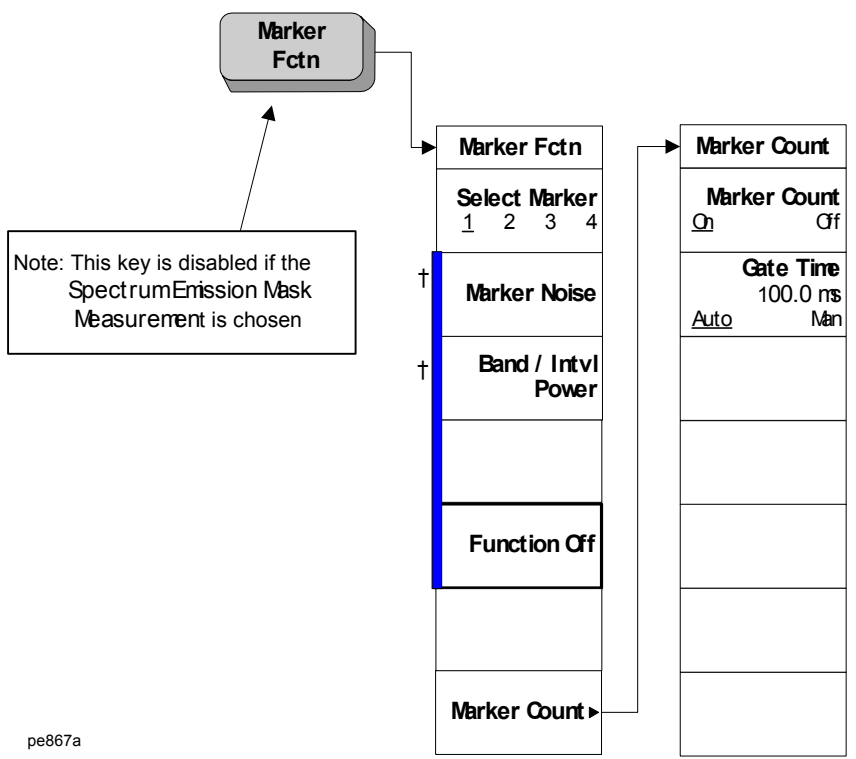


Marker --> Key (See page 193)



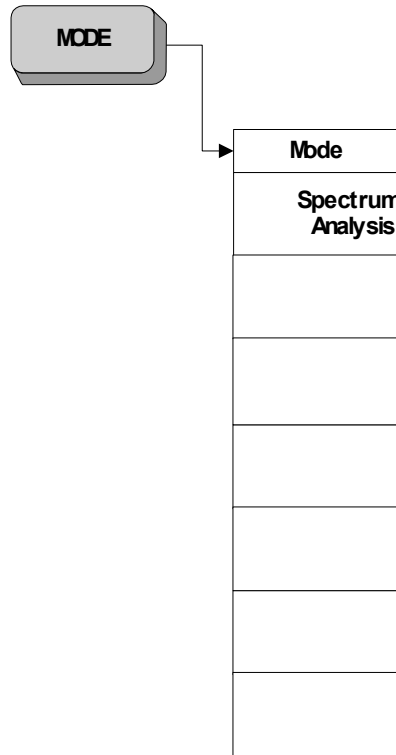
Marker ->

Marker Fctn Key (See page 187)



pe867a

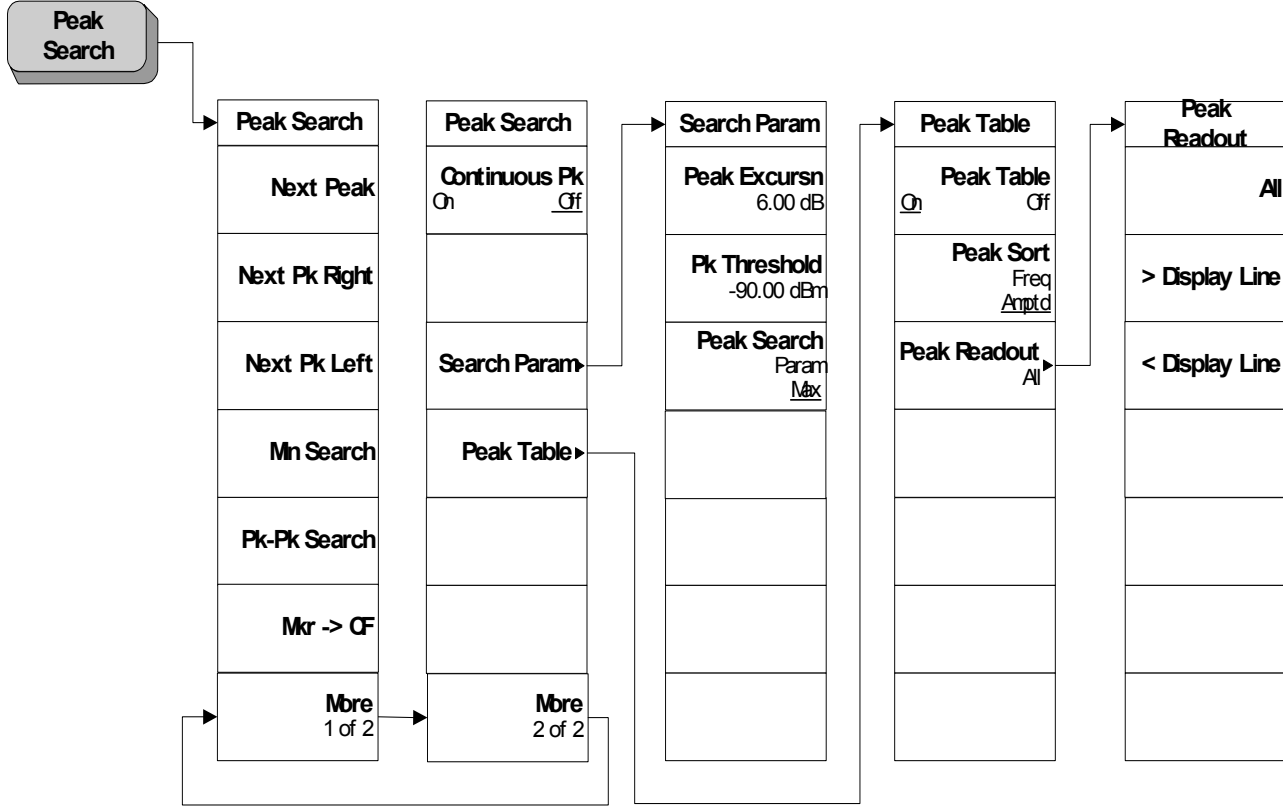
MODE Key (See page 197)



Note:when measurement applications are loaded, this menu contains a key for each loaded application. Please refer to the documentation for the specific application you are using for these menus.

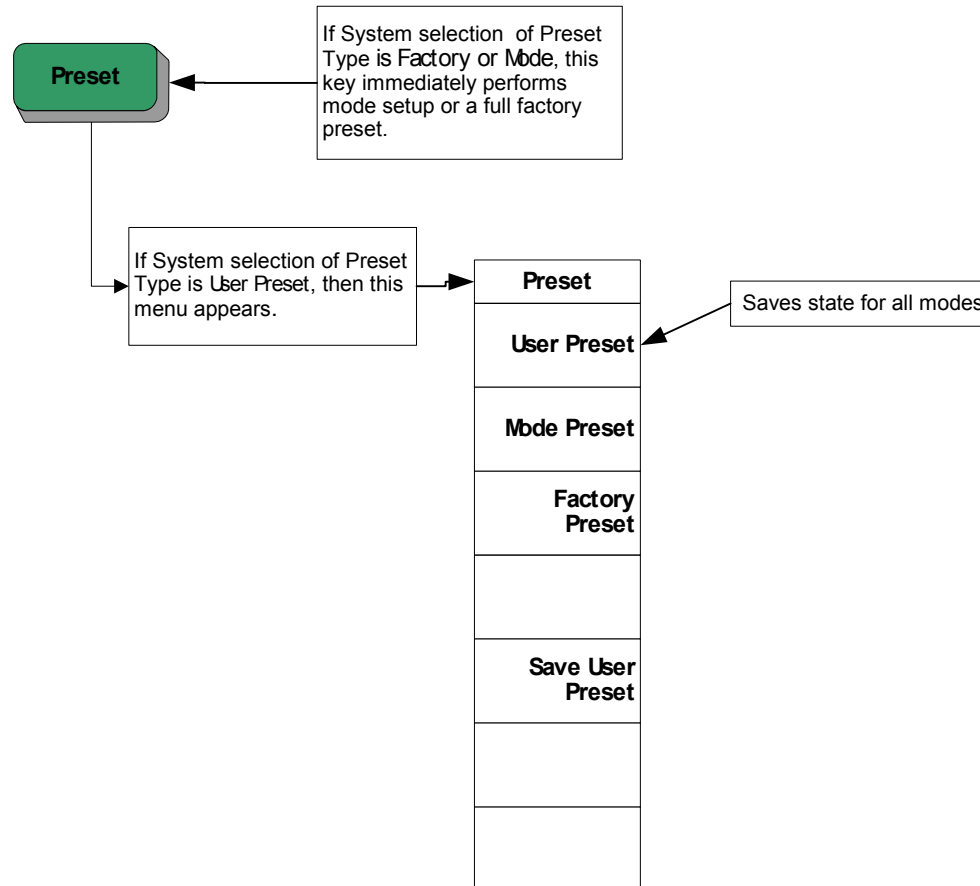
pe868a

Peak Search Key (See page 211)



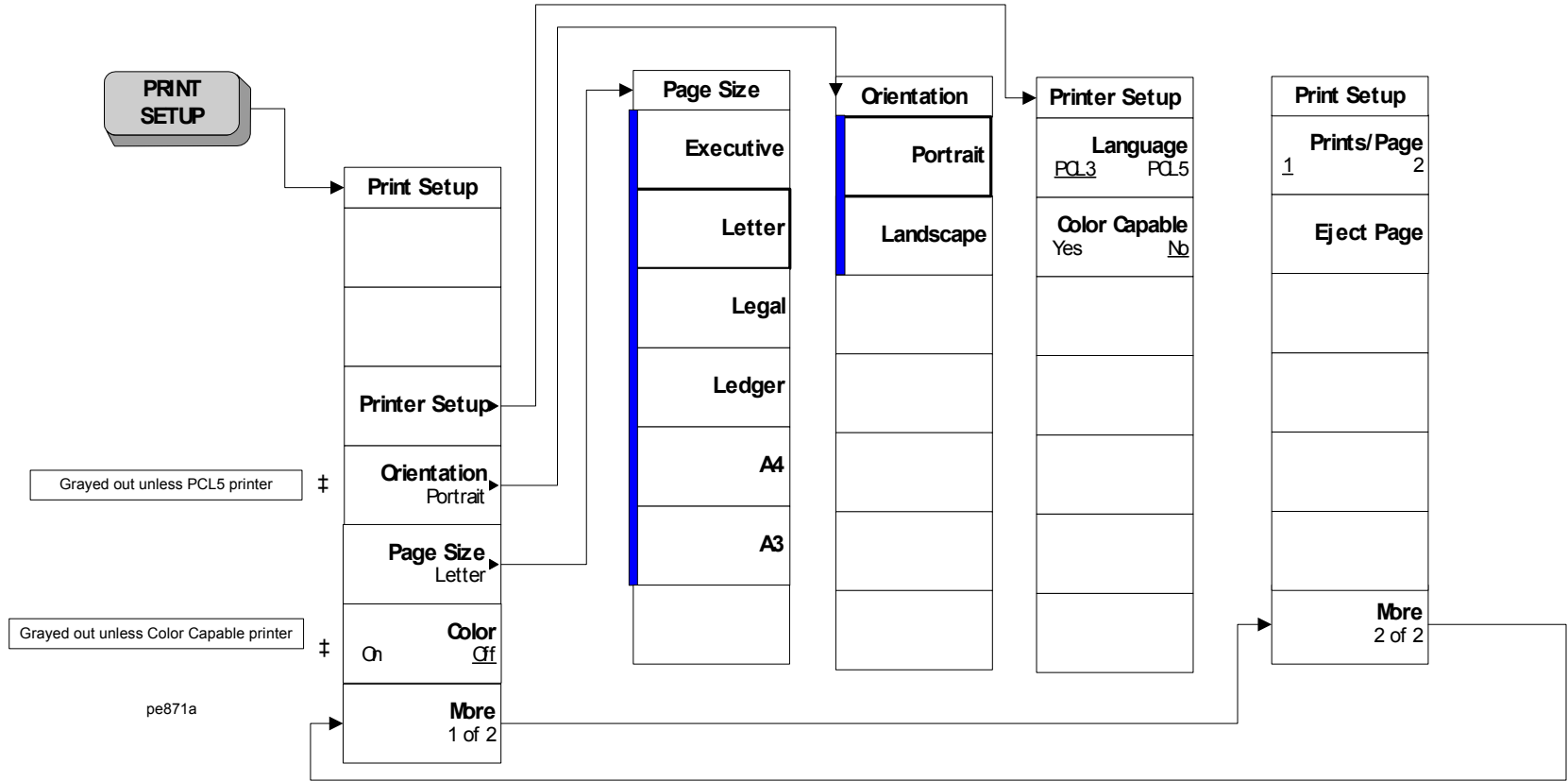
pe869a

Preset Key (See page 219)

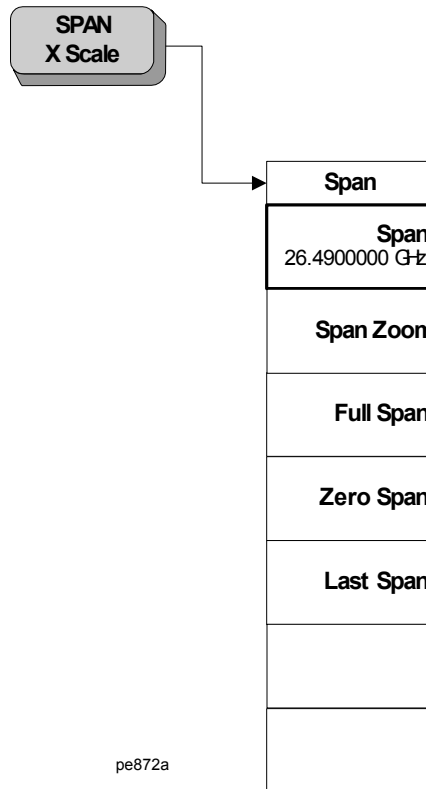


pe870a

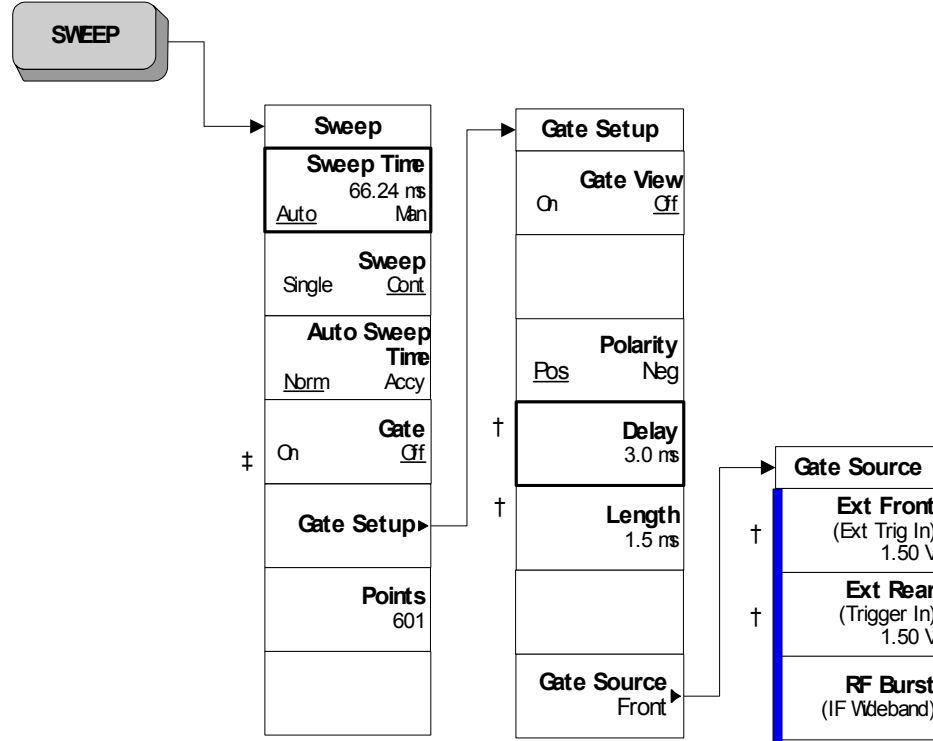
Print Setup Key (See page 215)



SPAN X Scale Key (See page 235)

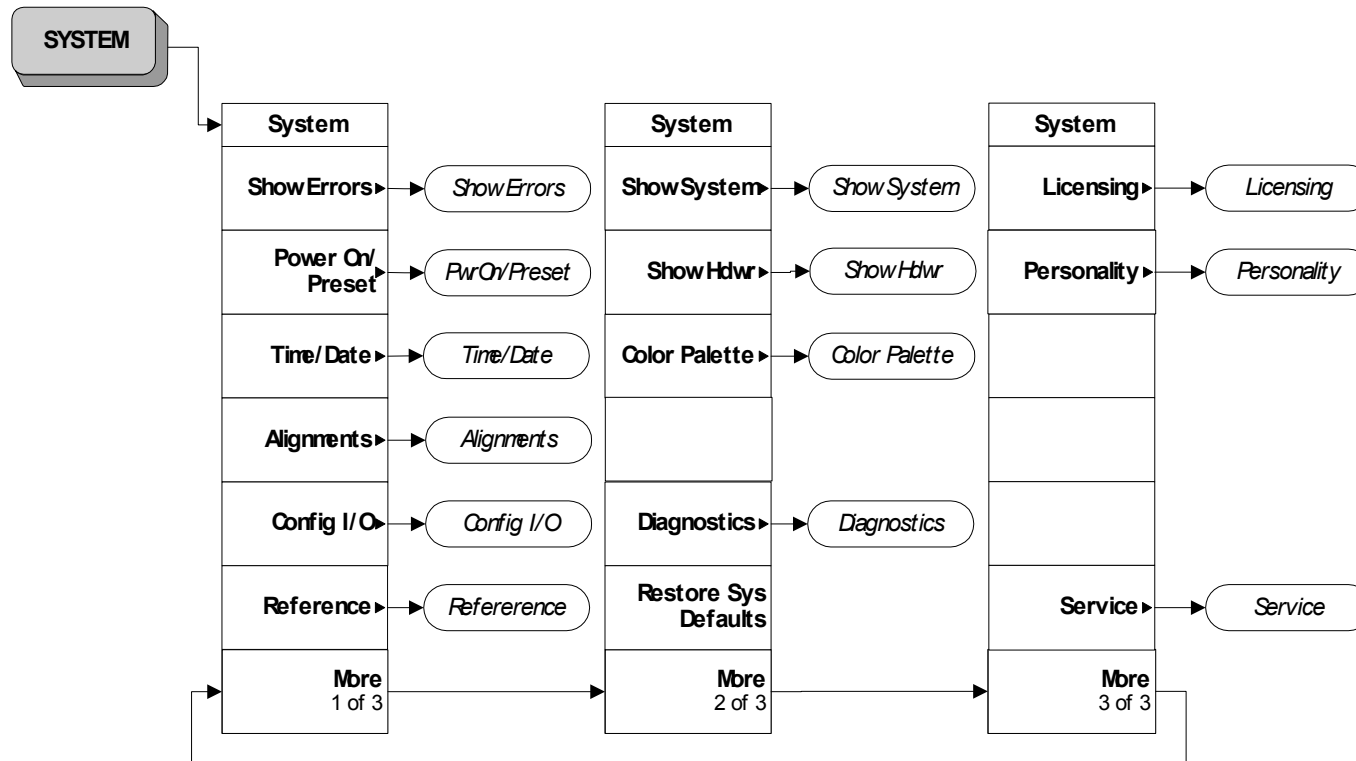


Sweep Key (See page 239)



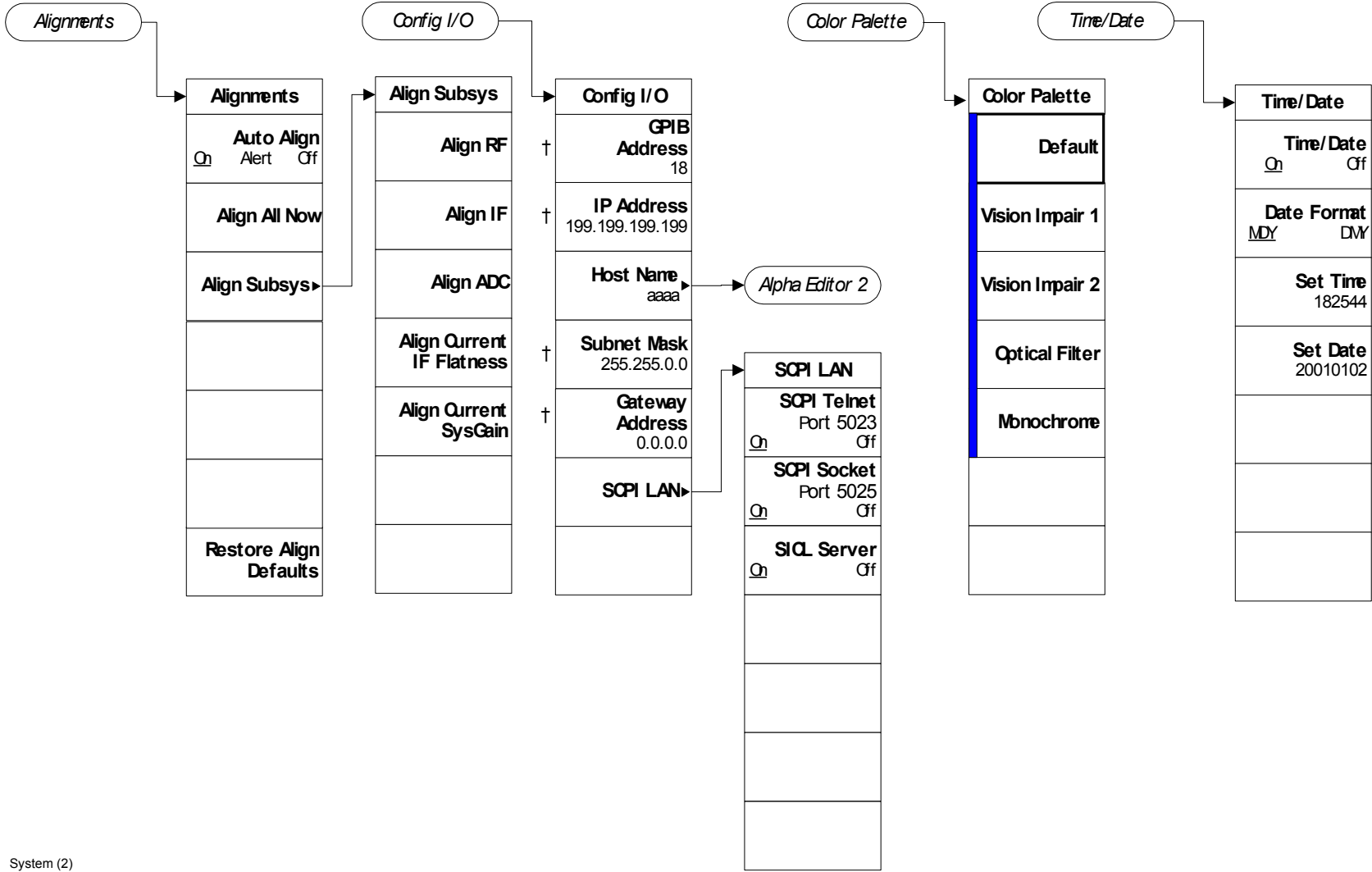
pe873a

System Key, 1 of 4 (See page 251)



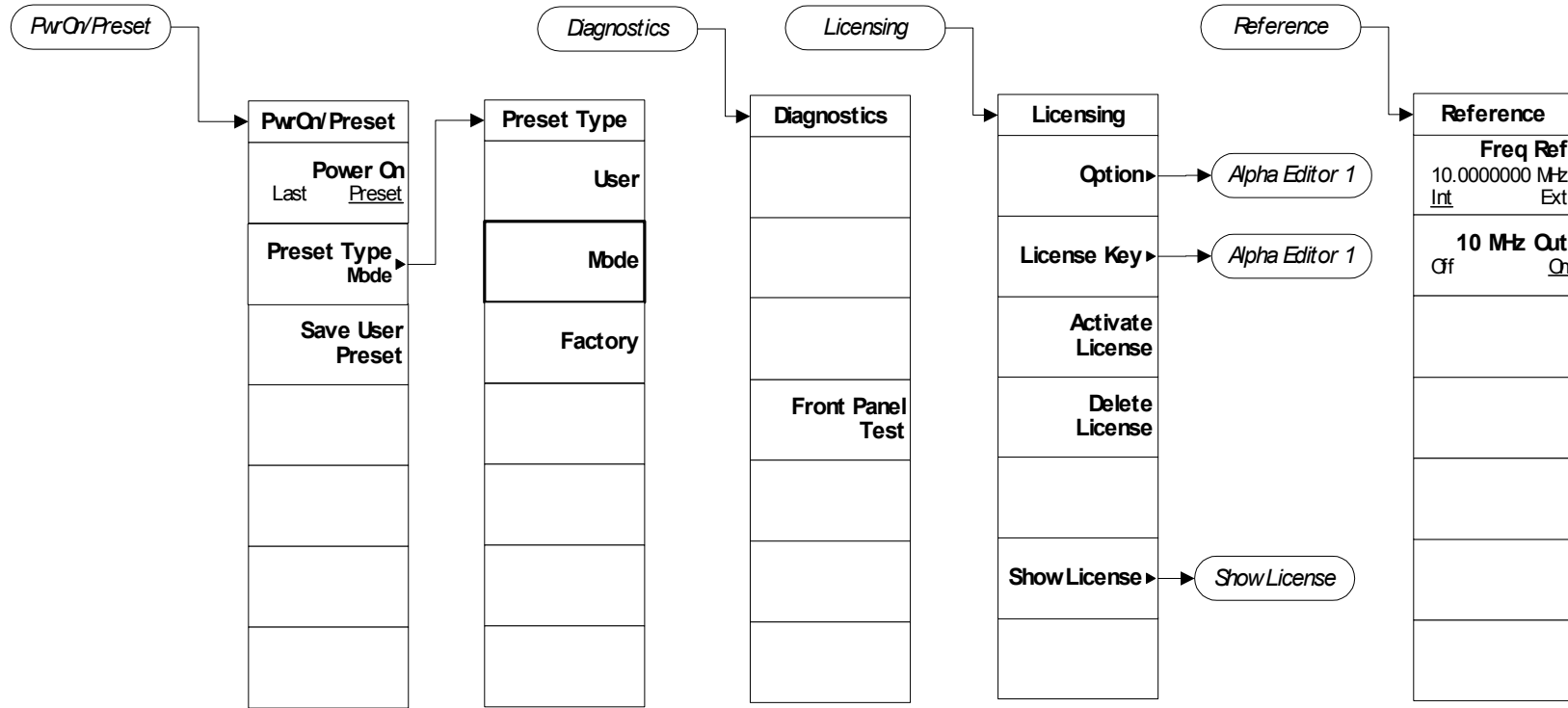
pe874a

System Key, 2 of 4 (See page 251)



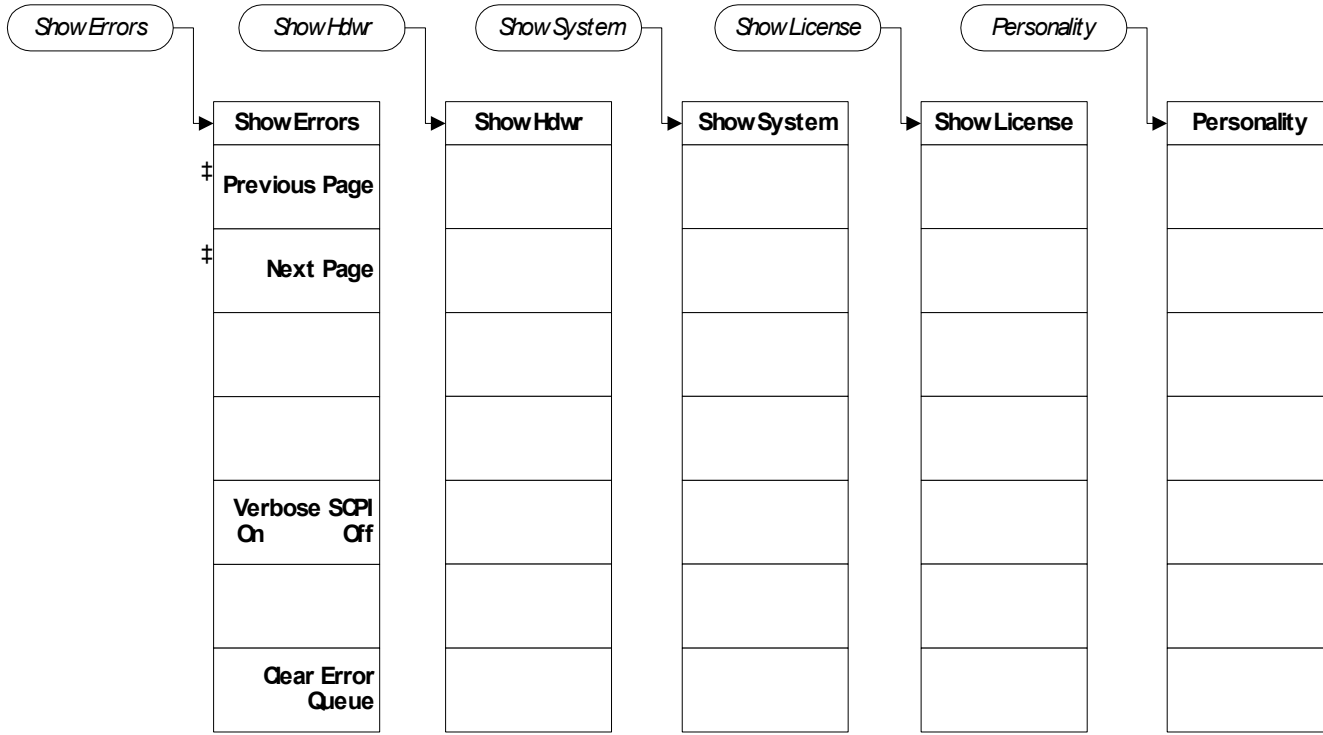
System (2)

System Key, 3 of 4 (See page 251)



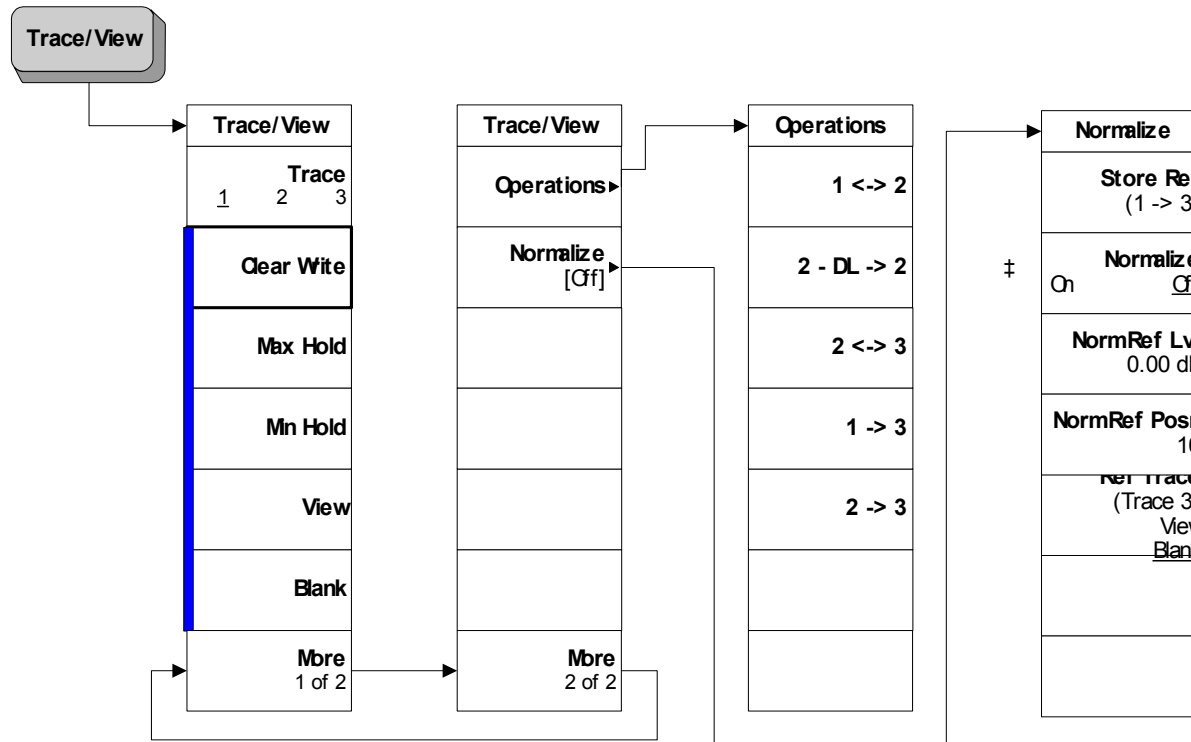
System (3)

System Key, 4 of 4 (See page 251)



System (4)

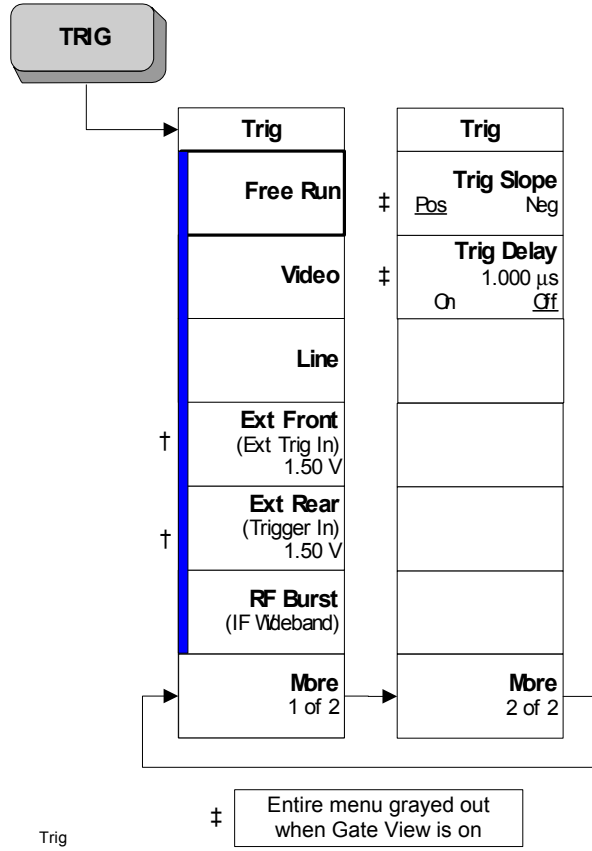
Trace/View Key (See page 287)



Trace/View

Menu Maps: Spectrum Analysis
Trace/View Key (See page 287)

Trig Key (See page 299)



Menu Maps: Spectrum Analysis
Trig Key (See page 299)

Symbols

- *CLS, 367
- *ESE, 379, 380
- *ESR?, 379
- *LRN, 385
- *RST, 31
- *SRE, 376
- *STB?, 376

Numerics

- 10 dB step, 57
- 10 MHz Out key, 275
- 2 dB step, 57
- 26 - 50 GHz key, 42
- 3 - 26 GHz key, 42
- 321.4 MHz output, 159, 160
- 488.2 IEEE commands, 383

A

- Activate key, 283
- ADC dither
 - automatic, 67
 - off, 69
 - on, 69
- ADC Dither key, 67
- ADC ranging
 - automatic, 70
 - bypass, 70, 71
- ADC Ranging key, 70
- align
 - now, 389
- Align ADC key, 265
- Align All Now key, 262
- Align Current IF Flatness key, 266
- Align Current SysGain key, 266
- Align IF key, 265
- Align RF key, 263
- Align Subsys key, 263
- aligning
 - ADC, 265
 - align all, 262
 - automatic align, 261
 - IF, 265
 - IF flatness, 266
 - RF, 263
 - subsystems, 263
 - system gain, 266
- alignment functions, 285
- alignments
 - time corrections, 267
- Alignments key, 260, 274
- All key, 123
- All Traces key, 132
- alpha editor
 - menu map, 409, 410

- Amplitude key, 109
- amplitude reference, 157
- amplitude Y scale
 - menu map, 411, 412
- AMPLITUDE Y Scale front-panel key, 35
- Amptd Interp key, 113
- Amptd Ref key, 157
- angle parameter (variables), 313
- Annotation key, 118
- antenna
 - correction, 52
- Antenna correction key, 52, 53, 54
- applet, 344
- applications
 - installing, 284
 - selecting, 203, 204, 206
- applications, selecting, 203
- Appling Corrections key, 51
- arbitrary block data, 314
- ASCII data format, 147
- Attenuation key, 36
- attenuator step
 - 10 dB, 57
 - 2 dB, 57
- Attn Step key, 57
- Auto Align key, 261
- Auto All key, 59
- auto couple, 59
 - menu map, 413, 414, 415
- AUTO COUPLE front-panel key, 59
- auto coupling
 - Auto All, 59
- Auto key, 80, 87
 - phase noise, 65
- Auto Sweep Time key, 241
- Autorange key
 - ADC ranging
 - autorange, 70
- Average key, 78, 89
- averaging, 78
 - log-power, 79
 - power, 79
 - traces, 402, 403
 - type, 82
 - Auto, 80
 - Log power, 80
 - power, 81
 - voltage, 82
 - video, 79
 - voltage, 79
- Avg/VBW Type key, 79, 82
 - phase noise, 67

B

- B,M,T measurements, 320
- Band/Intvl Power key, 189
- bandwidth power, 189
- bandwidth ratio
 - video to resolution, 76
- BASIC programming, 337
- binary data order, setting, 147
- bit_pattern parameter
 - (variables), 313
- Bitmap
 - format, 131
 - screen file, 121
- Bitmap key, 131
- Blank key, 291
- block data
 - arbitrary, 314
 - identifying block size, 314
 - parsing output, 314
- book
 - terms, 31
- book, using, 31
- boolean parameter (commands), 312
- bottom/middle/top
 - measurements, 320
- bus
 - clear command, 336
 - LAN, 329
 - LAN cable, 350
- BW/Avg
 - menu map, 416
- BW/Avg front-panel key, 73, 175, 176, 177, 178, 181, 182, 183, 184, 185, 198, 199, 200, 201, 202
- By Date key, 125
- By Extension key, 125
- By Name key, 125
- By Size key, 125
- Bypass key, 71
- byte order, setting data, 147

C

- C language
 - addressing sessions, 357
 - closing sessions, 359
 - compiling and linking, 353
 - creating, 352
 - example, 355
 - opening session, 355
 - sessions, 356
 - using VISA library, 352
 - using VISA transition library, 353, 355
- C programming, socket LAN, 344
- cable

- correction, 52
- cable, LAN, 350
- calibration
 - condition register, 395, 396
 - defaults, 267
 - frequency corrections on/off, 263
 - functions, 285
 - IEEE command, 383
 - monitoring status of, 380, 381
 - query, 383
 - time corrections, 267
- calibration condition register, 395, 396
- Catalog
 - key, 122
- Center Freq key, 150
- center frequency, marker to, 214
- CF Step key, 153
- Change Title key, 116
- changing
 - frequency span, 235, 236, 237
- Clear Error Queue key, 252
- clear status, IEEE command, 383
- Clear Title key, 117
- Clear Write key, 290
- clearing errors, 252
- CLS command, 368
- code, programming
 - compatibility across PSA modes, 324, 326
 - compatibility, PSA series versus VSA, 327
- Color Capable key, 225
- Color key, 228
- color palette
 - defaults, 277
 - selecting, 278
- Color Palette key, 277
- command complete, 385
- commands
 - boolean parameter, 312
 - compatibility across PSA modes, 324, 326
 - keyword parameter, 312
 - multiple on a line, 314
 - parameters, 312
 - PSA series versus VSA compatibility, 327
 - syntax, 309
 - termination, IEEE, 315
 - units parameter, 312
 - valid commands, 309
 - variable parameter, 312
 - variable parameter keywords, 312
- compatibility, programming
 - across PSA modes, 324
 - PSA series versus VSA, 327
- condition of instrument, 363, 367
- condition register, 367
- Config I/O key, 268
- configuration
 - GPIO address, 269
 - host ID, 270
 - host name, 270
 - IP address, 269, 271
 - LAN, 272
- configuring
 - mixer, 168
- Connected To Previous key, 109
- connection errors, 345
- connection refused error, 347
- connection timed out error, 347
- continuous measurements, 200
- Continuous Pk key, 214
- control keys, 33, 171, 209
- Control LAN Telnet key, 272
- Control SICL LAN key, 273
- Control Socket LAN key, 272
- controller, 360
- controlling
 - gate time, 191
- Copy key, 139
- Copy Now key, 140
- copying
 - files, 139, 140
- correction
 - antenna, 52, 53, 54
 - cable, 52
 - frequency, 54, 55, 56
 - other, 52
 - user, 52
- correction constant default, 267
- Corrections
 - file type, 121
- corrections
 - applying, 51
 - time, 267
- Corrections key, 51, 124
- counter, 190
- Coupling key, 158
- couplings, 31
- Create Dir key, 143
- Create Dir Now key, 144
- creating
 - directories, 143
 - directories now, 144
- CSV
 - format, 130
- CSV key, 130
- CSV trace type, 120
- D**
- data
 - arbitrary blocks, 314
 - data byte order setting, 147
 - data format, 147
 - data to a file moving, 146
 - date
 - display on/off, 258
 - displaying, 258
 - setting, 258
 - Date Format key, 258
 - dBm key, 44
 - dBmV key, 45
 - dBuV key, 46, 47, 48
 - debugging errors in programs, 252
 - default
 - color palette, 277
 - Default key, 277
 - defaults
 - LAN, 345
 - restoring system, 279
 - defining
 - limits, 102
 - definitions
 - dependencies/couplings, 31
 - example, 31
 - factory preset, 31
 - maximum value, 31
 - remote command, 31
 - state saved, 31
 - terms, 31
 - degree parameter(variables), 313
 - Delete
 - key, 283
 - Delete All key, 145
 - Delete All Limits key, 116
 - Delete All Now key, 145
 - Delete key, 138
 - Delete Limit key, 111
 - Delete Now key, 138
 - Delete Point key, 111
 - deleting
 - files, 138, 145
 - limits, 116
 - options, 283
 - Delta key, 176
 - Delta Pair key, 177
 - dependencies, 31
 - Dependencies/Couplings term, 31
 - destination
 - trace 1, 136
 - trace 2, 136
 - trace 3, 137
 - Destination key, 136
 - Det/Demod

- menu map, 417
- Det/Demod key, 85
- detection
 - auto on/off, 87
 - average, 89
 - negative peak, 91
 - normal, 89
 - peak, 90
 - RMS, 95
 - sample, 90
- detector
 - EMI, 91, 92, 93
 - MIL, 94
 - RMS averaging, 79
 - rules for auto selection, 88
- Detector key, 85
 - phase noise, 67
- device clear command, 336
- diagnostics, 285
- Diagnostics key, 279
- Dir From/To key, 141
- Dir Select key, 126, 133, 137, 139, 141, 143, 144
- Dir Up key, 126, 133, 137, 139, 141, 143, 144
- directories
 - creating, 143, 144
 - selecting, 137
- display
 - marker readout, 183
 - frequency, 183
 - inverse time, 184
 - period, 183
 - time, 184
 - menu map, 418, 419
 - on/off, 118
 - trace, 154
- Display front-panel key, 97
- display line
 - adjusting, 98, 99, 100, 101
- Display Line key, 98, 99, 100, 101
- display of gate setup, 244
- display windows
 - Marker Table, 185
- displaying
 - errors, 251
 - pages, 252
- divisions, scaling, 37
- documentation, using, 31
- E**
 - echo, lack of, 333
 - edge trigger setup, 245, 246
 - Edit key, 107
 - editing
 - amplitude, 109
 - connecting points, 109
 - deleting limits, 111
 - deleting points, 111
 - frequency, 108
 - limits, 107, 108, 109, 111
 - points, 108, 109, 111
 - Eject Page key, 227
 - EMI Average key, 92
 - EMI detection, 91, 92, 93
 - EMI Peak key, 93
 - enable register
 - service request, 370
 - error
 - operation status register, 380
 - questionable status register, 381
 - error handling, 363
 - error information, during execution, 252
 - error messages, 348
 - error monitoring, 388, 391
 - errors
 - clearing, 252
 - connecting remotely, 345
 - connection refused, 347
 - connection timed out, 347
 - displaying, 251
 - file moving/copying, 346
 - LAN troubleshooting, 344
 - no response from host, 347
 - packets lost, 346
 - timeout, 345
 - ESE command, 368
 - event enable register, 368
 - event register, 367
 - event status byte, enable and read, 383
 - event status enable, IEEE command, 383
 - event status register
 - query and clear, 384
 - Example term, 31
 - Ext Amp Gain key, 56
 - Ext Front key, 301
 - Ext Mix Band key, 161, 162, 163, 164, 165
 - Ext Rear key, 302
 - external 1 gate trigger, 246
 - external 2 gate trigger, 247
 - external amplifier gain, 56
 - External key, 42
 - external mixing, 158
- F**
 - factory defaults, 267
 - LAN, 345
 - Factory key, 257
 - Factory Preset key, 221
 - Factory Preset term, 31
 - faster measurements, display off, 118
 - FFT, 63
 - FFT & Sweep key, 60, 61, 63
 - FFTs/Span key, 64
 - file
 - all, 123
 - catalog, 122
 - copy, 139
 - copy now, 140
 - corrections, 124
 - delete, 138
 - delete now, 138
 - format, 130
 - limits, 124
 - load now, 134
 - menu map, 420, 421, 422, 423, 424, 425, 428
 - name, 132, 143, 144
 - renaming, 141
 - renaming now, 141
 - save, 126
 - save now, 127
 - screen, 124
 - sort, 124, 135, 139, 141, 142
 - state, 124
 - trace, 124
 - type, 129, 135, 140, 142, 123
 - file copying/moving errors, 346
 - File front-panel key, 119
 - file source, 131
 - all traces, 132
 - trace 1, 131
 - trace 2, 132
 - trace3, 132
 - file type, 120, 139
 - Corrections, 121
 - Limits, 121
 - Measurement Results, 121
 - Screen, 121
 - State, 120
 - Trace, 120
 - files
 - deleting, 145
 - limit lines, 134
 - filter
 - negative transition, 367
 - positive transition, 367
 - finding
 - peaks, 211, 212, 213, 214
 - finding programming errors in execution, 252
 - flatness corrections on/off, 263
 - format
 - Bitmap, 131

- CSV, 130
- Reverse Bitmap, 131
- Trace + State, 130
- Format key, 130
- format, data, 147
- Free Run key, 300
- Freq Interp key, 111
- Freq Offset key, 154
- Freq Ref key, 274
- frequency channel
 - menu map, 426
- FREQUENCY Channel
 - front-panel key, 149
- frequency condition register, 396, 397, 398
- frequency corrections on/off, 263
- frequency count, 190
- Frequency key, 54, 55, 56, 108, 183
- frequency parameter (variables), 313
- frequency reference, 274
- Front key, 246
- Front Panel Test key, 279
- front-panel features (see Getting Started guide), 31
- front-panel key
 - AMPLITUDE Y Scale, 35
 - AUTO COUPLE, 59
 - Display, 97
 - File, 119
 - FREQUENCY Channel, 149
 - Input/Output, 157
 - Marker, 173
 - Marker -->, 193
 - Marker Fctn, 187
 - Meas Setup, 198
 - Measure Control, 199
 - MODE, 203
 - Mode Setup, 207
 - Peak Search, 211
 - Preset, 219
 - Print, 223
 - Print Setup, 224
 - Restart, 229
 - Save, 231
 - Single, 233
 - SPAN X Scale, 235
 - SWEEP, 239
 - System, 251
 - Trace/View, 287
 - TRIG, 299
- front-panel keys
 - Det/Demod, 85
 - MEASURE, 197
- Full Screen key, 97
- Full Span key, 236
- Function Off key, 190
- G**
- Gate Delay key, 245
- Gate key, 242
- Gate Length key, 246
- Gate Setup key, 244
- Gate Source key, 246
- Gate Time key, 191
- gate trigger source
 - front/external 1, 246
 - Front/RF burst, 248
 - rear/external 2, 247
- Gate View key, 244
- Gated FFT
 - measurement, 63
- gated sweep functionality, 242
- GPIB Address key, 269
- GPIB bus information, 360
- GPIB command statements, 360
- H**
- hardware
 - monitoring status of, 381
- hardware status, 363, 367, 391
- Harmonic key, 168
- high frequency signals, using
 - external mixers, 158
- Host ID, 270
- Host Name key, 270
- HP BASIC, 337
- HP VEE, over socket LAN, 342
- HP VISA libraries, 338
- HP-IB address, 269
- I**
- identification mode, 167
- identity, IEEE command
 - options, query
 - model number, query, 384
- IEEE command, 385
- IEEE command termination, 315
- IEEE command, event status
 - enable, 383
- IEEE common commands
 - *commands, IEEE, 383
- IF output, 159, 160
- Image Shift key, 167
- Image Suppress key, 167
- initiate measurement, 201, 389
- Input Port key, 157
- input/output
 - menu map, 427
- Input/Output front-panel key, 157
- instrument preset, 388
- instrument status, 363, 367, 391
 - monitoring, 388
 - monitoring status monitoring, 389
- Int Preamp key, 50
- integer variable (variables), 312
- integrity condition register, 398, 399
- integrity signal condition register, 400, 401
- Inverse Time key, 184
- IP Address key, 269, 271
- J**
- Java
 - program, 344
 - programming socket LAN, 344
- K**
- key press counter, 279
- keyboard lock, 285
- keys
 - control, 33, 171, 209
- keyword parameter (commands), 312
- L**
- LabView, using it over LAN, 342
- LAN
 - bus, 329
 - C program, 344
 - cable, 350
 - Java program, 344
 - SICL, 273, 337
 - socket programming, 336
 - sockets, 273
 - telnet, 272, 332
 - types of access, 272
 - using, 329
 - VEE program, 342
- LAN defaults, 345
- LAN troubleshooting, 344
- Landscape key, 226
- Language key, 225
- Last Span key, 237
- License Key
 - key, 281
- Licensing key, 281, 284
- limit
 - off, 104
 - on, 104
 - test off, 105
 - test on, 105
- Limit 1 key, 103
- Limit 2 key, 103
- Limit key, 104
- limit type, 103

- Limits
 - file type, 121
 - limits
 - amplitude, 109
 - connecting points, 109
 - deleting, 116
 - deleting limits
 - editing
 - limits, 111
 - deleting points, 111
 - editing, 107
 - fixed, 115
 - interpolation, 111, 113
 - Lin, 111, 113
 - Log, 111, 113
 - lower, 103
 - margin, 106
 - point, 108
 - relative, 115
 - segments, 114
 - test, 105
 - time, 108
 - units, 114
 - upper, 103
 - Limits key, 102, 115, 124
 - Line key, 301
 - Linear
 - scale type, 38
 - listener, 360
 - Load key, 133
 - Load Now key, 134
 - loading
 - files, 134
 - limit lines from file, 134
 - local echo, lack of, 333
 - locating
 - peaks, 211, 212, 213, 214
 - Log
 - scale type, 38
 - log-power averaging, 79
 - Log-Pwr Avg key, 80
 - lower
 - limit type, 103
 - lower limit, 103
- M**
- manual, using, 31
 - margin
 - off, 106
 - on, 106
 - Margin key, 106
 - marker
 - menu map, 429
 - moving to center frequency, 214
 - Marker --> front-panel key, 193
 - Marker ->CF key, 193
 - Marker ->CF Step key, 193
 - Marker ->Ref Lvl key, 196
 - Marker ->Start key, 194
 - Marker ->Stop key, 194
 - Marker All Off key, 185
 - marker control mode
 - Delta, 176
 - Delta Pair, 177
 - Normal, 175
 - Span Pair, 178
 - Marker Count key, 190
 - access, 190
 - Marker Δ ->Span key, 195
 - marker fctn
 - menu map, 431
 - Marker Fctn front-panel key, 187
 - Marker front-panel key, 173
 - marker function, 187
 - Marker Noise key, 187
 - Marker Table key, 185
 - marker to
 - menu map, 430
 - Marker Trace key, 182
 - markers
 - all off, 185
 - bandwidth power, 189
 - frequency readout, 183
 - inverse time readout, 184
 - moving, 193, 194, 195, 196, 211, 212
 - off, 181, 185, 190
 - peak
 - continuous, 214
 - excursion, 215
 - minimum search, 213
 - next, 212
 - next left, 213
 - next right, 212
 - search, 217
 - threshold, 216
 - peak to peak search, 213
 - period readout, 183
 - readout, 183
 - search
 - parameters, 214
 - selecting, 175, 182
 - time readout, 184
 - to center frequency, 193
 - to center frequency step, 193
 - to reference level, 196
 - to span, 195
 - to start frequency, 194
 - to stop frequency, 194
 - trace assignment, 182
 - markers off, 175
 - Max Hold key, 290
 - Max Mixer Lvl key, 58
 - Maximum Value term, 31
 - Meas Setup front-panel key, 198
 - Measure Control front-panel key, 199
 - MEASURE front-panel key, 197
 - Measure key, 200
 - measurement
 - gated FFT, 63
 - resume, 199
 - measurement errors
 - monitoring status of, 381
 - measurement modes
 - selecting, 203, 204, 206
 - Measurement Results
 - file type, 121
 - measurements
 - aborting, 202
 - bottom/middle/top, 320
 - increasing speed, 317
 - pausing, 200
 - resuming, 200
 - menu map
 - alpha editor, 409, 410
 - amplitude Y scale, 411, 412
 - auto couple, 413, 414, 415
 - BW/Avg, 416
 - Det/Demod, 417
 - display, 418, 419
 - file, 420, 421, 422, 423, 424, 425, 428
 - frequency channel, 426
 - input/output, 427
 - marker, 429
 - marker fctn, 431
 - marker to, 430
 - mode, 432
 - peak search, 433
 - preset, 434
 - span X scale, 436
 - sweep, 437
 - system, 438
 - trace/view, 442
 - trig, 443
 - message
 - to other users, 285, 286
 - MIL detection, 94
 - MIL Peak key, 94
 - millimeter signals, using external mixers, 158
 - Min Hold key, 290
 - Min Search key, 213
 - mixer
 - configuration, 168
 - Mixer Bias key, 169
 - Mixer Config key, 168
 - mixer level
 - adjusting, 58
 - Mixer Type key, 169

- mixers, external, 158
 - Mkr to CF key, 214
 - mode
 - menu map, 432
 - signal ID, 167
 - MODE front-panel key, 203
 - Mode key, 256
 - Mode Preset key, 221
 - Mode Setup front-panel key, 207
 - modes/applications
 - loading, 284
 - monitoring errors, 388
 - monitoring instrument
 - conditions, 380, 381
 - monitoring instrument status, 391
 - monitoring status, 389
 - monitoring the instrument, 363, 367
 - Monochrome key, 278
 - moving
 - data to a file, 146
 - markers, 193, 194, 195, 196, 211
 - multiple users, system message to, 285, 286
- N**
- Name key, 132, 143, 144
 - naming
 - files, 132, 143, 144
 - Negative Peak key, 91
 - negative transition filter, 367
 - Next Page key, 252
 - Next Peak key, 212
 - Next Pk Left key, 213
 - Next Pk Right key, 212
 - no response from host error, 347
 - Normal key, 89, 175
 - numeric data file format
 - setting, 147
- O**
- Off key marker, 181
 - one measurement, 200
 - OPC command, 368
 - openSocket, 344
 - operation complete, IEEE
 - command, 385
 - operation condition register, 391, 392
 - operation status, 391
 - operation status register, 380
 - Optical Filter key, 278
 - Optimize L(f) key
 - frequencies, 66
 - frequencies>50 kHz, 66
 - Optimize LO key
 - fast tuning, 66
 - Option
 - key, 281
 - Option 123
 - 321.4 MHz IF output, 159, 160
 - preselector selection, 160
 - option 124 Video Out connector, 242
 - options
 - activating, 283
 - deleting, 283
 - query, 385
 - selecting, 206
 - options, IEEE command, 385
 - Opton 1DS, 50
 - Order Up Down key, 125
 - orientation
 - landscape, 226
 - portrait, 226
 - Orientation key, 226
 - other
 - correction, 52
 - other users
 - system message to, 285, 286
 - output
 - 321.4 MHz, 159, 160
 - output data, identifying block
 - size, 314
- P**
- packet errors, 346
 - Page Size key, 227
 - pages
 - displaying next, 252
 - displaying previous, 252
 - paper orientation, 226
 - parameter (variables), 312
 - parameters (commands), 312
 - parameters, variable, 312
 - Pause key, 200
 - Peak Excursn key, 215
 - Peak key, 90
 - peak search
 - menu map, 433
 - Peak Search front-panel key, 211
 - Peak Search key, 217
 - percent parameter (variables), 313
 - Period key, 183
 - persistent settings, 345
 - personalities
 - selecting, 203, 204, 206
 - phase noise
 - Auto, 65
 - optimization, 65, 66
 - phase parameter(variables), 313
 - PHNoise Opt key
 - phase noise optimization, 65
 - pinging the analyzer, 348
 - Pk Threshold key, 216
 - Pk-Pk Search key, 213
 - Point key, 108
 - Points key, 248
 - Polarity key, 245
 - Portrait key, 226
 - positive transition filter, 367
 - power
 - toggling internal preamp, 50
 - Y Axis Units, 43
 - dBm, 44
 - dBmV, 45
 - dBuV, 46, 47, 48
 - volts, 45
 - watts, 45
 - power averaging, 79
 - power condition register, 403, 404
 - power on
 - preset, 253
 - Power On key, 254
 - Power On/Preset key, 253
 - power parameter (variables), 313
 - power-on
 - time, 286
 - power-on status clear, IEEE
 - command, 387
 - preamp, internal, 50
 - Presel Adjust key, 40
 - Presel Center key, 38
 - preselector
 - adjusting, 40
 - selection, 42
 - preselector center, 38
 - preselector selection, 42, 160
 - Preset
 - factory, 221
 - mode, 221
 - power on, 253
 - user, 220
 - preset, 388
 - factory, 257
 - menu map, 434
 - mode, 256
 - saving, 222, 257
 - status registers, 393
 - user, 255
 - preset defaults
 - LAN, 345
 - Preset front-panel key, 219
 - Preset Type key, 255
 - Previous Page key, 252
 - print
 - aborting, 223
 - Print front-panel key, 223

Print Setup front-panel key, 224
printer
 color, 228
 color capability, 225
 compatibility, 224
 eject page, 227
 language
 PCL3, 224
 PCL5, 224
 language, PL3/PL5, 225
 orientation, 226
 landscape, 226
 portrait, 226
 paper size, 227
 printer language, 224
 prints per page, 227
printer setup, 224
Printer Setup key, 224
printer, parallel
 HP printers, 224
printing
 monitoring status of, 380
printout orientation, 226
Prints/Page key, 227
programmer's reference, using, 31
programming
 command parameters, 312
 command syntax, 309
 compatibility among PSA
 modes, 324, 326
 compatibility, PSA series versus
 VSA, 327
 example using C language, 355
 SCPI basics, 309
 socket LAN, 336, 344
 using C language, 352
 valid commands, 309
 via LAN, 336
 with C, 344
 with Java, 344
programming commands, IEEE,
 383
programming errors, debug
 information, 252
PSA series versus VSA
 (programming compatibility),
 327
Pwr Avg key, 81

Q
Quasi Peak key, 91
questionable condition register,
 393, 394
questionable status register, 380,
 381

R
ratio
 VBW/RBW, 76
Readout key, 183
real number data format, 147
Rear key, 247
rear-panel features (see Getting
 Started guide), 31
recall, IEEE command, 387
Ref Level key, 35
Ref Lvl Offset key, 49
reference level key, 35
reference level offset, 49
register
 calibration condition, 395, 396
 frequency condition, 396, 397,
 398
 integrity condition, 398, 399
 integrity signal condition, 400,
 401
 operation condition, 391, 392
 power condition, 403, 404
 questionable condition, 393, 394
 temperature condition, 405, 406
registers, 370
 calibration condition, 395, 396
 condition, 367
 event, 367
 event enable, 368
 operation, 380
 questionable, 380
 service request enable, 377
 standard event status, 378
 status byte, 376
relative power parameter
 (variables), 313
Remote Command term, 31
Rename key, 141
Rename Now key, 141
renaming
 files, 141
Res BW key, 73
reset, IEEE command, 388
resolution bandwidth, 73
 adjusting, 73
Resolution BW Auto Man, 73
Restart front-panel key, 229
restart the measurement, 199
Restor Sys Defaults key, 279
Restore Align Defaults key, 267
restoring
 defaults, 267
 system defaults, 279
results data, identifying block
 size, 314
Resume key, 200
resume the measurement, 199

Reverse Bitmap
 format, 131
Reverse Bitmap key, 131
RF burst gate trigger, 248
RF Burst key, 248, 302
RF Coupling key, 158
RF key, 157
RMS detection (averaging), 81
RMS detection command
 (averaging), 79, 95
RST term, 31

S
Sample key, 90
save
 file, 126
Save front-panel key, 231
Save key, 126
Save Now key, 127
Save User Preset key, 222, 257
save, IEEE command, 388
saved
 state, 31
saving
 trace data, 145
 user preset, 222, 257
scale per division, 37
scale type
 Linear, 38
 Log, 38
Scale Type key, 38
Scale/Div key, 37
SCPI
 version of, 286
SCPI errors during execution, 252
SCPI LAN
 control, 273
 socket, 272
 telnet, 272
SCPI LAN key, 272
SCPI language
 basic info, 309
 command parameters, 312
 command syntax, 309
 keyword parameters, 312
 valid commands, 309
screen divisions, scaling, 37
Screen file type, 121
Screen files
 Bitmap, 121
Screen key, 124
Search Param key, 214
searching
 parameters, 214
 peak excursion, 215
 peak threshold, 216
 peaks, 211, 212, 213, 214

- Select Marker key, 175
- selecting
 - ac coupling, 158
 - amplitude reference, 157
 - color palette, 278
 - dc coupling, 158
 - directories, 126, 133, 137, 139, 141, 143, 144
 - display color schemes, 277, 278
 - external mixing, 161, 162, 163, 164, 165
 - frequency reference
 - external, 274
 - internal, 274
 - instrument modes, 204
 - marker pairs, 175
 - markers, 175
 - Marker Trace, 182
 - mixing bands, 161, 162, 163, 164, 165
 - modes, 204
 - signal ID, 167
 - signal indent, 166
 - single or continuous sweep, 240
 - source, 141
 - sweep time, 239
 - sweep type
 - FFTs/Span, 64
 - time gate, 242, 244
- selecting printer paper size, 227
- selecting the preselector, 42, 160
- self-test, 389
- serial number, query, 384
- Service key, 285
- service request enable register, 370, 377
- service request, IEEE command, 388
- service requests, 363, 367, 371
- Set Date key, 260
- Set Time key, 259
- setting
 - center frequency, 150
 - center frequency step, 153
 - date, 260
 - frequency offset, 154
 - numeric data file format, 147
 - parameters
 - peak search, 217
 - start frequency, 151
 - stop frequency, 152
 - the input port, 157
 - time, 259
 - time and date, 258
 - trigger
 - external trigger input, 301, 302
 - free run, 300
 - line, 301
 - offset, 304
 - polarity, 302
 - RF Burst, 302
 - time delay, 303
 - video, 300
 - setup gate view, 244
 - show errors, 251
 - Show Errors key, 251
 - Show Hdwr key, 276
 - Show License key, 283
 - Show System key, 275
 - showing
 - hardware, 276
 - license, 283
 - system, 275
 - SICL LAN, 337
 - SICL over LAN, 273
 - Signal ID Mode key, 167
 - Signal Indent key, 166
 - Signal Track key, 155
 - Single front-panel key, 233
 - single measurement, 200
 - socket LAN
 - programming, 342
 - with C program, 344
 - with Java program, 344
 - socket programming, 336
 - sockets over LAN, 273
 - sort
 - by date, 125
 - by extension, 125
 - by name, 125
 - by size, 125
 - order up down, 125
 - Sort key, 124, 135, 139, 141, 142
 - source
 - selecting, 141
 - Source key, 131
 - Span key, 235, 236
 - Span Pair key, 178
 - span X scale
 - menu map, 436
 - SPAN X Scale front-panel key, 235
 - Spectrum Analysis key, 204
 - SRE command, 368
 - SRQ, 363, 367, 388
 - SRQ command, 371
 - standard event status, 378
 - enable register, 380
 - standard event status byte,
 - enable and read, 383
 - standard event status register,
 - IEEE command, 384
 - Start Freq key, 151
 - start measurement, 201, 389
 - State
 - file type, 120
 - state
 - get data, 385
 - recalling, 387
 - saved, 31
 - saving, 388
 - State key, 124
 - State Saved term, 31
 - states
 - automatic detection, 87
 - status
 - preset, 393
 - status byte
 - clearing, 383
 - register system, 363, 367, 373, 374
 - status byte register, 375
 - status byte, IEEE command, 389
 - status enable register, 380
 - status register
 - operation status, 380
 - questionable status, 381
 - status registers, 373, 374
 - operation, 380
 - questionable, 380
 - setting and querying, 368
 - status subsystem, 391
 - STB command, 368
 - Stop Freq key, 152
 - string parameter (variables), 313
 - Subnet Mask key, 271
 - sweep
 - menu map, 437
 - monitoring status of, 380
 - Sweep Cont/Single key, 240
 - SWEEP front-panel key, 239
 - sweep points, 248
 - sweep states, switching, 241
 - Sweep Time key, 239
 - sweep time, automatic, 241
 - sweep trigger edge setup, 245
 - sweep trigger edge setup, 245, 246
 - synchronization, 385, 390
 - system
 - menu map, 438
 - System front-panel key, 251
 - system message, 285, 286

T

 - talker, 360
 - telnet over LAN, 272
 - telnet, using, 332
 - temperature condition register, 405, 406

- terms
 - *RST, 31
 - book, 31
 - definition, 31
 - dependencies/couplings, 31
 - example, 31
 - factory preset, 31
 - maximum value, 31
 - maximum valuet, 31
 - remote command, 31
 - state saved, 31
 - test
 - limits, 105
 - margin, 106
 - Test key, 105
 - test, IEEE command, 389
 - throughput, improving, 317
 - time
 - display on/off, 258
 - displaying, 258
 - setting, 258, 259
 - time corrections, 267
 - time gate, 242, 244
 - Time key, 184
 - limits
 - frequency, 108
 - time parameter (variables), 313
 - time selective spectrum analysis, 70
 - time since power-on, 286
 - Time/Date key, 258
 - timeout errors, 345
 - timing control, 385, 390
 - Title key, 116
 - Trace
 - file type, 120
 - trace
 - destination, 136
 - points, 145
 - saving, 145
 - transfer data, 145
 - Trace + State
 - format, 130
 - key, 130
 - Trace + State trace type, 120
 - Trace 1 key, 131, 136
 - Trace 2 key, 132, 136
 - Trace 3 key, 132, 137
 - trace averaging, 402, 403
 - trace data format, 314
 - trace display, 154
 - trace format, 147
 - Trace key, 124, 289
 - trace points, 288
 - trace type
 - CSV, 120
 - Trace + State, 120
 - trace/view
 - menu map, 442
 - Trace/View front-panel key, 287
 - trig
 - menu map, 443
 - Trig Delay key, 303
 - TRIG front-panel key, 299
 - Trig Offset command, 304
 - Trig Slope key, 302
 - trigger
 - monitoring status of, 380
 - trigger measurement, 201
 - trigger polarity, gate, 245
 - trigger source
 - gate, 246, 247, 248
 - trigger, IEEE command, 389
 - turning markers off, 181
 - type
 - lower limit, 103
 - upper limit, 103
 - Type key, 103, 123, 129, 135, 139, 140, 142
- U**
- units parameter (commands), 312
 - unlocked hardware
 - monitoring status of, 381
 - upper, 103
 - upper limit, 103
 - user
 - correction, 52
 - User key, 255
 - User Preset key, 220
 - user's reference, using, 31
 - using external mixers, 158
- V**
- variable parameter (commands), 312
 - variables
 - angle parameter, 313
 - bit_data parameter, 313
 - degree parameter, 313
 - frequency parameter, 313
 - integer parameter, 312
 - parameters, 312
 - percent parameter, 313
 - phaseparameter, 313
 - power parameter, 313
 - relative power parameter, 313
 - string parameter, 313
 - time parameter, 313
 - voltage parameter, 313
 - VBW/RBW key, 76
 - VBW/RBW ratio, 76
 - VEE over socket LAN, 342
 - VEE, using it over LAN, 342
- video averaging, 79
- video bandwidth, adjusting, 75
 - Video BW, 75
 - Video BW key, 75
 - Video key, 300
 - Video Out connector functionality, 242
 - View key, 291
 - view of gate setup, 244
 - VISA libraries, 338
 - VISA library, 353, 355
 - Vision Impair 1 key, 277
 - Vision Impair 2 key, 278
 - voltage averaging, 79
 - Voltage Avg key, 82
 - voltage parameter (variables), 313
 - Volts key, 45
 - VSA versus PSA series (programming compatibility), 327
 - VTL, compiling and linking C language, 353
- W**
- wait, IEEE command, 390
 - Watts key, 45
 - windows
 - Marker Table, 185
- X**
- X Axis Units key, 114
- Y**
- Y Axis Units
 - dBm, 44
 - dBmV, 45
 - dBuV, 46, 47, 48
 - volts, 45
 - watts, 45
 - Y Axis Units key, 43
- Z**
- Zero Span key, 236

